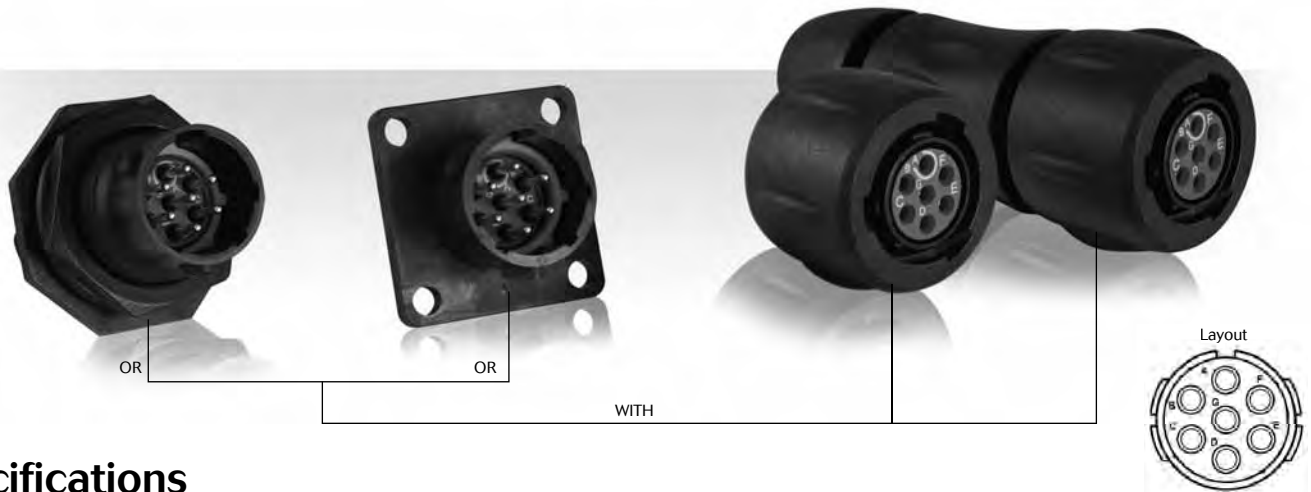


# UTS Series

## 10E7/10D7



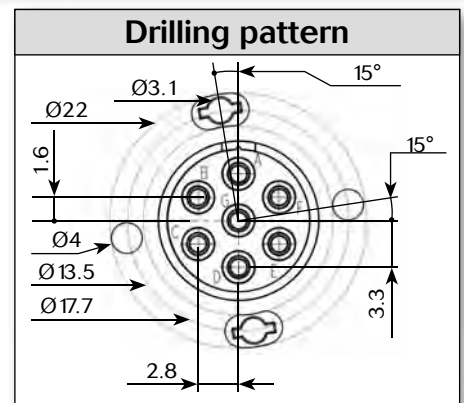
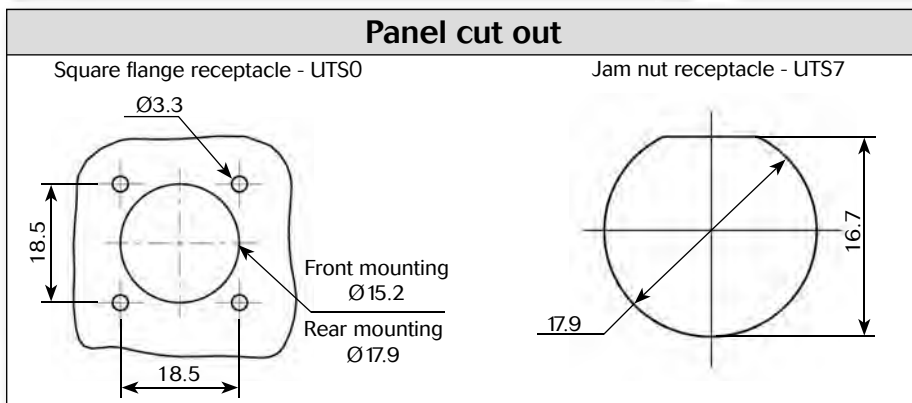
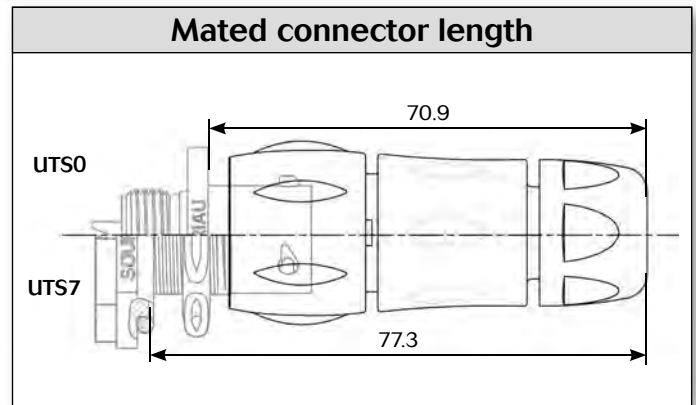
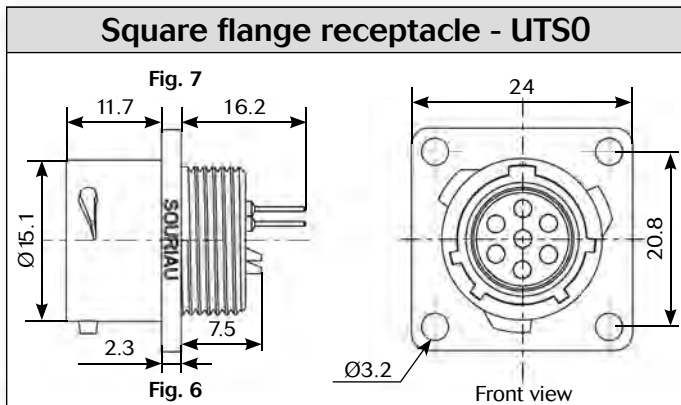
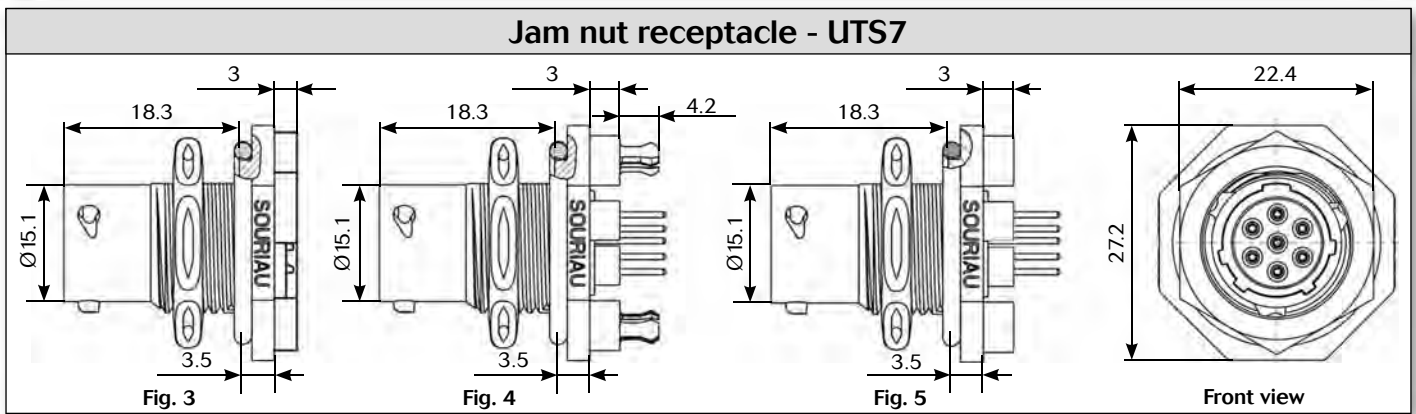
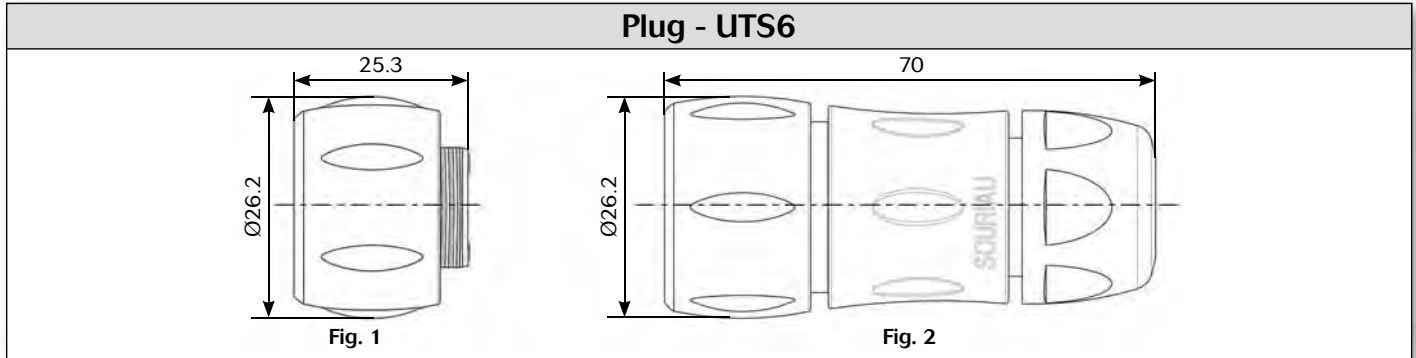
## Specifications

Contact type	Connector type	Backshell	Part number	
			Male insert	Female insert
Hand solder electrical contacts loaded	Square flange receptacle	Without (Fig.6)	UTS010E7P	UTS010E7S
	Plug	Without (Fig.1)	UTS610E7P	UTS610E7S
		Cable gland (Fig.2)	UTS6JC10E7P	UTS6JC10E7S
	Jam nut receptacle	Without (Fig.3)	UTS710E7P	UTS710E7S
PCB contacts loaded	Square flange receptacle	Without (Fig.7)	UTS010D7P	UTS010D7S
	Jam nut receptacle with stand off and with hold down clips	Without (Fig.4)	UTS710D7P32	UTS710D7S32
	Jam nut receptacle with stand off and without hold down clip	Without (Fig.5)	UTS710D7P	UTS710D7S

Sealed unmated



### Dimensions



Note: all dimensions are in mm



### Accessories

#### Jam nut sealing caps

Metal terminal

Part number
UTS10DCG

Part number
UTS10DCGR

#### Plug sealing cap

Part number
UTS610DCG

#### Square flange sealing cap

Metal terminal

Part number
UTS10DCGE

#### Plastic protective cap

Part numbers	
Receptacle cap	Plug cap
85005586A	85005595

#### Gasket

Part numbers / neoprene
UTFD12B

#### Color coding rings

G for Green  
Y for Yellow  
R for Red

Part numbers	
Receptacles	Plugs
UTS710CCR	UTS610CCR
UTS710CCRY	UTS610CCRY
UTS710CCRG	UTS610CCRG

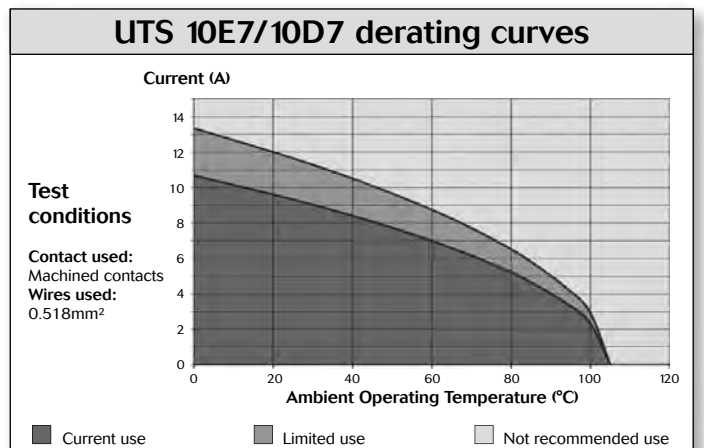
\* Add G for Green, Y for Yellow, R for Red

#### Electrical characteristics

**UL**  
6A 250V UL94 HB

**CSA**  
6A 250V UL94 HB

**IEC**  
7A 50V 1.5kV 3



# UTS Series

10E7/10D7

