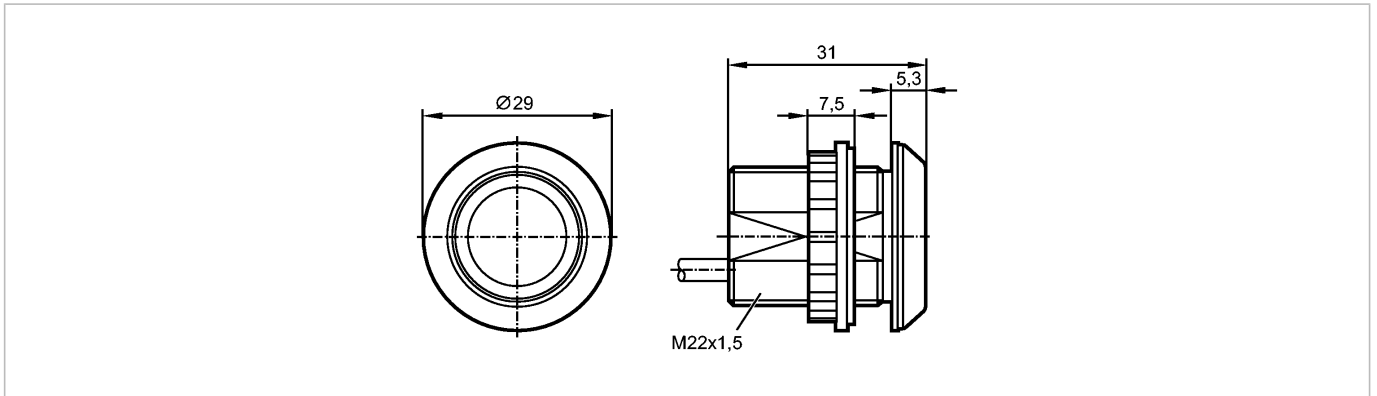




KT5110

KTMSF-KGRBPKG/2M

Touch sensors



Product characteristics

Touch sensor	
Plastic housing	
Cable	
Touch sensor with static evaluation principle	
Symbol disc to be ordered separately	
Green LED controllable	

Application

Principle of operation	static
------------------------	--------

Electrical data

Electrical design	DC PNP
Operating voltage [V]	24 DC (12...30 DC)
Current consumption [mA]	30
Protection class	III
Reverse polarity protection	yes

Outputs

Output function	normally open
Current rating [mA]	200
Short-circuit protection	yes
Overload protection	yes

Reaction times

Power-on delay time [ms]	500
Response time [ms]	35

Environment

Ambient temperature [°C]	-40...85
Protection	IP 65 / IP 67 / IP 69K; on the front

Tests / approvals

EMC	IEC 61000-4
-----	-------------

Mechanical data

Housing materials	PA66 GF30 black; actuating surface: Polyamide (Grilamid TR 90UV)
Weight [kg]	0.099

Displays / operating elements

Output status indication	LED	Red
Operation	LED	no



KT5110

KTMSF-KGRBPKG/2M

Touch sensors

Function display LED green (can be controlled via WH)

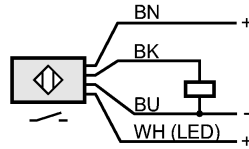
Electrical connection

Connection PUR cable / 2 m

Wiring

Core colours

BK black
BN brown
BU blue
WH white



Accessories

Accessories (included) 1 lock nut; Sealing ring

Accessories (optional) Symbol disc

Remarks

Pack quantity [piece] 1