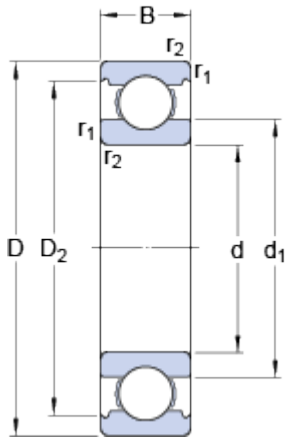


6212

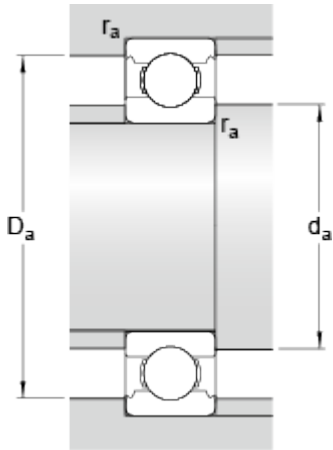
SKF Explorer

Dimensions



d		60	mm
D		110	mm
B		22	mm
d_1	≈	75.5	mm
D_2	≈	98	mm
$r_{1,2}$	min.	1.5	mm

Abutment dimensions



d_a	min.	69	mm
D_a	max.	101	mm
r_a	max.	1.5	mm

Calculation data

Basic dynamic load rating	C	55.3	kN
Basic static load rating	C_0	36	kN
Fatigue load limit	P_u	1.5	kN
Reference speed		13000	r/min
Limiting speed		8000	r/min
Calculation factor	k_r	0.025	
Calculation factor	f_0	14.3	

Mass

Mass bearing		0.78	kg
--------------	--	------	----