

Robert Bosch GmbH
Power Tools Division
70745 Leinfelden-Echterdingen
Germany

www.bosch-pt.com

1 619 929 J49 (2011.04) PS / 32 ASIA



1 619 929 J49

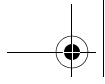
GBM Professional

13 | 13 RE

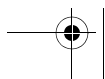
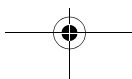
 **BOSCH**

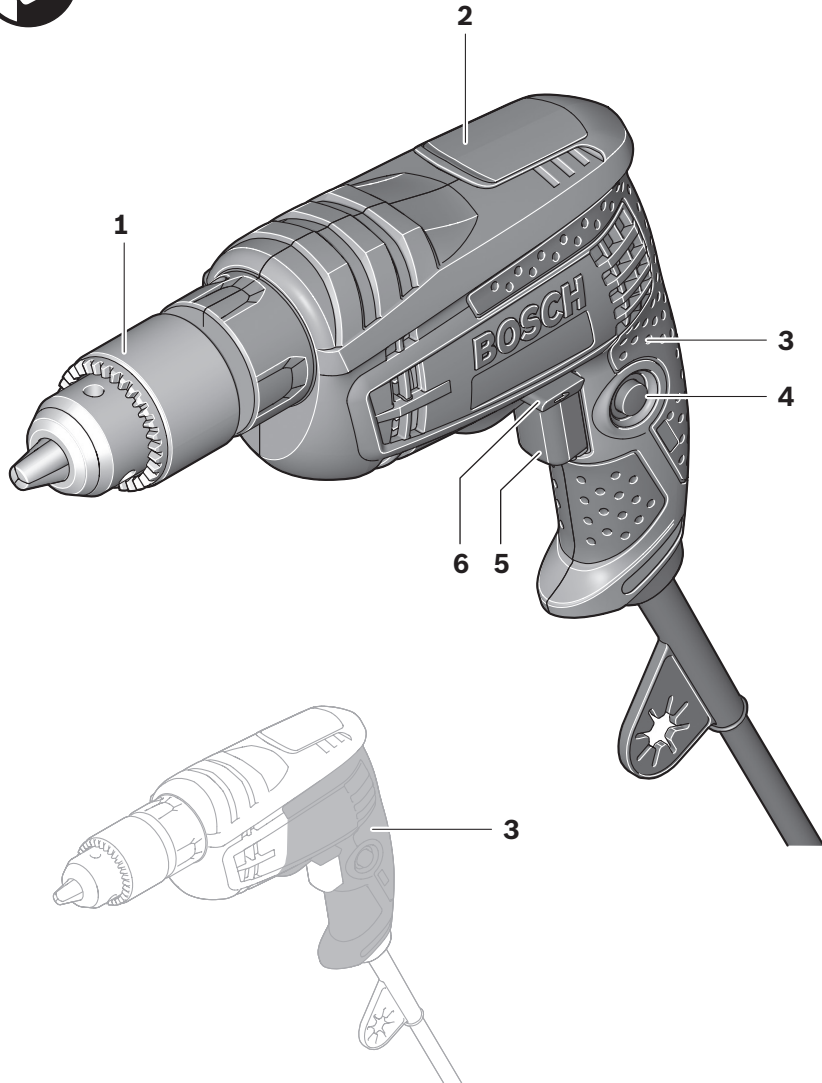
- us** Original operating instructions
- cn** 正本使用说明书
- tw** 正本使用說明書
- ko** 사용 설명서 원본
- th** หนังสือคู่มือการใช้งานฉบับต้นแบบ
- id** Petunjuk-Petunjuk untuk Penggunaan Orisinal
- vi** Bảng hướng dẫn nguyên bản





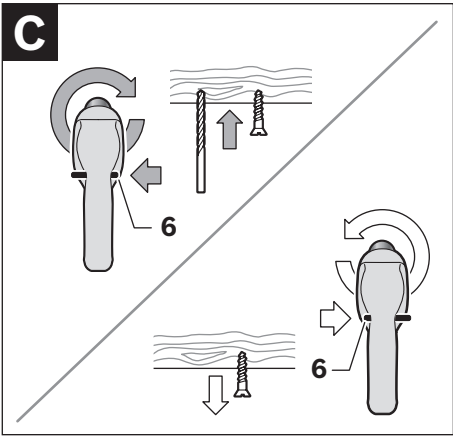
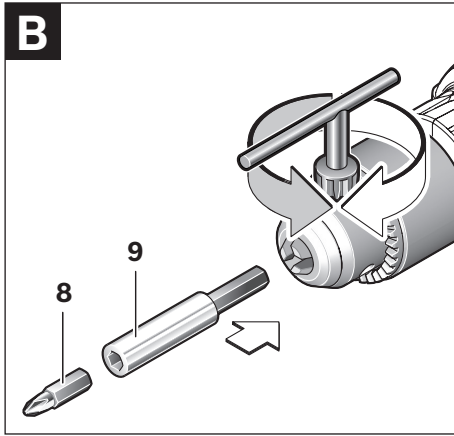
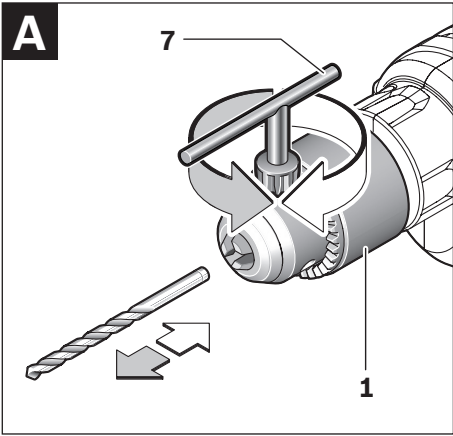
English	Page	5
中文	页	9
中文	頁	12
한국어	면	15
ภาษาไทย	หน้า	18
Bahasa Indonesia	Halaman	22
Tiếng Việt	Trang	26





**GBM 13 RE
Professional**

4 |



English

Safety Notes

General Power Tool Safety Warnings

⚠ WARNING Read all safety warnings and all instructions. Failure to follow the warnings and instructions may result in electric shock, fire and/or serious injury.

Save all warnings and instructions for future reference.

The term "power tool" in the warnings refers to your mains-operated (corded) power tool or battery-operated (cordless) power tool.

Work area safety

- ▶ **Keep work area clean and well lit.** Cluttered or dark areas invite accidents.
- ▶ **Do not operate power tools in explosive atmospheres, such as pipes, radiators, ranges and refrigerators.** Power tools create sparks which may ignite the dust or fumes.
- ▶ **Keep children and bystanders away while operating a power tool.** Distractions can cause you to lose control.

Electrical safety

- ▶ **Power tool plugs must match the outlet. Never modify the plug in any way. Do not use any adapter plugs with earthed (grounded) power tools.** Unmodified plugs and matching outlets will reduce risk of electric shock.
- ▶ **Avoid body contact with earthed or grounded surfaces, such as pipes, radiators, ranges and refrigerators.** There is an increased risk of electric shock if your body is earthed or grounded.
- ▶ **Do not expose power tools to rain or wet conditions.** Water entering a power tool will increase the risk of electric shock.
- ▶ **Do not abuse the cord. Never use the cord for carrying, pulling or unplugging the power tool. Keep cord away from heat, oil, sharp edges and moving parts.** Damaged or entangled cords increase the risk of electric shock.
- ▶ **When operating a power tool outdoors, use an extension cord suitable for outdoor use.** Use of a cord suitable for outdoor use reduces the risk of electric shock.
- ▶ **If operating a power tool in a damp location is unavoidable, use a residual current device (RCD) protected supply.** Use of an RCD reduces the risk of electric shock.

Personal safety

- ▶ **Stay alert, watch what you are doing and use common sense when operating a power tool. Do not use a power tool while you are tired or under the influence of drugs, alcohol or medication.** A moment of inattention while operating power tools may result in serious personal injury.
- ▶ **Use personal protective equipment. Always wear eye protection.** Protective equipment such as dust mask, non-skid safety shoes, hard hat, or hearing protection

used for appropriate conditions will reduce personal injuries.

- ▶ **Prevent unintentional starting. Ensure the switch is in the off-position before connecting to power source and/or battery pack, picking up or carrying the tool.** Carrying power tools with your finger on the switch or energising power tools that have the switch on invites accidents.
- ▶ **Remove any adjusting key or wrench before turning the power tool on.** A wrench or a key left attached to a rotating part of the power tool may result in personal injury.
- ▶ **Do not overreach. Keep proper footing and balance at all times.** This enables better control of the power tool in unexpected situations.
- ▶ **Dress properly. Do not wear loose clothing or jewellery. Keep your hair, clothing and gloves away from moving parts.** Loose clothes, jewellery or long hair can be caught in moving parts.
- ▶ **If devices are provided for the connection of dust extraction and collection facilities, ensure these are connected and properly used.** Use of dust collection can reduce dust-related hazards.

Power tool use and care

- ▶ **Do not force the power tool. Use the correct power tool for your application.** The correct power tool will do the job better and safer at the rate for which it was designed.
- ▶ **Do not use the power tool if the switch does not turn it on and off.** Any power tool that cannot be controlled with the switch is dangerous and must be repaired.
- ▶ **Disconnect the plug from the power source and/or the battery pack from the power tool before making any adjustments, changing accessories, or storing power tools.** Such preventive safety measures reduce the risk of starting the power tool accidentally.
- ▶ **Store idle power tools out of the reach of children and do not allow persons unfamiliar with the power tool or these instructions to operate the power tool.** Power tools are dangerous in the hands of untrained users.
- ▶ **Maintain power tools. Check for misalignment or binding of moving parts, breakage of parts and any other condition that may affect the power tool's operation. If damaged, have the power tool repaired before use.** Many accidents are caused by poorly maintained power tools.
- ▶ **Keep cutting tools sharp and clean.** Properly maintained cutting tools with sharp cutting edges are less likely to bind and are easier to control.
- ▶ **Use the power tool, accessories and tool bits etc. in accordance with these instructions, taking into account the working conditions and the work to be performed.** Use of the power tool for operations different from those intended could result in a hazardous situation.

Service

- ▶ **Have your power tool serviced by a qualified repair person using only identical replacement parts.** This will ensure that the safety of the power tool is maintained.

6 | English

Safety Warnings for Drills

- ▶ **Hold the tool by the insulated gripping surfaces when performing operations where the application tool or the screw could contact hidden wiring or its own power cord.** Contact with a "live" wire will also make exposed metal parts of the power tool "live" and shock the operator.
- ▶ **Use appropriate detectors to determine if utility lines are hidden in the work area or call the local utility company for assistance.** Contact with electric lines can lead to fire and electric shock. Damaging a gas line can lead to explosion. Penetrating a water line causes property damage.
- ▶ **Switch off the power tool immediately when the tool insert jams. Be prepared for high reaction torque that can cause kickback.** The tool insert jams when:
 - the power tool is subject to overload or
 - it becomes wedged in the workpiece.
- ▶ **Secure the workpiece.** A workpiece clamped with clamping devices or in a vice is held more secure than by hand.
- ▶ **Always wait until the machine has come to a complete stop before placing it down.** The tool insert can jam and lead to loss of control over the power tool.

Products sold in GB only: Your product is fitted with a BS 1363/A approved electric plug with internal fuse (ASTA approved to BS 1362).

If the plug is not suitable for your socket outlets, it should be cut off and an appropriate plug fitted in its place by an authorised customer service agent. The replacement plug should have the same fuse rating as the original plug.

The severed plug must be disposed of to avoid a possible shock hazard and should never be inserted into a mains socket elsewhere.

Products sold in AUS and NZ only: Use a residual current device (RCD) with a rated residual current of 30 mA or less.

Product Description and Specifications



Read all safety warnings and all instructions. Failure to follow the warnings and instructions may result in electric shock, fire and/or serious injury.

Intended Use

The machine is intended for drilling in wood, metal, ceramic and plastic. Machines with electronic control and right and left rotation are also suitable for screwdriving and tapping.

Product Features

The numbering of the product features refers to the illustration of the machine on the graphics page.

- 1 Key type drill chuck
- 2 Belt clip
- 3 Handle (insulated gripping surface)
- 4 Lock-on button for On/Off switch
- 5 On/Off switch

6 Rotational direction switch (GBM 13 RE)

7 Chuck key

8 Screwdriver bit*

9 Universal bit holder*

*Accessories shown or described are not part of the standard delivery scope of the product. A complete overview of accessories can be found in our accessories program.

Technical Data

Rotary drill		GBM 13 Professional	GBM 13 RE Professional
Article number		3 601 D77 0..	3 601 D77 5..
Rated power input	W	600	600
Output power	W	360	360
No-load speed	min ⁻¹	2600	0 – 2600
Rated speed	min ⁻¹	1676	1676
Rated torque	Nm	20	20
Spindle collar dia.	mm	43	43
Speed control		–	●
Right/left rotation		–	●
Max. drilling dia.			
– Steel	mm	13	13
– Wood	mm	30	30
– Aluminium	mm	13	13
Chuck clamping range	mm	1.5 – 13	1.5 – 13
Weight according to EPTA-Procedure 01/2003	kg	1.7	1.7
Protection class		□/II	□/II

The values given are valid for a nominal voltage [U] of 230 V. For different voltages and models for specific countries, these values can vary.

Please observe the article number on the type plate of your machine. The trade names of the individual machines may vary.

Assembly

Changing the Tool

- ▶ **Before any work on the machine itself, pull the mains plug.**
- ▶ **Wear protective gloves when changing the tool.** The drill chuck can become very hot during longer work periods.

Key Type Drill Chuck (see figure A)

Open the key type drill chuck **1** by turning until the tool can be inserted. Insert the tool.

Insert the chuck key **7** into the corresponding holes of the key type drill chuck **1** and clamp the tool uniformly.

Screwdriver Tools (see figure B)

When working with screwdriver bits **8**, a universal bit holder **9** should always be used. Use only screwdriver bits that fit the screw head.

Replacing the Drill Chuck

For power tools without spindle lock, the drill chuck must be replaced by an authorised after-sales service agent for Bosch power tools.



The drill chuck must be tightened with a tightening torque of approx. 31 – 35 Nm.

Dust/Chip Extraction

- ▶ Dusts from materials such as lead-containing coatings, some wood types, minerals and metal can be harmful to one's health. Touching or breathing-in the dusts can cause allergic reactions and/or lead to respiratory infections of the user or bystanders.

Certain dusts, such as oak or beech dust, are considered as carcinogenic, especially in connection with wood-treatment additives (chromate, wood preservative). Materials containing asbestos may only be worked by specialists.

- Provide for good ventilation of the working place.
- It is recommended to wear a P2 filter-class respirator.

Observe the relevant regulations in your country for the materials to be worked.

- ▶ **Prevent dust accumulation at the workplace.** Dusts can easily ignite.

Operation

Starting Operation

- ▶ **Observe correct mains voltage! The voltage of the power source must agree with the voltage specified on the nameplate of the machine. Power tools marked with 230 V can also be operated with 220 V.**

Reversing the Rotational Direction (GBM 13 RE) (see figure C)

The rotational direction switch **6** is used to reverse the rotational direction of the machine. However, this is not possible with the On/Off switch **5** actuated.

Right Rotation: For drilling and driving in screws, push the rotational direction switch **6** left to the stop.

Left Rotation: For loosening and unscrewing screws and nuts, press the rotational direction switch **6** through to the right stop.

Switching On and Off

To **start** the machine, press the On/Off switch **5** and keep it pressed.

To lock the **pressed** On/Off switch **5**, press the lock-on button **4**.

To **switch off** the machine, release the On/Off switch **5** or when it is locked with the lock-on button **4**, briefly press the On/Off switch **5** and then release it.

Adjusting the Speed (GBM 13 RE)

The speed of the switched on power tool can be variably adjusted, depending on how far the On/Off switch **5** is pressed.

Light pressure on the On/Off switch **5** results in a low rotational speed. Further pressure on the switch results in an increase in speed.

Working Advice

- ▶ **Apply the power tool to the screw/nut only when it is switched off.** Rotating tool inserts can slip off.

For drilling in metal, use only perfectly sharpened HSS drill bits (HSS = high-speed steel). The appropriate quality is guaranteed by the Bosch accessories program.

Twist drills from 2.5 – 10 mm can easily be sharpened with the drill bit sharpener (see accessories).

Belt Clip

With the belt clip **2**, the machine can be hung onto a belt. The user has both hands free and the machine is always at hand.

Maintenance and Service

Maintenance and Cleaning

- ▶ **Before any work on the machine itself, pull the mains plug.**
- ▶ **For safe and proper working, always keep the machine and ventilation slots clean.**

If the replacement of the supply cord is necessary, this has to be done by Bosch or an authorized Bosch service agent in order to avoid a safety hazard.

If the machine should fail despite the care taken in manufacturing and testing procedures, repair should be carried out by an after-sales service centre for Bosch power tools.

In all correspondence and spare parts order, please always include the 10-digit article number given on the type plate of the machine.

After-sales Service and Customer Assistance

Our after-sales service responds to your questions concerning maintenance and repair of your product as well as spare parts. Exploded views and information on spare parts can also be found under:

www.bosch-pt.com

Our customer service representatives can answer your questions concerning possible applications and adjustment of products and accessories.

People's Republic of China

China Mainland

Bosch Power Tools (China) Co., Ltd.
567, Bin Kang Road
Bin Jiang District 310052
Hangzhou, P. R. China
Service Hotline: 400 826 8484
Fax: +86 571 8777 4502
E-Mail: contact.ptcn@cn.bosch.com
www.bosch-pt.com.cn

8 | English**HK and Macau Special Administrative Regions**

Robert Bosch Hong Kong Co. Ltd.
 21st Floor, 625 King's Road
 North Point, Hong Kong
 Customer Service Hotline: +852 (21) 02 02 35
 Fax: +852 (25) 90 97 62
 E-Mail: info@hk.bosch.com
 www.bosch-pt.com.hk

Indonesia

PT. Multi Tehaka
 Kawasan Industri Pulogadung
 Jalan Rawa Gelam III No. 2
 Jakarta 13930
 Indonesia
 Tel.: +62 (21) 46 83 25 22
 Fax: +62 (21) 46 82 86 45/68 23
 E-Mail: sales@multitehaka.co.id
 www.multitehaka.co.id

Philippines

Robert Bosch, Inc.
 28th Floor Fort Legend Towers,
 3rd Avenue corner 31st Street,
 Fort Bonifacio Global City,
 1634 Taguig City, Philippines
 Tel.: +63 (2) 870 3871
 Fax: +63 (2) 870 3870
 matheus.contiero@ph.bosch.com
 www.bosch-pt.com.ph

Bosch Service Center:
 9725-27 Kamagong Street
 San Antonio Village
 Makati City, Philippines
 Tel.: +63 (2) 899 9091
 Fax: +63 (2) 897 6432
 rosalie.dagdagan@ph.bosch.com

Malaysia

Robert Bosch (S.E.A.) Pte. Ltd.
 No. 8A, Jalan 13/6
 G.P.O. Box 10818
 46200 Petaling Jaya
 Selangor, Malaysia
 Tel.: +60 (3) 7966 3194
 Fax: +60 (3) 7958 3838
 cheehoe.on@my.bosch.com
 Toll-Free: 1800 880 188
 www.bosch-pt.com.my

Thailand

Robert Bosch Ltd.
 Liberty Square Building
 No. 287, 11 Floor
 Silom Road, Bangrak
 Bangkok 10500
 Tel.: +66 (2) 6 31 18 79 – 18 88 (10 lines)
 Fax: +66 (2) 2 38 47 83
 Robert Bosch Ltd., P. O. Box 2054
 Bangkok 10501, Thailand

Bosch Service – Training Centre
 2869-2869/1 Soi Ban Kluay
 Rama IV Road (near old Paknam Railway)
 Prakanong District
 10110 Bangkok
 Thailand
 Tel.: +66 (2) 6 71 78 00 – 4
 Fax: +66 (2) 2 49 42 96
 Fax: +66 (2) 2 49 52 99

Singapore

Robert Bosch (SEA) Pte. Ltd.
 11 Bishan Street 21
 Singapore 573943
 Tel.: +65 6571 2772
 Fax: +65 6350 5315
 leongheng.leow@sg.bosch.com
 Toll-Free: 1800 333 8333
 www.bosch-pt.com.sg

Vietnam

Robert Bosch Vietnam Co. Ltd
 10/F, 194 Golden Building
 473 Dien Bien Phu Street
 Ward 25, Binh Thanh District
 84 Ho Chi Minh City
 Vietnam
 Tel.: +84 (8) 6258 3690 ext. 413
 Fax: +84 (8) 6258 3692
 hieu.lagia@vn.bosch.com
 www.bosch-pt.com

Australia, New Zealand and Pacific Islands

Robert Bosch Australia Pty. Ltd.
 Power Tools
 Locked Bag 66
 Clayton South VIC 3169
 Customer Contact Center
 Inside Australia:
 Phone: +61 (01300) 307 044
 Fax: + 61 (01300) 307 045
 Inside New Zealand:
 Phone: +64 (0800) 543 353
 Fax: +64 (0800) 428 570
 Outside AU and NZ:
 Phone: +61 (03) 9541 5555
 www.bosch.com.au

Disposal

The machine, accessories and packaging should be sorted for environmental-friendly recycling.

Do not dispose of power tools into household waste!

Subject to change without notice.

中文

安全规章

电动工具通用安全警告

警告 阅读所有警告和所有说明！不遵照以下警告和说明会导致电击、着火和 / 或严重伤害。

保存所有警告和说明书以备查阅。

在所有下列的警告中术语“电动工具”指市电驱动（有线）电动工具或电池驱动（无线）电动工具。

工作场地的安全

- ▶ 保持工作场地清洁和明亮。混乱和黑暗的场地会引发事故。
- ▶ 不要在易爆环境，如有易燃液体、气体或粉尘的环境下操作电动工具。电动工具产生的火花会点燃粉尘或气体。
- ▶ 让儿童和旁观者离开后操作电动工具。注意力不集中会使你失去对工具的控制。

电气安全

- ▶ 电动工具插头必须与插座相配。绝不能以任何方式改装插头。需接地的电动工具不能使用任何转换插头。未经改装的插头和相配的插座将减少电击危险。
- ▶ 避免人体接触接地表面，如管道、散热片和冰箱。如果你身体接地会增加电击危险。
- ▶ 不得将电动工具暴露在雨中或潮湿环境中。水进入电动工具将增加电击危险。
- ▶ 不得滥用电线。绝不能用电线搬运、拉动电动工具或拔出其插头。使电线远离热源、油、锐边或运动部件。受损或缠绕的软线会增加电击危险。
- ▶ 当在户外使用电动工具时，使用适合户外使用的外接软线。适合户外使用的软线将减少电击危险。
- ▶ 如果在潮湿环境下操作电动工具是不可避免的，应使用剩余电流动作保护器（RCD）。使用 RCD 可减小电击危险。

人身安全

- ▶ 保持警觉，当操作电动工具时关注所从事的操作并保持清醒。当你感到疲倦，或在有药物、酒精或治疗反应时，不要操作电动工具。在操作电动工具时瞬间的疏忽会导致严重人身伤害。
- ▶ 使用个人防护装置。始终佩戴护目镜。安全装置，诸如适当条件下使用防尘面具、防滑安全鞋、安全帽、听力防护等装置能减少人身伤害。
- ▶ 防止意外起动。确保开关在连接电源和 / 或电池盒、拿起或搬运工具时处于关断位置。手指放在已接通电源的开关上或开关处于接通时插入插头可能会导致危险。

- ▶ 在电动工具接通之前，拿掉所有调节钥匙或扳手。遗留在电动工具旋转零件上的扳手或钥匙会导致人身伤害。
- ▶ 手不要伸展得太长。时刻注意立足点和身体平衡。这样在意外情况下能很好地控制电动工具。
- ▶ 着装适当。不要穿宽松衣服或佩戴饰品。让你的衣服、手套和头发远离运动部件。宽松衣服、佩饰或长发可能会卷入运动部件中。
- ▶ 如果提供了与排屑、集尘设备连接用的装置，要确保他们连接完好且使用得当。使用这些装置可减少尘屑引起的危险。

电动工具使用和注意事项

- ▶ 不要滥用电动工具，根据用途使用适当的电动工具。选用适当设计的电动工具会使你工作更有效、更安全。
- ▶ 如果开关不能接通或关断工具电源，则不能使用该电动工具。不能用开关来控制的电动工具是危险的且必须进行修理。
- ▶ 在进行任何调节、更换附件或贮存电动工具之前，必须从电源上拔掉插头和 / 或使电池盒与工具脱开。这种防护性措施将减少工具意外起动的危险。
- ▶ 将闲置不用的电动工具贮存在儿童所及范围之外，并且不要让不熟悉电动工具或对这些说明不了解的人操作电动工具。电动工具在未经培训的用户手中是危险的。
- ▶ 保养电动工具。检查运动件是否调整到位或卡住，检查零件破损情况和影响电动工具运行的其他状况。如有损坏，电动工具应在使用前修理好。许多事故由维护不良的电动工具引发。
- ▶ 保持切削刀具锋利和清洁。保养良好的有锋利切削刃的刀具不易卡住而且容易控制。
- ▶ 按照使用说明书，考虑作业条件和进行的作业来使用电动工具、附件和工具的刀头等。将电动工具用于那些与其用途不符的操作可能会导致危险。

维修

- ▶ 将你的电动工具送交专业维修人员，使用同样的备件进行修理。这样将确保所维修的电动工具的安全性。

针对电钻的安全规章

- ▶ 工作时如果安装在机器上的工具或螺丝可能切断隐藏的电线或机器本身的电源线，一定要握住绝缘手柄操作电动工具。安装在机器上的工具如果接触了带电的线路，机器上的金属部件会导电，可能造成操作者触电。
- ▶ 使用合适的侦测器，以便找出隐藏著的电源线的位。或者向当地的供电单位索取相关资料。钻穿电线会造成火灾并遭受电击。损坏瓦斯管会引起爆炸。如果水管被刺穿了会导致财物损失。
- ▶ 如果安装在机器上的工具被夹住了，必须马上关闭电动工具并保持镇静。此时机器会产生极高的反动力

10 | 中文

矩，並进而造成回击。安装在机器上的工具容易被夹住如果：

- 电动工具超荷了，或者
- 安装在机器上的工具在工件中歪斜了。

- ▶ **固定好工件。**使用固定装置或老虎钳固定工件，会比用手紧握工件更牢固。
- ▶ **等待电动工具完全静止后才能够放下机器。**机器上的工具可能在工作中被夹住，而令您无法控制电动工具。

产品和功率描述



阅读所有的警告提示和指示。如未确实遵循警告提示和指示，可能导致电击、火灾並且 / 或其他的严重伤害。

按照规定使用机器

本电动工具可以在木材、金属、陶材和塑料上钻孔。配备电子调节装置和正 / 逆转开关的机器也可以拧入 / 拧出螺丝或攻丝。

插图上的机件

机件的编号和电动工具详解图上的编号一致。

- 1 齿环夹头
- 2 腰带夹
- 3 手柄（绝缘握柄）
- 4 起停开关的锁紧键
- 5 起停开关
- 6 正逆转开关 (GBM 13 RE)
- 7 夹头扳手
- 8 螺丝批嘴*
- 9 通用批嘴连杆*

*图表或说明上提到的附件，并不包含在基本的供货范围中。本公司的附件清单中有完整的附件供应项目。

技术数据

电钻	GBM 13 Professional	GBM 13 RE Professional
物品代码	3 601 D77 0..	3 601 D77 5..
额定输入功率	瓦	600
输出功率	瓦	360
无负载转速	次 / 分	2600
额定转速	次 / 分	1676
额定扭力	牛頓米	20

本说明书提供的参数是以 230 V 为依据，於低电压地区，此数据有可能不同。

请认清电动工具铭牌上的物品代码。电动工具在销售市场上没有统一的商品名称。

电钻	GBM 13 Professional	GBM 13 RE Professional
主轴颈直径	毫米	43
转速控制装置		— ●
正 / 逆转功能		— ●
最大钻孔直径		
- 钢	毫米	13
- 木材	毫米	30
- 铝	毫米	13
夹头的夹紧范围	毫米	1,5 - 13
重量符合 EPTA-Procedure 01/2003	公斤	1,7
绝缘等级		□/II □/II

本说明书提供的参数是以 230 V 为依据，於低电压地区，此数据有可能不同。

请认清电动工具铭牌上的物品代码。电动工具在销售市场上没有统一的商品名称。

安装

更换工具

- ▶ **维修电动工具或换装零、配件之前，务必从插座上拔出插头。**
- ▶ **更换工具时必须佩戴手套。**长期工作之后夹头会变得十分炽热。

齿环夹头（参考插图 A）

转动齿环夹头 1 至能够装入工具为止，安装好工具。

把夹头扳手 7 插入夹头 1 上的收紧孔中，並正确地夹紧工具。

起子机的工具（参考插图 B）

以螺丝批嘴 8 作业时，一定要使用通用批嘴连杆 9。只能选用能够配合螺丝头的螺丝批嘴。

更换夹头

如果电动工具本身没有主轴锁定功能。更换夹头的工作必须交给经过授权的博世电动工具客户服务处执行。



使用约 31-35 牛頓米的拉紧扭力拧紧夹头。

吸锯尘 / 吸锯屑

- ▶ 含铅的颜料以及某些木材、矿物和金属的加工废尘有害健康。机器操作者或者工地附近的人如果接触、吸入这些废尘，可能会有过敏反应或者感染呼吸道疾病。

某些尘埃（例如加工橡木或山毛榉的废尘）可能致癌，特别是和处理木材的添加剂（例如木材的防腐剂等）结合之后。只有经过专业训练的人才能够加工含石棉的物料。

- 工作场所要保持空气流通。
- 最好佩戴 P2 滤网等级的口罩。

请留心并遵守贵国和加工物料有关的法规。

- ▶ **避免让工作场所堆积过多的尘垢。** 尘埃容易被点燃。

操作

操作机器

- ▶ **注意电源的电压！电源的电压必须和电动工具铭牌上标示的电压一致。**

改变转向 (GBM 13 RE) (参考插图 C)

使用正逆转开关 **6** 可以改变机器的转向。如果按住了起停开关 **5**，则无法改变转向。

正转：适用于正常钻和转紧螺丝时，把正逆转开关 **6** 向左推到底。

逆转：适用于放鬆 / 转出螺丝和螺母，把正逆转开关 **6** 向右推到底。

开动 / 关闭

操作电动工具 时先按下电动工具的起停开关 **5**，并持续按著。

按下锁紧键 **4** 即可**锁定**被按住的起停开关 **5**。

放开起停开关 **5** 即可**关闭**电动工具。如果起停开关被锁紧键 **4** 固定了，先按下起停开关 **5** 并随即将其放开。

调整转速 (GBM 13 RE)

你可以无级式调整转速，把起停开关 **5** 按得越紧，转速就越快。

轻按起停开关 **5** 机器以低转速运转。逐渐在开关上加压，转速也会跟著提高。

有关操作方式的指点

- ▶ **先关闭电动工具，然后再把工具放置在螺母/螺丝上。** 安装在接头上的工具如果仍继续转动，容易从螺丝头上滑开。

在金属上钻孔时只能使用完好，经过研磨的 HSS 钻头 (HSS = 高效率高速钢)。在博世的附件产品系列中，有符合这个品质等级的产品。

使用钻头研磨器 (参考附件)，可轻易地补磨 2,5-10 毫米的麻花钻头。

腰带夹

使用腰带夹 **2** 可以把电动工具挂在腰带上。不但能够空出双手而且电动工具也随手可即。

维修和服务

维修和清洁

- ▶ **维修电动工具或换装零、配件之前，务必从插座上拔出插头。**

- ▶ **电动工具和通风间隙都必须保持清洁，这样才能够提高工作品质 and 安全性。**

如果必须更换连接线，务必把这项工作交给博世或者经授权的博世电动工具顾客服务执行，以避免危害机器的安全性能。

本公司生产的电动工具都经过严密的品质检验，如果机器仍然发生故障，请将机器交给博世电动工具公司授权的顾客服务处修理。

询问和订购备件时，务必提供机器铭牌上标示的 10 位数物品代码。

顾客服务处和顾客咨询中心

本公司顾客服务处负责回答有关本公司产品的修理，维护和备件的问题。以下的网页中有爆炸图和备件的资料：

www.bosch-pt.com

博世顾客咨询团队非常乐意为您解答有关购买，使用和设定本公司产品及附件的问题。

有关保证，维修或更换零件事宜，请向合格的经销商查询。

中国大陆

博世电动工具 (中国) 有限公司

中国 浙江省 杭州市

滨江区滨康路 567 号

邮政编码：310052

免费服务热线：400 826 8484

传真：+86 571 8777 4502

电邮：contact.ptcn@cn.bosch.com

www.bosch-pt.com.cn

羅伯特·博世有限公司

香港北角英皇道 625 號 21 樓

客戶服務熱線：+852 (21) 02 02 35

傳真：+852 (25) 90 97 62

電郵：info@hk.bosch.com

網站：www.bosch-pt.com.hk

制造商地址：

羅伯特博世有限公司

營業範圍電動工具

郵箱號碼 100156

70745 Leinfelden-Echterdingen (萊菲登 - 艾希德登)

Deutschland (德國)

处理废弃物

必须以符合环保的方式，回收再利用损坏的机器、附件和废弃的包装材料。

不可以把电动工具丢入家庭垃圾中！

保留修改权。

中文

安全規章

電動工具通用安全警告

警告 閱讀所有警告和所有說明。不遵照以下警告和說明會導致電擊、著火和/或嚴重傷害。

保存所有警告和說明書以備查閱。

在所有下列的警告中術語 " 電動工具 " 指市電驅動 (有線) 電動工具或電池驅動 (無線) 電動工具。

工作場地的安全

- ▶ 保持工作場地清潔和明亮。混亂和黑暗的場地會引發事故。
- ▶ 不要在易爆環境，如有易燃液體、氣體或粉塵的環境下操作電動工具。電動工具產生的火花會點燃粉塵或氣體。
- ▶ 讓兒童和旁觀者離開後操作電動工具。注意力不集中會使你失去對工具的控制。

電氣安全

- ▶ 電動工具插頭必須與插座相配。絕不能以任何方式改裝插頭。需接地的電動工具不能使用任何轉換插頭。未經改裝的插頭和相配的插座將減少電擊危險。
- ▶ 避免人體接觸接地表面，如管道、散熱片和冰箱。如果你身體接地會增加電擊危險。
- ▶ 不得將電動工具暴露在雨中或潮濕環境中。水進入電動工具將增加電擊危險。
- ▶ 不得濫用電線。絕不能用電線搬運、拉動電動工具或拔出其插頭。使電線遠離熱源、油、銳邊或運動部件。受損或纏繞的軟線會增加電擊危險。
- ▶ 當在戶外使用電動工具時，使用適合戶外使用的外接軟線。適合戶外使用的軟線，將減少電擊危險。
- ▶ 如果在潮濕環境下操作電動工具是不可避免的，應使用剩餘電流動作保護器 (RCD)。使用 RCD 可減少電擊危險。

人身安全

- ▶ 保持警覺，當操作電動工具時關注所從事的操作並保持清醒。當你感到疲倦，或在有藥物、酒精或治療反應時，不要操作電動工具。在操作電動工具時瞬間的疏忽會導致嚴重人身傷害。
- ▶ 使用個人防護裝置。始終佩戴護目鏡。安全裝置，諸如適當條件下使用防塵面具、防滑安全鞋、安全帽、聽力防護等裝置能減少人身傷害。
- ▶ 防止意外起動。確保開關在連接電源和 / 或電池盒、拿起或搬運工具時處於關斷位置。手指放在已接通電源的開關上或開關處於接通時插入插頭可能會導致危險。

- ▶ 在電動工具接通之前，拿掉所有調節鑰匙或扳手。遺留在電動工具旋轉零件上的扳手或鑰匙會導致人身傷害。
- ▶ 手不要伸展得太長。時刻注意立足點和身體平衡。這樣在意外情況下能很好地控制電動工具。
- ▶ 著裝適當。不要穿寬鬆衣服或佩戴飾品。讓你的衣服、手套和頭髮遠離運動部件。寬鬆衣服、佩飾或長髮可能會捲入運動部件中。
- ▶ 如果提供了與排屑、集塵設備連接用的裝置，要確保他們連接完好且使用得當。使用這些裝置可減少塵屑引起的危險。

電動工具使用和注意事項

- ▶ 不要濫用電動工具，根據用途使用適當的電動工具。選用適當設計的電動工具會使你工作更有效、更安全。
- ▶ 如果開關不能接通或關斷工具電源，則不能使用該電動工具。不能用開關來控制的電動工具是危險的且必須進行修理。
- ▶ 在進行任何調節、更換附件或貯存電動工具之前，必須從電源上拔掉插頭和 / 或使電池盒與工具脫開。這種防護性措施將減少工具意外起動的危險。
- ▶ 將閒置不用的電動工具貯存在兒童所及範圍之外，並且不要讓不熟悉電動工具或對這些說明不瞭解的人操作電動工具。電動工具在未經培訓的用戶手中是危險的。
- ▶ 保養電動工具。檢查運動件是否調整到位或卡住，檢查零件破損情況和影響電動工具運行的其他狀況。如有損壞，電動工具應在使用前修理好。許多事故由維護不良的電動工具引發。
- ▶ 保持切削刀具鋒利和清潔。保養良好的有鋒利切削刀的刀具不易卡住而且容易控制。
- ▶ 按照使用說明書，考慮作業條件和進行的作業來使用電動工具、附件和工具的刀頭等。將電動工具用於那些與其用途不符的操作可能會導致危險。

檢修

- ▶ 將你的電動工具送交專業維修人員，必須使用同樣的備件進行更換。這樣將確保所維修的電動工具的安全性。

針對電鑽的安全規章

- ▶ 工作時如果安裝在機器上的工具或螺絲可能割斷隱藏的電線或機器本身的電源線，一定要握住絕緣手柄操作電動工具。安裝在機器上的工具如果接觸了帶電的線路，機器上的金屬部件會導電，可能造成操作者觸電。
- ▶ 使用合適的偵測器，以便找出隱藏著的電源線的位置。或者向當地的供電單位索取相關資料。鑽穿電線會造成火災並遭受電擊。損壞瓦斯管會引起爆炸。如果水管被刺穿了會導致財物損失。

- ▶ 如果安裝在機器上的工具被夾住了，必須馬上關閉電動工具並保持鎮靜。此時機器會產生極高的反應力矩，並進而造成回擊。安裝在機器上的工具容易被夾住如果：
 - 電動工具超荷了，或者
 - 安裝在機器上的工具在工件中歪斜了。
- ▶ 固定好工件。使用固定裝置或老虎鉗固定工件，會比用手持握工件更牢固。
- ▶ 等待電動工具完全靜止後才能夠放下機器。機器上的工具可能在工作中被夾住，而令您無法控制電動工具。

產品和功率描述



閱讀所有的警告提示和指示。如未確實遵循警告提示和指示，可能導致電擊、火災並且 / 或其他的嚴重傷害。

按照規定使用機器

本電動工具可以在木材、金屬、陶材和塑料上鑽孔。配備電子調節裝置和正 / 逆轉開關的機器也可以擰入 / 擰出螺絲或攻絲。

插圖上的機件

機件的編號和電動工具詳解圖上的編號一致。

- 1 齒環夾頭
- 2 腰帶夾
- 3 手柄（絕緣握柄）
- 4 起停開關的鎖緊鍵
- 5 起停開關
- 6 正逆轉開關 (GBM 13 RE)
- 7 夾頭扳手
- 8 螺絲批嘴*
- 9 通用批嘴連桿*

*圖表或說明上提到的附件，並不包含在基本的供貨範圍中。本公司的附件清單中有完整的附件供應項目。

技術性數據

電鑽	GBM 13 Professional	GBM 13 RE Professional
物品代碼	3 601 D77 0..	3 601 D77 5..
額定輸入功率	瓦	600
輸出功率	瓦	360
無負載轉速	次 / 分	2600
額定轉速	次 / 分	1676

本說明書提供的參數是以 230 伏特為依據，於低電壓地區，此數據有可能不同。

請認清電動工具銘牌上的物品代碼。電動工具在銷售市場上沒有統一的商品名稱。

電鑽	GBM 13 Professional	GBM 13 RE Professional
額定扭力	牛頓米	20
主軸頸直徑	毫米	43
轉速控制裝置		●
正 / 逆轉功能		●
最大鑽孔直徑		
- 鋼	毫米	13
- 木材	毫米	30
- 鋁	毫米	13
夾頭的夾緊範圍	毫米	1,5 - 13
重量符合 EPTA-Procedure 01/2003	公斤	1,7
絕緣等級		II

本說明書提供的參數是以 230 伏特為依據，於低電壓地區，此數據有可能不同。

請認清電動工具銘牌上的物品代碼。電動工具在銷售市場上沒有統一的商品名稱。

安裝

更換工具

- ▶ 維修電動工具或換裝零、配件之前，務必從插座上拔出插頭。
- ▶ 更換工具時必須佩戴手套。長期工作之後夾頭會變得十分熾熱。

齒環夾頭（參考插圖 A）

轉動齒環夾頭 1 至能夠裝入工具為止，安裝好工具。

把夾頭扳手 7 插入夾頭 1 上的收緊孔中，並正確地夾緊工具。

起子機的工具（參考插圖 B）

以螺絲批嘴 8 作業時，一定要使用通用批嘴連桿 9。只能選用能夠配合螺絲頭的螺絲批嘴。

更換夾頭

如果電動工具本身沒有主軸鎖定功能。更換夾頭的工作必須交給經過授權的博世電動工具客戶服務處執行。



使用約 31 - 35 牛頓米的拉緊扭力擰緊夾頭。

吸鋸塵 / 吸鋸屑

- ▶ 含鉛的顏料以及某些木材、礦物和金屬的加工廢塵有害健康。機器操作者或者工地附近的人如果接觸、吸入這些廢塵，可能會有過敏反應或者感染呼吸道疾病。

某些塵埃（例如加工橡木或山毛櫸的廢塵）可能致癌，特別是和處理木材的添加劑（例如木材的防腐

14 | 中文

劑等) 結合之後。只有經過專業訓練的人才能夠加工含石棉的物料。

- 工作場所要保持空氣流通。
- 最好佩戴 P2 濾網等級的口罩。

請留心並遵守貴國和加工物料有關的法規。

- ▶ **避免讓工作場所堆積過多的塵垢。** 塵埃容易被點燃。

操作

操作機器

- ▶ **注意電源的電壓！** 電源的電壓必須和電動工具銘牌上標示的電壓一致。

改變轉向 (GBM 13 RE) (參考插圖 C)

使用正逆轉開關 6 可以改變機器的轉向。如果按住了起停開關 5，則無法改變轉向。

正轉：適用於正常鑽和轉緊螺絲時，把正逆轉開關 6 向左推到底。

逆轉：適用於放鬆 / 轉出螺絲和螺母，把正逆轉開關 6 向右推到底。

開動 / 關閉

操作電動工具時先按下電動工具的起停開關 5，並持續按著。

按下鎖緊鍵 4 即可鎖定被按住的起停開關 5。

放開起停開關 5 即可關閉電動工具。如果起停開關被鎖緊鍵 4 固定了，先按下起停開關 5 並隨即將其放開。

調整轉速 (GBM 13 RE)

你可以無級式調整轉速，把起停開關 5 按得越緊，轉速就越快。

輕按起停開關 5 機器以低轉速運轉。逐漸在開關上加壓，轉速也會跟著提高。

有關操作方式的指點

- ▶ **先關閉電動工具，然后再把工具放置在螺母 / 螺絲上。** 安裝在接頭上的工具如果仍繼續轉動，容易從螺絲頭上滑開。

在金屬上鑽孔時只能使用完好，經過研磨的 HSS 鑽頭 (HSS = 高效率高速鋼)。在博世的附件產品系列中，有符合這個品質等級的產品。

使用鑽頭研磨器 (參考附件)，可輕易地補磨 2,5-10 毫米的麻花鑽頭。

腰帶夾

使用腰帶夾 2 可以把電動工具掛在腰帶上。不但能夠空出雙手而且電動工具也隨手可即。

維修和服務

維修和清潔

- ▶ **維修電動工具或換裝零、配件之前，務必從插座上拔出插頭。**
- ▶ **電動工具和通風間隙都必須保持清潔，這樣才能夠提高工作品質和安全性。**

如果必須更換連接線，務必把這項工作交給博世或者經授權的博世電動工具顧客服務執行，以避免危害機器的安全性能。

本公司生產的電動工具都經過嚴密的品質檢驗，如果機器仍然發生故障，請將機器交給博世電動工具公司授權的顧客服務處修理。

詢問和訂購備件時，務必提供機器銘牌上標示的 10 位數物品代碼。

顧客服務處和顧客諮詢中心

本公司顧客服務處負責回答有關本公司產品的修理，維護和備件的問題。以下的網頁中有爆炸圖和備件的資料：
www.bosch-pt.com

博世顧客諮詢團隊非常樂意為您解答有關購買，使用和設定本公司產品及附件的問題。

台灣

台灣羅伯特博世股份有限公司
建國北路一段 90 號 6 樓
台北市 10491
電話：+886 (2) 2515 5388
傳真：+886 (2) 2516 1176
www.bosch-pt.com.tw

制造商地址：

羅伯特博世有限公司
營業範圍電動工具
郵箱號碼 100156
70745 Leinfelden-Echterdingen (萊菲登-艾希德登)
Deutschland (德國)

處理廢棄物

必須以符合環保的方式，回收再利用損壞的機器、附件和廢棄的包裝材料。

不可以把電動工具丟入家庭垃圾中。

保留修改權。

한국어

안전 수칙

전동공구용 일반 안전수칙

4 경고 모든 안전수칙과 지시 사항을 상세히 읽고 지켜야 합니다. 다음의 안전수칙과 지시 사항을 준수하지 않으면 화재 위험이 있으며 감전 혹은 중상을 입을 수 있습니다.

앞으로의 참고를 위해 이 안전수칙과 사용 설명서를 잘 보관하십시오.

다음에서 사용되는 “전동공구”라는 개념은 전원에 연결하여 사용하는 전동 기기 (전선이 있는) 나 배터리를 사용하는 전동 기기 (전선이 없는) 를 의미합니다.

작업장 안전

- ▶ **작업장을 항상 깨끗이 하고 조명을 밝게 하십시오.**
작업장 환경이 어수선하거나 어두우면 사고를 초래할 수 있습니다.
- ▶ **가연성 유체, 가스 또는 분진이 있어 폭발 위험이 있는 환경에서 전동공구를 사용하지 마십시오.** 전동공구는 분진이나 증기에 점화하는 불꽃을 일으킬 수 있습니다.
- ▶ **전동공구를 사용할 때 구경꾼이나 어린이 혹은 다른 사람이 작업장에 접근하지 못하게 하십시오.** 다른 사람이 주의 를 산만하게 하면 기기에 대한 통제를 잃기 쉽습니다.

건기에 관한 안전

- ▶ **전동공구의 전원 플러그가 전원 콘센트에 잘 맞아야 합니다.** 플러그를 조금이라도 변경시켜서는 안됩니다. 접지된 전동공구를 사용할 때 어댑터 플러그를 사용하지 마십시오. 변경되지 않은 플러그와 잘 맞는 콘센트를 사용하면 감전의 위험을 감소할 수 있습니다.
- ▶ **파이프란, 라디에이터, 레인지, 냉장고와 같은 접지 표면에 몸이 닿지 않도록 하십시오.** 몸에 닿을 경우 감전될 위험이 높습니다.
- ▶ **전동공구를 비에 맞지 않게 하고 습기 있는 곳에 두지 마십시오.** 전동공구에 물이 들어가면 감전될 위험이 높습니다.
- ▶ **전원 코드를 잡고 전동공구를 운반하거나 걸어 놓아서는 안되며, 콘센트에서 전원 플러그를 뽑을 때 전원 코드를 잡아 당겨서는 절대로 안됩니다.** 전원 코드가 열과 오일에 접촉하는 것을 피하고, 날카로운 모서리나 기기의 가동 부위에 닿지 않도록 주의 하십시오. 손상되거나 영진 전원 코드는 감전을 유발할 수 있습니다.
- ▶ **실외에서 전동공구로 작업할 때는 실외용으로 적당할 연 장전원 코드만을 사용하십시오.** 실외용 연장 전원 코드를 사용하면 감전의 위험을 줄일 수 있습니다.
- ▶ **전동공구를 습기 찬 곳에서 사용해야 할 경우에는 누전 차단기를 사용하십시오.** 누전 차단기를 사용하면 감전 위험 을 줄일 수 있습니다.

사용자 안전

- ▶ **신중하게 작업하십시오.** 작업을 할 때 주의를 하며, 전동공구를 사용할 때 경솔하게 행동하지 마십시오. 피로한 상태이거나 약물 복용 및 음주한 후에는 전동공구를 사용하지 마십시오. 전동공구를 사용할 때 잠시라도 주의가 산만해 지면 중상을 입을 수 있습니다.
- ▶ **작업자 안전을 위한 장치를 사용하십시오.** 항상 보안경을 착용하십시오. 전동공구의 종류와 사용에 따라 면지 보호 마스크, 미끄러지지 않는 안전한 신발, 안전모 또는 귀마개 등의 안전현 복장을 하면 상해의 위험을 줄일 수 있습니다.
- ▶ **실수로 기기가 작동되지 않도록 주의하십시오.** 전동공구를 전원에 연결하거나 배터리를 끼우기 전에, 혹은 기기를 들거나 운반하기 전에, 전원 스위치가 꺼져 있는지 다시 확인하십시오. 전동공구를 운반할 때 전원 스위치에 손가락을 대거나 전원 스위치가 켜진 상태에서 전원을 연결하면 사고 위험이 높습니다.
- ▶ **전동공구를 사용하기 전에 조절하는 톨이나 나사 키 등을 빼 놓으십시오.** 회전하는 부위에 있는 톨이나 나사 키로 인해 상해를 입을 수 있습니다.
- ▶ **자신을 과신하지 마십시오.** 불안정한 자세를 피하고 항상 평형을 이룬 상태로 작업해야만 의외의 상황에서도 전동공구를 안전하게 사용할 수 있습니다.
- ▶ **알맞은 작업복을 입으십시오.** 헐렁한 복장을 하거나 장식품을 착용하지 마십시오. 머리카락 또는 장갑이 가동하는 기기 부위에 끼이리 닿지 않도록 주의하십시오. 헐렁한 복장, 장식품 혹은 긴 머리는 가동 부위에 팔려 사고를 초래할 수 있습니다.
- ▶ **분진 추출장치나 수거장치의 조립이 가능한 경우, 이 장치가 연결되어 있는지, 제대로 작동이 되는지 확인하십시오.** 이러한 분진 추출장치를 사용하면 분진으로 인한 사고 위험을 줄일 수 있습니다.

전동공구의 올바른 사용과 취급

- ▶ **기기를 과부하 상태에서 사용하지 마십시오.** 작업을 하는 때 이에 적당한 전동공구를 사용하십시오. 알맞은 전동공구를 사용하면 지정된 성능 한도 내에서 더 효율적으로 안전하게 작업할 수 있습니다.
- ▶ **전원 스위치가 고장 난 전동공구를 사용하지 마십시오.** 전원 스위치가 작동되지 않는 전동공구는 위험하므로, 반드시 수리를 해야 합니다.
- ▶ **기기에 세팅을 하거나 액세서리 부품을 교환하거나 혹은 기기를 보관할 때, 항상 전원 콘센트에서 플러그를 미리 빼어 놓으십시오.** 이러한 조치는 실수로 전동공구가 작동하게 되는 것을 예방합니다.
- ▶ **사용하지 않는 전동공구는 어린이 손이 닿지 않는 곳에 보관하고, 전동공구 사용에 익숙지 않거나 이 사용 설명서를 읽지 않은 사람은 기기를 사용해서는 안됩니다.** 경험이 없는 사람이 전동공구를 사용하면 위험합니다.
- ▶ **전동공구를 조심스럽게 관리하십시오.** 가동 부위가 하자 없이 정상적인 기능을 하는지, 걸리는 부위가 있는지, 혹은

16 | 한국어

은 전동공구의 기능에 중요한 부품이 손상되지 않았는지 확인하십시오. 손상된 기기의 부품은 전동공구를 다시 사용하기 전에 반드시 수리를 맡기십시오. 제대로 관리하지 않은 전동공구의 경우 많은 사고를 유발합니다.

- ▶ 절단 공구를 날카롭고 깨끗하게 관리하십시오. 날카로운 절단면이 있고 잘 관리된 절단공구는 걸리는 경우가 드물고 조절하기도 쉽습니다.
- ▶ 전동공구, 액세서리, 장착하는 공구 등을 사용할 때, 이 지시 사항과 특별히 기종 별로 나와있는 사용 방법을 준수하십시오. 이때 작업 조건과 실시하려는 작업 내용을 고려하십시오. 원래 사용 분야가 아닌 다른 작업에 전동공구를 사용할 경우 위험한 상황을 초래할 수 있습니다.

서비스

- ▶ 전동공구 수리는 반드시 전문 인력에게 맡기고, 수리 정비 시 보류 승점 부품만을 사용하십시오. 그렇게 함으로써 기기의 안전성을 오래 유지할 수 있습니다.

드릴 머신용 안전 수칙

- ▶ 작업 시 비트 홀더로 전선이나 기기 자체의 케이블에 접촉할 수 있는 경우 기기의 절연된 손잡이를 잡으십시오. 전류가 흐르는 전선에 닿게 되면 기기의 금속 부위에도 전류가 통해 감전될 수 있기 때문입니다.
- ▶ 보이지 않는 부위에 에너지 배선 및 배관여부를 확인하려는 적당한 탐지기를 사용하거나 담당 에너지 공급회사에 문의하십시오. 전선에 접촉하게 되면 화재나 전기 충격을 유발 할 수 있습니다. 가스관을 손상시키면 폭발 위험이 있으며 수도관을 파손하게 되면 재산 피해를 야기할 수 있습니다.
- ▶ 톨 홀더에 끼워진 비트가 물리면 즉시 전동공구 스위치를 끄십시오. 반동을 유발할 수 있는 강한 반동력이 생길 수 있습니다. 톨 홀더에 끼워진 비트는 다음의 경우 물립니다:
 - 전동공구가 과부하된 상태이거나
 - 작업하려는 소재에 걸렸을 경우 물립니다.
- ▶ 작업물을 잘 고정하십시오. 고정장치나 기계 바이스에 끼워서 작업하면 손으로 잡는 것보다 더 안전합니다.
- ▶ 전동공구를 내려놓기 전에 기기가 완전히 멈추었는지 확인하십시오. 비트가 걸리거나 전동공구에 대한 통제가 어려워질 수 있습니다.

제품 및 성능 소개



모든 안전수칙과 지시 사항을 상세히 읽고 지켜야 합니다. 다음의 안전수칙과 지시 사항을 준수하지 않으면 화재 위험이 있으며 감전 혹은 중상을 입을 수 있습니다.

유형에 따른 사용

전동공구는 목재 금속 세라믹 플라스틱에 드릴작업을 하는 데 사용해야 합니다. 전자 제어장치와 좌우 회전기능이 있는 전동공구는 스크류작업과 나사산 절삭작업 (태핑작업) 도 가능합니다.

제품의 주요 명칭

제품의 주요 명칭에 표기되어 있는 번호는 기기 그림이 나와 있는 면을 참고하십시오.

- 1 키 타입 척
- 2 벨트 고정클립
- 3 손잡이 (절연된 손잡이 부위)
- 4 전원 스위치 잠금 버튼
- 5 전원 스위치
- 6 회전방향 선택 스위치 (GBM 13 RE)
- 7 드릴 척 키
- 8 스크류 드라이버 비트*
- 9 유니버설 비트 홀더*

*도면이나 설명서에 나와있는 액세서리는 표준 공급부품에 속하지 않습니다. 판매 액세서리는 저회 액세서리 프로그램을 참고하십시오.

제품 사양

드릴 머신	GBM 13 Professional		GBM 13 RE Professional	
	Professional		Professional	
제품 번호	3 601 D77 0..		3 601 D77 5..	
소비 전력	W	600	600	
출력	W	360	360	
무부하 속도	rpm	2600	0 - 2600	
정격 속도	rpm	1676	1676	
정격 토크	Nm	20	20	
스핀들 칼라 직경	mm	43	43	
속도 제어		-	●	
역회전 기능		-	●	
드릴 직경, 최대				
- 철재	mm	13	13	
- 목재	mm	30	30	
- 알루미늄	mm	13	13	
드릴 척 클램핑 범위	mm	1.5 - 13	1.5 - 13	
EPTA 공정 01/2003				
에 따른 중량	kg	1.7	1.7	
안전 등급		□/II	□/II	

자료는 정격 전압 [U] 230 V 를 기준으로 한 것입니다. 전압이 낮거나 각국의 특수한 모델에 따라 달라질 수 있습니다.

전동공구의 명판에 표시된 제품 번호를 확인하십시오. 각 전동공구의 명칭이 시중에서 상이하게 사용될 수 있습니다.

조립

액세서리의 교환

- ▶ 전동공구를 보수 정비하기 전에 반드시 콘센트에서 전원 플러그를 빼십시오.
- ▶ 비트를 교환할 때 보호 장갑을 착용하십시오. 장시간 작업을 하면 드릴 척이 과열될 수 있습니다.

키 타입 척 (그림 A 참조)

키 타입 척 1 을 비트가 끼워질 수 있을 정도 까지 돌려 열어 준 다음에 비트를 끼웁니다.

척 키 7 을 해당하는 키 타입 척 1 의 구멍에 끼우고 비트를 일정하게 고정합니다.

스크류 드라이버 비트 (그림 B 참조)

스크류 드라이버 비트 8 로 작업할 때, 반드시 유니버설 비트 홀더 9 을 사용해야 합니다. 나사못 머리에 맞는 스크류 드라이버 비트만을 사용하십시오.

드릴 척 교환하기

드릴 스피들 잠금 장치가 없는 전동공구의 경우, 드릴 척 교환은 보쉬 지정 전동공구 서비스 센터에 맡기십시오.



드릴 척은 약 31-35 Nm 의 고정 토크로 조여야 합니다.

분진 및 톱밥 추출장치

▶ 납 성분을 포함한 페인트나 몇몇 나무 종류, 또는 광물 성분 분그리고 철과 같은 재료의 분진을 건강을 해칠 수 있습니다. 이 분진을 만지거나 호흡할 경우, 사용자나 주변 사람들은 알레르기 반응이나 호흡기 장애를 일으킬 수 있습니다.

떡갈나무나 너도밤나무와 같은 특정한 분진은 암을 유발시키며, 특히 목재 처리용으로 사용되는 부가 원료 (크로마트, 목재 보호제) 와 혼합되면 암을 유발시키게 됩니다. 석면 성분을 포함한 재료는 오직 전문가가 작업을 해야 합니다.

- 작업장의 통풍이 잘 되도록 하십시오.
- 필터등급 P2 가 장착된 호흡 마스크를 사용하십시오. 작업용 재료에 관해 국가가 지정한 규정을 고려 하십시오.

▶ 작업장에 분진이 쌓이지 않도록 하십시오. 분진이 쉽게 발화할 수 있습니다.

작동**기계 시동**

▶ **공공 배전 전압에 주의!** 공급되는 전원의 전압은 전동공구의 명판에 표기된 전압과 동일해야 합니다.

회전방향 설정하기 (GBM 13 RE) (그림 C 참조)

회전방향 선택 스위치 6 로 기기의 회전 방향을 선택할 수 있습니다. 그러나 전원 스위치 5 가 눌러진 상태에서는 작동이 불가능합니다.

정회전: 드릴작업이나 스크류작업을 하려면 회전방향 선택 스위치 6 를 왼쪽으로 끝까지 밀니다.

역회전: 나사못이나 너트를 느슨하게 하거나 푸는 작업을 하려면, 회전방향 선택 스위치 6 를 오른쪽 끝까지 밀니다.

전원 스위치 작동

전동공구를 작동하려면 전원 스위치 5 를 누르고 누른 상태를 유지하십시오.

전원 스위치 5 를 누른 상태로 유지하려면, 잠금 버튼 4 을 누르십시오.

전동공구의 스위치를 끄려면 전원 스위치 5 를 놓거나 잠금 버튼 4 으로 고정된 경우 전원 스위치 5 를 살짝 눌렀다가 다시 놓습니다.

속도 조절 (GBM 13 RE)

작동하고 있는 전동공구의 속도를 연속적으로 조절할 수 있는데, 전원 스위치 5 를 어느 정도 세게 누르는가에 달려 있습니다.

전원 스위치 5 를 살짝 누르면 저속으로 작동합니다. 세게 누르면 속도가 빨라집니다.

사용방법

▶ 전동공구의 스위치가 꺼진 상태에서서만 나사못에 매십시오. 회전하는 드릴 비트가 미끄러질 수 있습니다.

금속에 드릴작업을 할 때 항상 하자가 없는 날카로운 HSS 드릴 비트 (HSS = 하이 스피드 스틸) 만을 사용하십시오. 보쉬 액세서리 프로그램은 이에 상응하는 품질을 보증합니다.

드릴 비트 연마기 (별매 액세서리) 로 직경이 2.5-10 mm 인 트위스트 드릴 비트를 쉽게 연마할 수 있습니다.

벨트 고정클립

벨트 고정클립 2 로 이 전동공구를 벨트에 매달아 놓을 수 있습니다. 그러면 두 손을 자유로이 사용할 수 있으며 어느 때나 이 전동공구를 사용할 수 있습니다.

보수 정비 및 서비스**보수 정비 및 유지**

▶ 전동공구를 보수 정비하기 전에 반드시 콘센트에서 전원 플러그를 빼십시오.

▶ 안전하고 올바른 작업을 위하여 전동공구와 전동공구의 환기구를 항상 깨끗이 하십시오.

연결 코드를 교환해야 할 경우 안전을 기하기 위해 보쉬사나 보쉬 지정 전동공구 서비스 센터에 맡겨야 합니다.

세심한 제작과 검사에도 불구하고 전동공구가 불량한 경우가 있다면 보쉬 고객 지원분부나 가까운 보쉬 지정 전동공구 서비스 센터에 수리를 의뢰하십시오.

문의 사항이 있거나 스페어 부품을 주문할 때 반드시 전동공구의 타입 표시판에 적힌 10 자리의 제품 번호를 알려 주십시오.

AS 센터 및 고객 상담

AS 센터에서는 귀하 제품의 수리 및 보수정비, 그리고 부품에 관한 문의를 받고 있습니다. 제품의 분해도 및 부품에 관한 정보는 다음의 주소에서도 보실 수 있습니다:

www.bosch-pt.com

보쉬 AS 센터 팀은 제품과 액세서리의 구매, 사용법 및 설정에 관해 상담해 드립니다.

18 | ภาษาไทย

한국로버트보슈기전주식회사

Robert Bosch Korea Mechanics and Electronics Ltd.

전통공구 사업부

경기도 용인시 기흥구 보정동 298 번지
전화 : +82 31 270 - 4143/4148/4620
팩스 : +82 31 270 - 4144

고객지원본부

전화 : +82 31 270 - 4680/4681/4682
팩스 : +82 31 270 - 4686
E-Mail: Bosch-pt.hotline@kr.bosch.com
Internet: www.bosch-pt.co.kr

처리

기기와 액세서리 및 포장 등은 환경 친화적인 방법으로 재생
할 수 있도록 분류하십시오.

전동공구를 가정용 쓰레기로 처리하지 마십시오!

위 사항은 사전 예고 없이 변경될 수도 있습니다.

ภาษาไทย**กฎระเบียบเพื่อความปลอดภัย****คำเตือนทั่วไปเพื่อความปลอดภัย****ในการใช้เครื่องมือไฟฟ้า**

⚠ คำเตือน ต้องอ่านคำเตือนเพื่อความปลอดภัยและ
คำสั่งทั้งหมด การไม่ปฏิบัติตามคำเตือนและ
คำสั่งอาจเป็นสาเหตุให้ถูกไฟฟ้าดูด เกิดไฟไหม้ และ/หรือได้รับ
บาดเจ็บอย่างร้ายแรง

เก็บรักษาคำเตือนและคำสั่งทั้งหมดสำหรับเปิดอ่านใน
ภายหลัง

คำว่า "เครื่องมือไฟฟ้า" ในคำเตือนหมายถึง เครื่องมือไฟฟ้าของท่าน
ที่ทำงานด้วยพลังงานไฟฟ้าที่ต่อจากเต้าเสียบ (มีสายไฟฟ้า) และ
เครื่องมือไฟฟ้าที่ทำงานด้วยพลังงานไฟฟ้าจากแบตเตอรี่ (ไร้สาย)

ความปลอดภัยในสถานที่ทำงาน

- ▶ รักษาสถานที่ทำงานให้สะอาดและมีไฟส่องสว่างดี
สถานที่ที่มีมืดหรือทึบรังสีนำมาซึ่งอุบัติเหตุ
- ▶ อย่าใช้เครื่องมือไฟฟ้าในสภาพแวดล้อมที่เสียงต่อ
การติดระเบิดได้ เช่น ในที่มีมีของเหลว แก๊ส หรือ
ฝุ่นที่ติดไฟได้ เมื่อใช้เครื่องมือไฟฟ้าจะเกิดประกายไฟซึ่ง
อาจจุดฝุ่นหรือไอให้ลุกเป็นไฟได้
- ▶ ขณะใช้เครื่องมือไฟฟ้าทำงาน ต้องกั้นเด็กและผู้ยืนดู
ให้ออกห่าง การหันเหความสนใจอาจทำให้ท่านขาดการ
ควบคุมเครื่องได้

ความปลอดภัยเกี่ยวกับไฟฟ้า

- ▶ ปลั๊กของเครื่องมือไฟฟ้าต้องมีขนาดพอดีกับเต้าเสียบ
อย่าตัดแปลงหรือแก้ไขตัวปลั๊กอย่างเด็ดขาด อย่าต่อ
ปลั๊กต่อใดๆ เข้ากับเครื่องมือไฟฟ้าที่มีสายดิน ปลั๊กที่
ไม่ตัดแปลงและเต้าเสียบที่เข้ากันช่วยลดความเสี่ยงจาก
การถูกไฟฟ้าดูด
- ▶ หลีกเลี่ยงไม่ให้ร่างกายสัมผัสกับพื้นผิวของสิ่งของที่
ต่อสายดินไว้ เช่น ท่อ เครื่องทำความร้อน เตา และ
ตู้เย็น จะเสี่ยงอันตรายจากการถูกไฟฟ้าดูดมากขึ้นหาก
กระแสไฟฟ้าวิ่งผ่านร่างกายของท่านลงดิน
- ▶ อย่าวางเครื่องมือไฟฟ้าตากฝนหรือทิ้งไว้ในที่ชื้นแฉะ
หากนำเข้าไปในเครื่องมือไฟฟ้า จะเพิ่มความเสี่ยงจากการถูก
ไฟฟ้าดูด
- ▶ อย่าใช้สายไฟฟ้าอย่างผิดๆ อย่านำเครื่องมือไฟฟ้า
ที่สาย อย่านำสายขวนเครื่อง หรืออย่าดึงสายไฟฟ้า
เพื่อถอดปลั๊กออกจากเต้าเสียบ กันสายไฟฟ้าออก
ห่างจากความร้อน น้ำมัน ขอบแหลมคม หรือส่วนของ
เครื่องที่กำลังเคลื่อนไหว สายไฟฟ้าที่ชำรุดหรือพันกันยุ่ง
เพิ่มความเสี่ยงจากการถูกไฟฟ้าดูด
- ▶ เมื่อใช้เครื่องมือไฟฟ้าทำงานกลางแจ้ง ให้ใช้สายไฟ
ต่อที่ได้รับการรับรองให้ใช้ต่อในที่กลางแจ้งเท่านั้น
การใช้สายไฟต่อที่เหมาะสมสำหรับงานกลางแจ้งช่วยลด
อันตรายจากการถูกไฟฟ้าดูด
- ▶ หากไม่สามารถหลีกเลี่ยงการใช้เครื่องมือไฟฟ้าทำงาน
ในสถานที่เปียกชื้นได้ ให้ใช้สวิตช์ตัดวงจรเมื่อเกิดการ
รั่วไหลของไฟฟ้าจากสายดิน การใช้สวิตช์ตัดวงจรเมื่อ
เกิดการรั่วไหลของไฟฟ้าจากสายดินช่วยลดความเสี่ยงต่อ
การถูกไฟฟ้าดูด

ความปลอดภัยของบุคคล

- ▶ ท่านต้องอยู่ในสภาพเตรียมพร้อม ระวังระวังในสิ่งที่
กำลังทำอยู่ และมีสติขณะใช้เครื่องมือไฟฟ้าทำงาน
อย่าใช้เครื่องมือไฟฟ้าขณะที่ท่านกำลังเหนื่อย หรือ
อยู่ภายใต้การครอบงำของฤทธิ์ของยาเสพติด
แอลกอฮอล์ และยา เมื่อใช้เครื่องมือไฟฟ้าทำงาน ในช่ว
นาที่ท่านขาดความเอาใจใส่อาจทำให้บุคคลบาดเจ็บอย่าง
รุนแรงได้
- ▶ ใช้อุปกรณ์ปกป้องร่างกาย สวมแว่นตาป้องกันเสมอ
อุปกรณ์ปกป้อง เช่น หน้ากากกันฝุ่น รองเท้ากันลื่น หมวก
แข็ง หรือประทุนกันเสียงดัง ที่เลือกใช้ตามความเหมาะสม
กับสภาพการทำงาน สามารถลดอันตรายต่อบุคคลได้
- ▶ ป้องกันการติดเครื่องโดยไม่ได้ตั้งใจ ต้องดูให้แน่ใจว่า
สวิตช์อยู่ในตำแหน่งปิดก่อนเสียบปลั๊กไฟเข้าไปใน
เต้าเสียบ และ/หรือใส่แท่งแบตเตอรี่ ยกขึ้นหรือ
ถือเครื่องมือ การถือเครื่องโดยใช้นิ้วหัวสวิตช์ หรือ

เสียบปลั๊กไฟฟ้าขณะสวิตช์เปิดอยู่ อาจนำไปสู่อุบัติเหตุที่ร้ายแรงได้

- ▶ **เอาเครื่องมือปรับแต่งหรือประแจปากคายนอกจากเครื่องมือไฟฟ้าก่อนเปิดสวิตช์** เครื่องมือหรือประแจปากคายนี้อาจอยู่ใกล้กับส่วนของเครื่องที่กำลังหมุนจะทำให้บุคคลบาดเจ็บได้
- ▶ **หลีกเลี่ยงการตั้งท่าที่ผิดปกติ ตั้งทำยีนที่มีมันคงและวางน้ำหนักให้สมดุลตลอดเวลา** ในลักษณะนี้ท่านสามารถควบคุมเครื่องมือไฟฟ้าในสถานการณ์ที่ไม่คาดคิดได้ดีกว่า
- ▶ **ใส่เสื้อผ้าที่เหมาะสม** อย่าใส่เสื้อผ้าหลวมหรือสวมเครื่องประดับ เหน็บ และถุงมือออกห่างส่วนของเครื่องที่กำลังหมุน เสื้อผ้าหลวม เครื่องประดับ และผมยาวอาจเข้าไปติดในส่วนของเครื่องที่กำลังหมุนได้
- ▶ **หากต้องต่อเครื่องมือไฟฟ้าเข้ากับเครื่องดูดฝุ่นหรือเครื่องเก็บผง** ดูให้แน่ใจว่าการเชื่อมต่อและการใช้งานเป็นไปอย่างถูกต้อง การใช้อุปกรณ์ดูดฝุ่นช่วยลดอันตรายที่เกิดจากฝุ่นได้

การใช้และการดูแลรักษาเครื่องมือไฟฟ้า

- ▶ **อย่าใช้เครื่องมือไฟฟ้าอย่างหักโหม ใช้เครื่องมือไฟฟ้าที่ถูกต้องตรงตามลักษณะงาน** เครื่องมือไฟฟ้าที่ถูกต้องจะทำงานได้ดีกว่าและปลอดภัยกว่าในระดับสมรรถภาพที่ออกแบบไว้
- ▶ **อย่าใช้เครื่องมือไฟฟ้าที่สวิตช์เปิดปิดเสีย** เครื่องมือไฟฟ้าที่ไม่สามารถควบคุมการเปิดปิดด้วยสวิตช์ได้ เป็นเครื่องมือไฟฟ้าที่ไม่ปลอดภัยและต้องส่งซ่อมแซม
- ▶ **ก่อนปรับแต่งเครื่อง เปลี่ยนอุปกรณ์ประกอบ หรือเก็บเครื่องเข้าที่ ต้องถอดปลั๊กไฟออกจากเต้าเสียบและ/หรือถอดแท่งแบตเตอรี่ออกจากเครื่องมือไฟฟ้า** มาตรการป้องกันเพื่อความปลอดภัยนี้ช่วยลดความเสี่ยงจากการติดเครื่องโดยไม่ได้ตั้งใจ
- ▶ **เมื่อเลิกใช้งานเครื่องมือไฟฟ้า ให้เก็บเครื่องไว้ในที่ที่เด็กหยิบไม่ถึง และไม่อนุญาตให้บุคคลที่ไม่คุ้นเคยกับเครื่องหรือบุคคลที่ไม่ได้อ่านคำแนะนำนี้ใช้เครื่องมือไฟฟ้า** เป็นของอันตรายหากตกอยู่ในมือของผู้ใช้ที่ไม่ได้รับการฝึกฝน
- ▶ **เอาใจใส่ดูแลรักษาเครื่อง ตรวจสอบหาส่วนที่เคลื่อนไหวได้ของเครื่องว่าวางอยู่ตรงแนวหรือติดขัดหรือไม่** ตรวจสอบการแตกหักของชิ้นส่วนและสภาพอื่นใดที่อาจมีผลต่อการทำงานของเครื่องมือไฟฟ้า หากชำรุดต้องส่งเครื่องมือไฟฟ้าซ่อมแซมก่อนใช้งาน อุบัติเหตุหลายอย่างเกิดขึ้นเนื่องจากดูแลรักษาเครื่องไม่ดีพอ

- ▶ **รักษาเครื่องมือตัดให้คมและสะอาด** หากบำรุงรักษาเครื่องมือที่มีขอบตัดแหลมคมอย่างถูกต้อง จะสามารถตัดได้สั้นไม่ติดขัดและควบคุมได้ง่ายกว่า
- ▶ **ใช้เครื่องมือไฟฟ้า อุปกรณ์ประกอบ เครื่องมือ และอุปกรณ์อื่นๆ ให้ตรงตามคำแนะนำนี้ และในลักษณะตามที่เครื่องมือไฟฟ้าประเภทนั้นๆ กำหนดไว้** โดยต้องคำนึงถึงเงื่อนไขการทำงานและงานที่จะทำด้วย การใช้เครื่องมือไฟฟ้าทำงานที่ต่างไปจากวัตถุประสงค์การใช้ งานของเครื่อง อาจนำไปสู่สถานการณ์ที่เป็นอันตรายได้

การบริการ

- ▶ **ส่งเครื่องมือไฟฟ้าให้ช่างผู้เชี่ยวชาญตรวจสอบและใช้อะไหล่เปลี่ยนของแท้เท่านั้น** ในลักษณะนี้ท่านจะแน่ใจได้ว่าเครื่องมือไฟฟ้าอยู่ในสภาพที่ปลอดภัย

คำแนะนำเพื่อความปลอดภัยสำหรับส่วน

- ▶ **เมื่อทำงานในบริเวณที่เครื่องมือหรือสกรูอาจสัมผัสกับสายไฟฟ้าที่ซ่อนอยู่หรือสายไฟฟ้าของเครื่อง ต้องจับเครื่องมือไฟฟ้าตรงด้ามจับที่หุ้มฉนวน** หากเครื่องมือสัมผัสกับสายที่มีกระแสไฟฟ้าไหลผ่านจะทำให้ส่วนที่เปราะบางของเครื่องมือไฟฟ้าเกิดมีกระแสไฟฟ้าด้วย และส่งผลให้ผู้ใช้เครื่องมือไฟฟ้าบาดเจ็บ
- ▶ **ใช้เครื่องตรวจที่เหมาะสมตรวจหาท่อและสายไฟฟ้าที่อาจซ่อนอยู่ในบริเวณที่จะทำงาน หรือขอความช่วยเหลือจากบริษัทวางท่อและสายไฟฟ้าในท้องถิ่น** การสัมผัสกับสาย ไฟฟ้าอาจทำให้เกิดไฟไหม้หรือถูกไฟฟ้าช็อกหรือดูดได้ การทำให้ท่อแก๊สเสียหายอาจเกิดระเบิดได้ การเจาะเข้าในท่อน้ำทำให้ทรัพย์สินเสียหาย
- ▶ **ปิดเครื่องมือไฟฟ้าทันทีที่เครื่องมือที่ใส่อยู่เกิดติดขัด** เตรียมตัวรับแรงบิดสะท้อนสูงที่ทำให้เกิดการตีกลับ เครื่องมือที่ใส่อยู่ติดขัดเนื่องจาก:
 - เครื่องมือไฟฟ้าถูกใช้งานเกินกำลังปกติ หรือ
 - เครื่องมือที่มึนเยิ้มอยู่ในชิ้นงาน
- ▶ **ยึดชิ้นงานให้แน่น** การยึดชิ้นงานด้วยเครื่องมือหรือแท่นจับจะมั่นคงกว่าการยึดด้วยมือ
- ▶ **ก่อนวางเครื่องลงบนพื้นทุกครั้ง ต้องรอให้เครื่องหยุดนิ่งอยู่กับที่เสมอ** มิฉะนั้นเครื่องมือที่ใส่อยู่อาจติดขัดและนำไปสู่การสูญเสียการควบคุมเครื่องมือไฟฟ้า

รายละเอียดผลิตภัณฑ์และข้อมูลจำเพาะ



ต้องอ่านคำเตือนเพื่อความปลอดภัยและคำสั่งทั้งหมด การไม่ปฏิบัติตามคำเตือนและคำสั่งอาจเป็นสาเหตุให้ถูกไฟฟ้าดูด เกิดไฟไหม้ และ/หรือได้รับบาดเจ็บอย่างร้ายแรง

20 | ภาษาไทย

ประโยชน์การใช้งานของเครื่อง

เครื่องนี้ใช้สำหรับเจาะในไม้ โลหะ เซรามิก และพลาสติก เครื่องที่มีระบบควบคุมอิเล็กทรอนิกส์และการหมุนซ้าย/ขวาสามารถใช้ขันสกรูและทำเกลียวได้ด้วย

ส่วนประกอบผลิตภัณฑ์

ลำดับเลขของส่วนประกอบผลิตภัณฑ์อ้างถึงส่วนประกอบของเครื่องที่แสดงในหน้าภาพประกอบ

- 1 หัวจับดอกชนิดมีเฟืองใน
- 2 คลิปเข็มขัด
- 3 ด้ามจับ (พื้นผิวจับหุ้มฉนวน)
- 4 ปุ่มล็อกสวิตช์เปิด-ปิด
- 5 สวิตช์เปิด-ปิด
- 6 สวิตช์เปลี่ยนทิศทางการหมุน (GBM 13 RE)
- 7 ประแจหัวจับดอก
- 8 ดอกไขควง *
- 9 ด้ามจับดอกทั่วไป *

* อุปกรณ์ประกอบที่แสดงหรือระบุไม่รวมอยู่ในการจัดส่งมาตรฐาน กรุณาดูอุปกรณ์ประกอบทั้งหมดในรายการแสดงอุปกรณ์ประกอบของเรา

ข้อมูลทางเทคนิค

ส่วนไฟฟ้า	GBM 13 GBM 13 RE		
	Professional	Professional	
หมายเลขสินค้า	3 601 D77 0..	3 601 D77 5..	
กำลังไฟฟ้าเข้ากำหนด	วัตต์	600	600
กำลังไฟฟ้าออก	วัตต์	360	360
ความเร็วรอบเดินดรัม			
วเปลา	รอบ/นาที	2600	0 – 2600
ความเร็วรอบกำหนด	รอบ/นาที	1676	1676
กำลังบิดกำหนด	Nm	20	20
เส้นผ่าศูนย์กลางปลอกกแกน	มม.	43	43
การควบคุม			
ความเร็วรอบ		–	●
การหมุนซ้าย/ขวา		–	●
ค่าที่เห็นใช้ได้กับแรงดันไฟฟ้าระบุ [U] 230 โวลต์ ค่าเหล่านี้อาจผิดแผกไปสำหรับแรงดันไฟฟ้าที่ต่ำกว่า และโมเดลที่สร้างสำหรับเฉพาะประเทศ เครื่องแต่ละเครื่องอาจมีชื่อทางการค้าแตกต่างกัน ดังนั้นกรุณาสังเกตหมายเลขสินค้าบนแผ่นป้ายรุ่นของเครื่องของท่าน			

ส่วนไฟฟ้า	GBM 13 GBM 13 RE		
		Professional	Professional
Ø-การเจาะ สูงสุด			
– เหล็ก	มม.	13	13
– ไม้	มม.	30	30
– อะลูมิเนียม	มม.	13	13
วงหนีบหัวจับดอก	มม.	1.5 – 13	1.5 – 13
น้ำหนักตามระเบียบการ-EPTA-Procedure 01/2003	กก.	1.7	1.7
ระดับความปลอดภัย		<input type="checkbox"/> /II	<input type="checkbox"/> /II
ค่าที่เห็นใช้ได้กับแรงดันไฟฟ้าระบุ [U] 230 โวลต์ ค่าเหล่านี้อาจผิดแผกไปสำหรับแรงดันไฟฟ้าที่ต่ำกว่า และโมเดลที่สร้างสำหรับเฉพาะประเทศ เครื่องแต่ละเครื่องอาจมีชื่อทางการค้าแตกต่างกัน ดังนั้นกรุณาสังเกตหมายเลขสินค้าบนแผ่นป้ายรุ่นของเครื่องของท่าน			

การประกอบ**การเปลี่ยนเครื่องมือ**

- ▶ ดึงปลั๊กไฟออกจากเต้าเสียบก่อนปรับแต่งเครื่อง
- ▶ ใส่ถุงมือป้องกันอันตรายเมื่อเปลี่ยนเครื่องมือ หัวจับดอกจะร้อนจัดขึ้นได้เมื่อใช้เครื่องทำงานนานๆ

หัวจับดอกชนิดมีเฟืองใน (ดูภาพประกอบ A)

เปิดหัวจับดอกชนิดมีเฟืองใน 1 โดยการหมุนจนสามารถใส่เครื่องมือได้ จับเครื่องมือใส่เข้าไป

สอดประแจหัวจับดอก 7 เข้าในรูที่ลงรอยกับบนหัวจับดอกชนิดมีเฟืองใน 1 และหนีบเครื่องมือเข้าเสมอกัน

เครื่องมือขัน (ดูภาพประกอบ B)

เมื่อใช้ดอกไขควง 8 ควรใช้ด้ามจับดอกทั่วไป 9 ด้วยเสมอ ต้องใช้ไขควงที่มีขนาดพอดีกับหัวสกรู

การเปลี่ยนหัวจับดอก

สำหรับเครื่องมือไฟฟ้าที่ไม่มีกริลล์ล็อกแกน ต้องให้ศูนย์บริการหลังการขายที่ได้รับแต่งตั้งสำหรับเครื่องมือไฟฟ้า บ็อช เป็นผู้เปลี่ยนหัวจับดอก



ต้องขันหัวจับดอกเข้าให้แน่นด้วยกำลังบิดการขันประมาณ 31 – 35 Nm

การดูฝุ่น/ซีลเสียง

- ▶ ฝุ่นที่ได้จากวัสดุ เช่น เคลือบผิวที่มีสารตะกั่ว ไม้บางประเภท แร่ธาตุ และโลหะ อาจเป็นอันตรายต่อสุขภาพ การสัมผัสหรือการหายใจเอาฝุ่นเข้าไปอาจทำให้เกิดปฏิกิริยาแพ้ฝุ่น และ/หรือนำมาซึ่งโรคติดเชื้อระบบหายใจแก่ผู้ใช้เครื่องหรือผู้ที่ยืนอยู่ใกล้เคียง

ฝุ่นบางประเภท เช่น ฝุ่นไม้ก๊อก หรือไม้ปืช นับเป็นสารที่ทำให้เกิดมะเร็ง โดยเฉพาะอย่างยิ่งเมื่อผสมกับสารเติมแต่งเพื่อบำบัดไม้ (โครเมต ผลิตภัณฑ์รักษาเนื้อไม้) สำหรับวัสดุที่มีแอสเบสทอส ต้องให้ผู้เชี่ยวชาญทำงานเท่านั้น

- จัดสถานที่ทำงานให้มีการระบายอากาศที่ดี
- ขอแนะนำให้สวมหน้ากากป้องกันการติดเชื้อที่มีระดับ-ได้กรอง P2

ปฏิบัติตามกฎข้อบังคับสำคัญอื่นๆ ที่เกี่ยวข้องกับวัสดุชิ้นงานที่บังคับใช้ในประเทศของท่าน

- ▶ **ป้องกันการสะสมของฝุ่นในสถานที่ทำงาน**
ฝุ่นสามารถถูกหายใจอย่างง่ายตาย

การปฏิบัติงาน

เริ่มต้นปฏิบัติงาน

- ▶ ให้สังเกตแรงดันไฟฟ้า! แรงดันไฟฟ้าจากแหล่งจ่ายไฟฟ้าต้องมีค่าตรงกับค่าแรงดันไฟฟ้าที่ระบุไว้บนแผ่นป้ายพิกัดเครื่อง

การกลับทิศทางการหมุน (GBM 13 RE) (ดูภาพประกอบ C)

สวิตช์เปลี่ยนทิศทางการหมุน 6 ใช้สำหรับกลับทิศทางการหมุนของเครื่อง อยางไรก็ดี หากกดสวิตช์เปิด-ปิด 5 อยู่ จะกลับทิศทางการหมุนไม่ได้

การหมุนทางขวา: สำหรับการเจาะและขันสกรูเข้า ให้สับสวิตช์เปลี่ยนทิศทางการหมุน 6 ไปทางซ้ายจนสุด

การหมุนทางซ้าย: สำหรับการคลายและขันสกรูและน็อตออก ให้กดสวิตช์เปลี่ยนทิศทางการหมุน 6 ไปทางขวาจนสุด

การเปิด-ปิดเครื่อง

เปิดเครื่องทำงานโดยกดสวิตช์เปิด-ปิด 5 และกดค้างไว้

ล็อคสวิตช์เปิด-ปิด 5 **ที่กดค้างไว้** โดยกดปุ่มล็อคสวิตช์เปิด-ปิด 4

ปิดเครื่องโดยปล่อยนิ้วจากสวิตช์เปิด-ปิด 5 หรือในกรณีที่ถูกล็อคด้วยปุ่มล็อค 4 อยู่ ให้กดสวิตช์เปิด-ปิด 5 สั้นๆ และปล่อยนิ้ว

การปรับความเร็วรอบ (GBM 13 RE)

ความเร็วรอบของเครื่องมือไฟฟ้าที่เปิดทำงานสามารถปรับเปลี่ยนได้ตามแรงกดมากน้อยบนสวิตช์เปิด-ปิด 5

การกดสวิตช์เปิด-ปิด 5 เบาจะได้รับความเร็วรอบต่ำ การกดสวิตช์แรงยิ่งขึ้นจะได้รับความเร็วรอบสูงขึ้น

ข้อแนะนำในการทำงาน

- ▶ **จับเครื่องมือไฟฟ้าเข้าบนหัวสกรู/น็อตเมื่อเครื่องปิดอยู่** เท่านั้น เครื่องมือที่หมุนอยู่อาจลื่นไถล

ให้ใช้เฉพาะดอกสว่าน HSS (HSS = high-speed steel) ที่ลึบคมอย่างดีสำหรับเจาะโลหะ ดอกสว่านที่เป็นอุปกรณ์ประกอบของแท้ของ บอช รับประกันคุณภาพการเจาะ

ดอกสว่านเกลียวบิดขนาดตั้งแต่ 2.5 – 10 มม สามารถลับได้อย่างง่ายด้วยที่ลับดอกสว่าน (ดูอุปกรณ์ประกอบ)

คลิปเข็มขัด

คลิปเข็มขัด 2 ใช้สำหรับแขวนเครื่องเข้ากับเข็มขัด ผู้ใช้จะมีมือใช้งานอิสระได้ทั้งสองข้าง และสามารถหยิบจับเครื่องได้ตลอดเวลา

การบำรุงรักษาและการบริการ

การบำรุงรักษาและการทำความสะอาด

- ▶ **ดึงปลั๊กไฟออกจากเต้าเสียบก่อนปรับแต่งเครื่อง**
- ▶ **เพื่อให้ทำงานได้อย่างถูกต้องและปลอดภัย ต้องรักษาเครื่องและช่องระบายอากาศให้สะอาดอยู่เสมอ**

เมื่อจำเป็นต้องเปลี่ยนสายไฟฟ้า ให้ส่งเครื่องไปบริษัท บอช หรือศูนย์บริการลูกค้าสำหรับเครื่องมือไฟฟ้า บอช ที่ได้รับมอบหมายทำการเปลี่ยนให้ เพื่อหลีกเลี่ยงอันตรายด้านความปลอดภัย

เครื่องมือไฟฟ้านี้ผ่านกรรมวิธีการผลิตและตรวจสอบอย่างละเอียดถี่ถ้วนมาแล้ว ถึงกระนั้น หากเครื่องเกิดขัดข้อง ต้องส่งเครื่องให้ศูนย์บริการหลังการขายสำหรับเครื่องมือไฟฟ้า บอช ซ่อมแซม

เมื่อต้องการสอบถามและสั่งซื้ออะไหล่ กรุณาแจ้งหมายเลขสินค้า สิบลักษณ์บนแผ่นป้ายรุ่นของเครื่องทุกครั้ง

การบริการหลังการขายและการให้คำแนะนำลูกค้า

ศูนย์บริการหลังการขายของเรายินดีตอบคำถามของท่านที่เกี่ยวกับการบำรุงรักษาและการซ่อมแซมผลิตภัณฑ์รวมทั้งเรื่องอะไหล่ ภาพขยายและข้อมูลเกี่ยวกับอะไหล่ กรุณาดูใน:

www.bosch-pt.com

แผนกให้คำปรึกษาลูกค้าของเราพร้อมให้คำแนะนำที่ดีที่สุดแก่ท่านในเรื่องการซื้อผลิตภัณฑ์ การใช้งานและการปรับแต่งผลิตภัณฑ์ และอุปกรณ์ประกอบต่างๆ

ในกรณีประกัน ซ่อมแซม หรือซื้อชิ้นส่วนมาเปลี่ยน กรุณาติดต่อผู้ขายที่ได้รับแต่งตั้งเท่านั้น

22 | Bahasa Indonesia

ประเทศไทย**สำนักงาน**

บริษัท โรเบิร์ต บ็ช จำกัด
 ชั้น 11 ตึกลิเบอร์ตี สแควร์
 287 ถนนสีลม
 กรุงเทพฯ 10500
 โทรศัพท์ +66 (0)2 / 6 31 18 79 – 18 88 (10 หมายเลข)
 โทรสาร +66 (0)2 / 2 38 47 83
 www.bosch.co.th

ผู้ประพันธ์

บริษัท โรเบิร์ต บ็ช จำกัด
 แผนกเครื่องมือไฟฟ้า
 ตู้ ปณ. 20 54
 กรุงเทพฯ 10501
 ประเทศไทย

ศูนย์บริการซ่อมและฝึกอบรม

ศูนย์บริการซ่อมและฝึกอบรมบ็ช
 2869 – 2869/1 ซอยบ้านกล้วย
 ถนนพระรามที่ 4 (ใกล้ทางรถไฟสายปากน้ำเก่า)
 พระโขนง
 กรุงเทพฯ 10110
 ประเทศไทย
 โทรศัพท์ +66 (0)2 / 6 71 78 00 – 4
 โทรสาร +66 (0)2 / 2 49 42 96
 โทรสาร +66 (0)2 / 2 49 52 99

การกำจัดขยะ

เครื่องมือ อุปกรณ์ประกอบ และหีบห่อ ต้องนำไปแยกประเภทวัสดุ
 เพื่อนำกลับมาใช้ใหม่โดยไม่ทำลายสภาพแวดล้อม
 อย่าทิ้งเครื่องมือไฟฟ้าลงในขยะบ้าน!
 ขอสงวนสิทธิ์ในการเปลี่ยนแปลงโดยไม่ต้องแจ้งล่วงหน้า

Bahasa Indonesia**Petunjuk-Petunjuk untuk Keselamatan Kerja****Petunjuk-Petunjuk Umum untuk Perkakas Listrik**

⚠ PERHATIKANLAH Bacalah semua petunjuk-petunjuk untuk keselamatan kerja dan petunjuk-petunjuk untuk penggunaan. Kesalahan dalam menjalankan petunjuk-petunjuk untuk keselamatan kerja dan petunjuk-petunjuk untuk penggunaan

dapat mengakibatkan kontak listrik, kebakaran dan/atau luka-luka yang berat.

Simpanlah semua petunjuk-petunjuk untuk keselamatan kerja dan petunjuk-petunjuk lainnya untuk penggunaan di masa depan.

Kata „perkakas listrik“ yang disebutkan di dalam petunjuk-petunjuk untuk keselamatan kerja adalah sebutan untuk perkakas listrik pakai listrik jaringan (dengan kabel) dan untuk perkakas listrik pakai aki (tanpa kabel listrik).

Keselamatan kerja di tempat kerja

- ▶ **Jagalah supaya tempat kerja selalu bersih dan terang.** Tempat kerja yang tidak rapi atau tidak terang dapat mengakibatkan terjadinya kecelakaan.
- ▶ **Janganlah menggunakan perkakas listrik di tempat di mana dapat terjadi ledakan, di mana ada cairan, gas atau debu yang mudah terbakar.** Perkakas listrik dapat memancarkan bunga api yang lalu mengakibatkan debu atau uap terbakar.
- ▶ **Selama menggunakan perkakas listrik, jauhkan anak-anak dan orang-orang lain dari tempat kerja.** Jika konsentrasi terganggu, bisa jadi Anda tidak bisa mengendalikan perkakas listrik tersebut.

Keamanan listrik

- ▶ **Steker dari perkakas listrik harus cocok pada stopkontak. Janganlah sekali-kali merubah steker. Janganlah menggunakan steker perantara bersama dengan perkakas listrik yang mempunyai hubungan arde.** Steker yang tidak dirubah dan stopkontak yang cocok mengurangi bahaya terjadinya kontak listrik.
- ▶ **Jagalah supaya badan Anda tidak bersentuhan dengan permukaan yang mempunyai hubungan arde, misalnya pipa-pipa, radiator pemanas ruangan, kompor listrik dan lemari es.** Ada risiko besar terjadi kontak listrik, jika badan Anda mempunyai hubungan arde.
- ▶ **Jagalah supaya perkakas listrik tidak kena hujan atau menjadi basah.** Air yang masuk ke dalam perkakas listrik menambah risiko terjadinya kontak listrik.
- ▶ **Janganlah menyalah gunakan kabel listrik untuk mengangkat dan menggantungkan perkakas listrik atau untuk menarik steker dari stopkontak. Jagalah supaya kabel listrik tidak kena panas, minyak, pinggiran yang tajam atau bagian-bagian perkakas yang bergerak.** Kabel listrik yang rusak atau tersangkut menambah risiko terjadinya kontak listrik.
- ▶ **Jika Anda menggunakan perkakas listrik di luar gedung, gunakanlah hanya kabel sambungan yang juga cocok untuk pemakaian di luar gedung.** Penggunaan kabel sambungan yang cocok untuk pemakaian di luar gedung mengurangi risiko terjadinya kontak listrik.
- ▶ **Jika penggunaan perkakas listrik di tempat yang basah tidak bisa dihindarkan, gunakanlah sakelar pengaman terhadap arus penyimpangan.** Penggunaan sakelar pengaman terhadap arus penyimpangan mengurangi risiko terjadinya kontak listrik.

Keselamatan kerja

- ▶ **Berhati-hatilah selalu, perhatikanlah apa yang Anda kerjakan dan bekerjalah dengan seksama jika menggunakan perkakas listrik. Janganlah menggunakan perkakas listrik, jika Anda capai atau berada di bawah pengaruh narkoba, minuman keras atau obat.** Jika Anda sekejap mata saja tidak berhati-hati sewaktu menggunakan perkakas listrik, dapat terjadi luka-luka berat.
- ▶ **Pakailah pakaian dan sarana pelindung dan pakailah selalu kaca mata pelindung.** Dengan memakai pakaian dan sarana pelindung, misalnya kedok anti debu, sepatu tertutup yang tidak licin, helm pelindung atau pemalut telinga sesuai dengan pekerjaan yang dilakukan dengan perkakas listrik, bahaya terjadinya luka-luka dapat dikurangi.
- ▶ **Jagalah supaya perkakas listrik tidak dihidupkan secara tidak disengaja. Perhatikan bahwa perkakas listrik dalam penyetalan mati, jika steker disambungkan pada pengadaan listrik dan/atau aki, jika perkakas listrik diangkat atau dibawa.** Jika selama mengangkat perkakas listrik jari Anda berada pada tombol untuk menghidupkan dan mematikan atau perkakas listrik yang dalam penyetalan hidup disambungkan pada listrik, dapat terjadi kecelakaan.
- ▶ **Lepaskan semua perkakas-perkakas penyetalan atau kunci-kunci pas sebelum perkakas listrik dihidupkan.** Perkakas atau kunci yang berada di dalam bagian yang berputar dapat mengakibatkan terjadinya luka-luka.
- ▶ **Aturkan badan sedemikian sehingga Anda bisa bekerja dengan aman. Berdirilah secara mantap dan jagalah selalu keseimbangan.** Dengan demikian Anda bisa mengendalikan perkakas listrik dengan lebih baik, jika terjadi sesuatu dengan tiba-tiba.
- ▶ **Pakailah pakaian yang cocok. Janganlah memakai pakaian yang longgar atau perhiasan. Jagalah supaya rambut, pakaian dan sarung tangan tidak masuk dalam bagian-bagian perkakas yang bergerak.** Pakaian yang longgar, rambut panjang atau perhiasan dapat tersangkut dalam bagian perkakas yang bergerak.
- ▶ **Jika ada kemungkinan untuk memasang sarana penghisapan dan penampungan debu, perhatikan bahwa sarana-sarana ini telah dipasang dan digunakan dengan betul.** Penggunaan sarana penghisapan bisa mengurangi bahaya yang disebabkan debu.

Penggunaan dan penanganan perkakas listrik dengan seksama

- ▶ **Janganlah membebani perkakas listrik terlalu berat. Gunakan selalu perkakas listrik yang cocok untuk pekerjaan yang dilakukan.** Dengan perkakas listrik yang cocok Anda bekerja lebih baik dan lebih aman dalam batas-batas kemampuan yang ditentukan.
- ▶ **Janganlah menggunakan perkakas listrik yang tombolnya rusak.** Perkakas listrik yang tidak bisa dihidupkan atau dimatikan, berbahaya dan harus direparasikan.

- ▶ **Tariklah steker dari stopkontak dan/atau keluarkan aki, sebelum Anda melakukan penyetalan pada perkakas listrik, mengganti alat-alat kerja atau sebelum menyimpan perkakas listrik.** Tindakan keselamatan kerja ini mengurangi bahaya perkakas listrik hidup secara tidak disengaja.
- ▶ **Simpanlah perkakas listrik yang tidak digunakan di luar jangkauan anak-anak. Janganlah mengizinkan orang-orang yang tidak mengenal perkakas listrik ini atau yang belum membaca petunjuk-petunjuk ini, menggunakan perkakas listrik ini.** Perkakas listrik bisa menjadi berbahaya, jika digunakan oleh orang-orang yang tidak mengenalnya.
- ▶ **Rawatlah perkakas listrik dengan seksama. Periksalah, apakah bagian-bagian perkakas listrik yang bergerak berfungsi dengan baik dan tidak tersangkut, apakah ada bagian-bagian yang patah atau rusak sedemikian, sehingga dapat mempengaruhi jalannya perkakas listrik. Biarkan bagian-bagian perkakas yang rusak direparasikan, sebelum Anda mulai menggunakan perkakas listrik.** Banyak kecelakaan terjadi karena perkakas listrik tidak dirawat dengan seksama.
- ▶ **Perhatikan supaya alat-alat pemotong selalu tajam dan bersih.** Alat-alat pemotong dengan mata-mata pemotong yang tajam dan dirawat dengan seksama tidak mudah tersangkut dan lebih mudah dikendalikan.
- ▶ **Gunakanlah semua perkakas listrik, aksesoris, alat-alat kerja dsb. sesuai dengan petunjuk-petunjuk. Perhatikan syarat-syarat kerja dan macam pekerjaan yang dilakukan.** Penggunaan perkakas listrik untuk macam pekerjaan yang tidak cocok dengan kegunaannya bisa mengakibatkan keadaan yang berbahaya.

Servis

- ▶ **Biarkan perkakas listrik Anda direparasikan hanya oleh orang-orang ahli yang berpengalaman dan hanya dengan menggunakan suku cadang yang asli.** Dengan demikian terjamin keselamatan kerja dengan perkakas listrik ini secara sinambung.

Petunjuk-petunjuk untuk keselamatan kerja untuk mesin bor

- ▶ **Peganglah perkakas listrik hanya pada pegangan yang terisolir, jika Anda melakukan pekerjaan di mana alat kerjanya atau sekrup bisa terkena pada saluran listrik yang tidak terlihat atau kabelnya sendiri.** Sentuhan pada kabel yang bertegangan dapat mengakibatkan bagian-bagian logam dari perkakas listrik juga bertegangan dan lalu mengakibatkan kontak listrik.
- ▶ **Gunakanlah alat detektor logam yang cocok untuk mencari kabel dan pipa pengadaan yang tidak terlihat, atau hubungi perusahaan pengadaan setempat.** Sentuhan dengan kabel-kabel listrik bisa mengakibatkan api dan kontak listrik. Pipa gas yang dirusak bisa mengakibatkan ledakan. Pipa air yang dirusak mengakibatkan barang-barang menjadi rusak.
- ▶ **Matikanlah segera perkakas listrik, jika alat kerjanya memblok. Berwaspadalah akan terjadinya momen**

24 | Bahasa Indonesia

reaksi yang besar yang mengakibatkan bantingan. Alat kerja memblok jika:

- perkakas listrik dibebankan terlalu berat atau
- alat kerja tersangkut dalam benda yang dikerjakan.

- ▶ **Usahakan supaya benda yang dikerjakan tidak goyang.** Benda yang ditahan dalam alat pemegang atau bais lebih mantap daripada benda yang dipegang dengan tangan.
- ▶ **Sebelum meletakkan perkakas listrik, tunggulah sampai perkakas berhenti memutar.** Alat kerja bisa tersangkut dan membuat perkakas listrik tidak bisa dikendalikan.

Penjelasan tentang produk dan daya



Bacalah semua petunjuk-petunjuk untuk keselamatan kerja dan petunjuk-petunjuk untuk penggunaan. Kesalahan dalam menjalankan petunjuk-petunjuk untuk keselamatan kerja dan petunjuk-petunjuk untuk penggunaan dapat mengakibatkan kontak listrik, kebakaran dan/atau luka-luka yang berat.

Penggunaan perkakas listrik

Perkakas listrik ini cocok untuk membor di kayu, logam, keramik dan bahan sintetis. Perkakas listrik dengan pengendalian secara elektronika dan arah putaran ke kanan/kiri juga cocok untuk menyekrup dan mantap.

Bagian-bagian pada gambar

Nomor-nomor dari bagian-bagian perkakas pada gambar sesuai dengan gambar perkakas listrik pada halaman bergambar.

- 1 Cekaman mata bor pakai kunci bergigi
- 2 Jepitan tempat menggantungkan
- 3 Pegangan (genggaman terisolir)
- 4 Tombol pengunci untuk tombol untuk menghidupkan dan mematikan mesin
- 5 Tombol untuk menghidupkan dan mematikan
- 6 Omsakelar arah putaran (GBM 13 RE)
- 7 Kunci cekaman mata bor
- 8 Mata obeng bit*
- 9 Pemegang mata obeng bit*

*Aksesori yang ada pada gambar atau yang dijelaskan, tidak termasuk pasokan standar. Semua aksesori yang ada bisa Anda lihat dalam program aksesori Bosch.

Data teknis

Mesin bor		GBM 13 Professional	GBM 13 RE Professional
Nomor model		3 601 D77 0..	3 601 D77 5..
Masukan nominal	W	600	600
Daya	W	360	360
Kecepatan putaran tanpa beban	min ⁻¹	2600	0 – 2600
Kecepatan putaran nominal	min ⁻¹	1676	1676
Momen putar nominal	Nm	20	20
Leher poros Ø	mm	43	43
Pengendalian kecepatan putaran		–	●
Putaran ke kanan/kiri		–	●
Ø mata bor maks.			
– Baja	mm	13	13
– Kayu	mm	30	30
– Aluminium	mm	13	13
Kepala cekam yang bisa memegang mata bor	mm	1,5 – 13	1,5 – 13
Berat sesuai dengan EPTA-Procedure 01/2003	kg	1,7	1,7
Klasifikasi keamanan		□/II	□/II

Data-data berlaku untuk tegangan nominal [U] 230 V. Pada tegangan yang lebih rendah dan pada model khusus mancanegara data-data ini bisa berlainan.

Perhatikanlah nomor model perkakas listrik Anda yang tercantum pada label tipe mesin. Nama dagang dari beberapa perkakas listrik bisa berbeda.

Cara memasang

Mengganti alat kerja

- ▶ **Sebelum mulai dengan pekerjaan pada perkakas listrik, tariklah steker dari stopkontak.**
- ▶ **Pakailah sarung tangan pelindung pada waktu mengganti alat kerja.** Cekaman mata bor bisa menjadi sangat panas jika digunakan untuk waktu yang lama.

Cekaman mata bor pakai kunci bergigi (lihat gambar A)

Bukakan cekaman mata bor pakai kunci bergigi **1** dengan cara memutarannya, sampai alat kerja bisa dipasangkan. Pasangkan alat kerja.

Masukkan kunci cekaman mata bor **7** ke dalam lubang-lubang dari cekaman mata bor pakai kunci bergigi **1** dan kencangkan alat kerja secara rata.

Alat kerja untuk menyekrup (lihat gambar B)

Jika digunakan mata obeng bit **8**, gunakan selalu pemegang mata obeng bit **9**. Gunakanlah hanya mata obeng bit yang cocok pada kepala sekrup.

Mengganti cekaman mata bor

Pada perkakas listrik tanpa penguncian poros, cekaman mata bor harus digantikan oleh satu Service Center untuk perkakas listrik dari Bosch yang resmi.



Cekaman mata bor harus dikencangkan dengan momen kunci baut sebesar kira-kira 31 – 35 Nm.

Penghisapan debu/serbuk

- ▶ Debu dari bahan-bahan seperti misalnya cat yang mengandung timbel (timah hitam), beberapa jenis kayu, bahan mineral dan logam bisa berbahaya bagi kesehatan. Menyentuh atau menghirup debu-debu ini bisa mengakibatkan reaksi alergi dan/atau penyakit saluran pernafasan dari orang yang menggunakan mesin atau orang yang berada di dekatnya. Beberapa debu tertentu seperti misalnya debu kayu pohon quercus atau pohon fagus silvatica dianggap bisa mengakibatkan penyakit kanker, terutama dalam campuran dengan bahan-bahan tambahan untuk pengolahan kayu (kromat, obat pengawet kayu). Bahan-bahan yang mengandung asbes hanya boleh dikerjakan oleh orang-orang yang ahli.
 - Perhatikanlah supaya ada pertukaran udara di tempat kerja.
 - Kami anjurkan supaya Anda memakai kedok anti debu dengan saringan (filter) kelas P2.

Taatilah peraturan-peraturan untuk bahan-bahan yang dikerjakan yang berlaku di negara Anda.

- ▶ **Hindari debu yang banyak terkumpul di tempat kerja.** Debu dapat menyulut dengan mudahnya.

Penggunaan**Cara penggunaan**

- ▶ **Perhatikan tegangan jaringan listrik! Tegangan jaringan listrik harus sesuai dengan tegangan listrik yang tercantum pada label tipe perkakas listrik.**

Menyetel arah putaran (GBM 13 RE) (lihat gambar C)

Dengan omsakelar arah putaran **6** Anda bisa merubah arah putaran dari perkakas listrik. Akan tetapi ini tidak mungkin jika tombol untuk menghidupkan dan mematikan mesin **5** sedang ditekan.

Arah putaran ke kanan: untuk membor dan memutar masuk sekrap, tekan omsakelar arah putaran **6** ke kiri sampai batas.

Arah putaran ke kiri: untuk melepaskan atau memutar ke luar sekrap dan mur, tekan omsakelar arah putaran **6** ke kanan sampai batas.

Menghidupkan/mematikan perkakas listrik

Untuk **menghidupkan**, tekan tombol untuk menghidupkan dan mematikan **5** dan tahan tekanan.

Untuk **mengunci** tombol untuk menghidupkan dan mematikan **5** yang tertekan, tekan tombol pengunci **4**.

Untuk **mematikan**, lepaskan tombol untuk menghidupkan dan mematikan **5** atau jika dikunci dengan tombol pengunci **4**, tekan sebentar tombol **5** dan lepaskan.

Menyetel kecepatan putaran (GBM 13 RE)

Anda bisa menyetel kecepatan putaran tanpa tingkatan pada perkakas listrik yang hidup, tergantung dari tekanan pada tombol untuk menghidupkan dan mematikan mesin **5**.

Tekanan ringan pada tombol **5** mengakibatkan kecepatan putaran yang rendah. Tekanan yang lebih besar mengakibatkan kecepatan putaran yang lebih tinggi.

Petunjuk-petunjuk untuk pemakaian

- ▶ **Pasangkan perkakas listrik pada mur/sekrup hanya jika perkakas listrik dalam keadaan mati.** Alat kerja-alat kerja yang berputar bisa meleset.

Untuk pemboran dalam logam, gunakanlah hanya mata bor HSS (HSS = High Speed Steel, baja cepat) yang mulus dan telah diasah. Mutu ini dipenuhi oleh program aksesoris dari Bosch.

Dengan alat pengasah mata bor (aksesori), Anda bisa mengasah mata bor spiral dengan garis tengah 2,5 – 10 mm tanpa kesulitan.

Jepitan tempat menggantungkan

Dengan jepitan tempat menggantungkan **2**, Anda bisa menggantungkan perkakas listrik, misalnya pada satu tali pengikat. Dengan demikian Anda tidak perlu memegang perkakas listrik dan perkakas listrik tetap berada di dekat Anda.

Rawatan dan servis**Rawatan dan kebersihan**

- ▶ **Sebelum mulai dengan pekerjaan pada perkakas listrik, tarikh steker dari stopkontak.**
- ▶ **Perkakas listrik dan lubang ventilasi harus selalu dibersihkan supaya perkakas bisa digunakan dengan baik dan aman.**

Jika kabel listrik harus digantikan, pekerjaan ini harus dilakukan oleh Bosch atau Service Center untuk perkakas listrik Bosch yang resmi, supaya keselamatan kerja selalu terjamin.

Jika pada suatu waktu perkakas listrik ini tidak bisa berjalan meskipun telah diproduksi dan diperiksa dengan seksama, maka perarasannya harus dilakukan oleh Service Center perkakas listrik Bosch yang resmi.

Jika Anda hendak menanyakan sesuatu atau memesan suku cadang, sebutkan selalu nomor model yang terdiri dari 10 angka dan tercantum pada label tipe perkakas.

Layanan pasca beli dan konsultasi bagi pelanggan

Layanan pasca beli Bosch menjawab semua pertanyaan Anda tentang reparasi dan perawatan serta tentang suku cadang produk ini. Gambar tiga dimensi dan informasi tentang suku cadang bisa Anda lihat di:

26 | Tiếng Việt

www.bosch-pt.com

Tim konsultan Bosch dengan senang hati membantu Anda pada pembelian, penggunaan dan penyetulan produk ini dan aksesoriinya.

Indonesia

PT. Multi Tehaka
Kawasan Industri Pulogadung
Jalan Rawa Gelam III No. 2
Jakarta 13930
Indonesia
Tel.: +62 (21) 46 83 25 22
Fax: +62 (21) 46 82 86 45/68 23
E-Mail: sales@multitehaka.co.id
www.multitehaka.co.id

Cara membuang

Perkakas listrik, aksesoris dan kemasan sebaiknya didaur ulangkan sesuai dengan upaya untuk melindungi lingkungan hidup.

Janganlah membuang perkakas listrik dalam sampah rumah tangga!

Perubahan adalah hak Bosch.

Tiếng Việt

Các Nguyên Tắc An Toàn

Cảnh báo tổng quát cách sử dụng an toàn dụng cụ điện cầm tay

⚠ CẢNH BÁO Đọc kỹ mọi cảnh báo an toàn và hướng dẫn. Không tuân thủ mọi cảnh báo và hướng dẫn được liệt kê dưới đây có thể bị điện giật, gây cháy và/hay bị thương tật nghiêm trọng.

Hãy giữ tất cả tài liệu về cảnh báo và hướng dẫn để tham khảo về sau.

Thuật ngữ “dụng cụ điện cầm tay” trong phần cảnh báo là đề cập đến sự sử dụng dụng cụ điện cầm tay của bạn, loại sử dụng điện nguồn (có dây cắm điện) hay vận hành bằng pin (không dây cắm điện).

Khu vực làm việc an toàn

- ▶ **Giữ nơi làm việc sạch và đủ ánh sáng.** Nơi làm việc bừa bộn và tối tăm dễ gây ra tai nạn.
- ▶ **Không vận hành dụng cụ điện cầm tay trong môi trường dễ gây nổ, chẳng hạn như nơi có chất lỏng dễ cháy, khí đốt hay rác.** Dụng cụ điện cầm tay tạo ra các tia lửa nên có thể làm rác bén cháy hay bốc khói.
- ▶ **Không để trẻ em hay người đến xem đứng gần khi vận hành dụng cụ điện cầm tay.** Sự phân tâm có thể gây ra sự mất điều khiển.

An toàn về điện

- ▶ **Phích cắm của dụng cụ điện cầm tay phải thích hợp với ổ cắm. Không bao giờ được cải biến lại phích cắm dưới mọi hình thức. Không được sử dụng phích tiếp hợp nối tiếp đất (dây mát).** Phích cắm nguyên bản và ổ cắm đúng loại sẽ làm giảm nguy cơ bị điện giật.
- ▶ **Tránh không để thân thể tiếp xúc với đất hay các vật có bề mặt tiếp đất như đường ống, lò sưởi, hàng rào và tủ lạnh.** Có nhiều nguy cơ bị điện giật hơn nếu cơ thể bạn bị tiếp hay nối đất.
- ▶ **Không được để dụng cụ điện cầm tay ngoài mưa hay ở tình trạng ẩm ướt.** Nước vào máy sẽ làm tăng nguy cơ bị điện giật.
- ▶ **Không được lạm dụng dây dẫn điện. Không bao giờ được nắm dây dẫn để xách, kéo hay rút phích cắm dụng cụ điện cầm tay. Không để dây gần nơi có nhiệt độ cao, dầu nhớt, vật nhọn bén hay bộ phận chuyển động.** Làm hỏng hay cuộn rối dây dẫn làm tăng nguy cơ bị điện giật.
- ▶ **Khi sử dụng dụng cụ điện cầm tay ngoài trời, dùng dây nối thích hợp cho việc sử dụng ngoài trời.** Sử dụng dây nối thích hợp cho việc sử dụng ngoài trời làm giảm nguy cơ bị điện giật.
- ▶ **Nếu việc sử dụng dụng cụ điện cầm tay ở nơi ẩm ướt là không thể tránh được, dùng thiết bị ngắt mạch tự động (RCD) bảo vệ nguồn.** Sử dụng thiết bị thiết bị ngắt mạch tự động RCD làm giảm nguy cơ bị điện giật.

An toàn cá nhân

- ▶ **Hãy tỉnh táo, biết rõ mình đang làm gì và hãy sử dụng ý thức khi vận hành dụng cụ điện cầm tay.** Không sử dụng dụng cụ điện cầm tay khi đang mệt mỏi hay đang bị tác động do chất gây nghiện, rượu hay dược phẩm gây ra. Một thoáng mất tập trung khi đang vận hành dụng cụ điện cầm tay có thể gây thương tích nghiêm trọng cho bản thân.
- ▶ **Sử dụng trang bị bảo hộ cá nhân. Luôn luôn đeo kính bảo vệ mắt.** Trang bị bảo hộ như khẩu trang, giày chống trượt, nón bảo hộ, hay dụng cụ bảo vệ tai khi được sử dụng đúng nơi đúng chỗ sẽ làm giảm nguy cơ thương tật cho bản thân.
- ▶ **Phòng tránh máy khởi động bất ngờ. Bảo đảm công tắc máy ở vị trí tắt trước khi cắm vào nguồn điện và/hay lắp pin vào, khi nhắc máy lên hay khi mang xách máy.** Ngáng ngón tay vào công tắc máy để xách hay kích hoạt dụng cụ điện cầm tay khi công tắc ở vị trí mở để dẫn đến tai nạn.

- ▶ **Lấy mọi chia hay khóa điều chỉnh ra trước khi mở điện dụng cụ điện cầm tay.** Khóa hay chìa còn gắn dính vào bộ phận quay của dụng cụ điện cầm tay có thể gây thương tích cho bản thân.
- ▶ **Không rướn người.** Luôn luôn giữ tư thế đứng thích hợp và thăng bằng. Điều này tạo cho việc điều khiển dụng cụ điện cầm tay tốt hơn trong mọi tình huống bất ngờ.
- ▶ **Trang phục thích hợp. Không mặc quần áo rộng lủng thụng hay mang trang sức. Giữ tóc, quần áo và găng tay xa khỏi các bộ phận chuyển động.** Quần áo rộng lủng thụng, đồ trang sức hay tóc dài có thể bị cuốn vào các bộ phận chuyển động.
- ▶ **Nếu có các thiết bị đi kèm để nối máy hút bụi và các phụ kiện khác, bảo đảm các thiết bị này được nối và sử dụng tốt.** Việc sử dụng các thiết bị bị gom hút bụi có thể làm giảm các độc hại liên quan đến bụi gây ra.

Sử dụng và bảo dưỡng dụng cụ điện cầm tay

- ▶ **Không được ép máy.** Sử dụng dụng cụ điện cầm tay đúng loại theo đúng ứng dụng của bạn. Dụng cụ điện cầm tay đúng chức năng sẽ làm việc tốt và an toàn hơn theo đúng tiến độ mà máy được thiết kế.
- ▶ **Không sử dụng dụng cụ điện cầm tay nếu như công tác không tắt và mở được.** Bất kỳ dụng cụ điện cầm tay nào mà không thể điều khiển được bằng công tắc là nguy hiểm và phải được sửa chữa.
- ▶ **Rút phích cắm ra khỏi nguồn điện và/hay pin ra khỏi dụng cụ điện cầm tay trước khi tiến hành bất kỳ điều chỉnh nào, thay phụ kiện, hay cắt dụng cụ điện cầm tay.** Các biện pháp ngăn ngừa như vậy làm giảm nguy cơ dụng cụ điện cầm tay khởi động bất ngờ.
- ▶ **Cất giữ dụng cụ điện cầm tay không dùng tới nơi trẻ em không lấy được và không cho người chưa từng biết dụng cụ điện cầm tay hay các hướng dẫn này sử dụng dụng cụ điện cầm tay.** Dụng cụ điện cầm tay nguy hiểm khi ở trong tay người chưa được chỉ cách sử dụng.
- ▶ **Bảo quản dụng cụ điện cầm tay. Kiểm tra xem các bộ phận chuyển động có bị sai lệch hay kẹt, các bộ phận bị rạn nứt và các tình trạng khác có thể ảnh hưởng đến sự vận hành của máy. Nếu bị hư hỏng, phải sửa chữa máy trước khi sử dụng.** Nhiều tai nạn xảy ra do bảo quản dụng cụ điện cầm tay tồi.

- ▶ **Giữ các dụng cụ cắt bén và sạch.** Bảo quản đúng cách các dụng cụ cắt có cạnh cắt bén làm giảm khả năng bị kẹt và dễ điều khiển hơn.
- ▶ **Sử dụng dụng cụ điện cầm tay, phụ kiện, đầu cài v. v., đúng theo các chỉ dẫn này, hãy lưu ý đến điều kiện làm việc và công việc phải thực hiện.** Sử dụng dụng cụ điện cầm tay khác với mục đích thiết kế có thể tạo nên tình huống nguy hiểm.

Bảo dưỡng

- ▶ **Đưa dụng cụ điện cầm tay của bạn đến thợ chuyên môn để bảo dưỡng, chỉ sử dụng phụ tùng đúng chủng loại để thay.** Điều này sẽ đảm bảo sự an toàn của máy được giữ nguyên.

Cảnh Báo An Toàn Việc Sử Dụng Khoan

- ▶ **Nắm dụng cụ ở bề mặt phần nắm đã được cách điện khi thực hiện việc gia công ở những nơi mà dụng cụ ứng dụng hay dính vít có thể chạm phải đường dây dẫn điện dấu hay chính dây dẫn điện của máy.** Chạm phải dây "có điện" cũng sẽ làm cho các bộ phận kim loại phủ trần của dụng cụ điện "có điện", và làm cho người vận hành máy bị điện giật.
- ▶ **Sử dụng thiết bị dò tìm thích hợp để xác định các đường hay ống dẫn công ích nằm âm trong khu vực làm việc hay liên hệ với cty công trình phúc lợi để nhờ giúp đỡ.** Tiếp xúc với dây điện có thể dẫn đến cháy và bị điện giật. Chạm đường dẫn khí đốt có thể gây nổ. Làm thủng ống dẫn nước có thể làm hư hại tài sản hay có thể gây ra điện giật.
- ▶ **Tắt máy ngay lập tức khi dụng cụ lắp vào máy đột nhiên bị nghẽn chặt. Đề phòng lực vận mạnh có thể được tạo ra do sự giật ngược.** Dụng cụ lắp vào có thể bị nghẽn chặt khi:
 - dụng cụ điện cầm tay bị quá tải hay
 - bị chèn chặt trong vật gia công.
- ▶ **Kẹp chặt vật gia công.** Vật gia công được kẹp bằng một thiết bị kẹp hay bằng êtô thì vững chắc hơn giữ bằng tay.
- ▶ **Luôn luôn đợi cho máy hoàn toàn ngừng hẳn trước khi đặt xuống.** Dụng cụ lắp vào máy có thể bị kẹp chặt dẫn đến việc dụng cụ điện cầm tay bị mất điều khiển.

28 | Tiếng Việt

Mô Tả Sản Phẩm và Đặc Tính Kỹ Thuật



Đọc kỹ mọi cảnh báo an toàn và mọi hướng dẫn. Không tuân thủ mọi cảnh báo và hướng dẫn được liệt kê dưới đây có thể bị điện giật, gây cháy và/hay bị thương tật nghiêm trọng.

Dành sử dụng cho

Máy được thiết kế để khoan gỗ, kim loại, gốm và nhựa dẻo. Máy có bộ phận kiểm soát điện tử và quay được hai chiều: trái và phải, cũng thích hợp cho việc vận vít và cắt ren bằng tarô.

Biểu trưng của sản phẩm

Sự đánh số các biểu trưng của sản phẩm là để tham khảo hình minh họa của máy trên trang hình ảnh.

- 1 Mâm cặp khoan loại dùng chìa
- 2 Móc cài dây thắt lưng
- 3 Tay nắm (bề mặt nắm cách điện)
- 4 Nút khóa giữ chế độ tự-chạy của công tắc Tắt/Mở
- 5 Công tắc Tắt/Mở
- 6 Gạc vận chuyển đổi chiều quay (GBM 13 RE)
- 7 Khóa của mâm cặp
- 8 Đầu vít*
- 9 Đầu nối phổ thông*

*Phụ tùng được trình bày hay mô tả không phải là một phần của tiêu chuẩn hàng hóa được giao kèm theo sản phẩm. Bạn có thể tham khảo tổng thể các loại phụ tùng, phụ kiện trong chương trình phụ tùng của chúng tôi.

Thông số kỹ thuật

Khoan xoay	GBM 13		GBM 13 RE	
	Professional	Professional	Professional	Professional
Mã số máy	3 601 D77 0..		3 601 D77 5..	
Công suất vào danh định	W	600		600
Công suất ra	W	360		360
Tốc độ không tải	v/p	2600		0 – 2600
Tốc độ danh định	v/p	1676		1676
Lực vận danh định	Nm	20		20
Đường kính cổ trục	mm	43		43
Điều khiển tốc độ		–		●
Quay Phải/Trái		–		●

Các giá trị đã cho có hiệu lực cho điện thế danh định [U] 230 V. Đối với điện thế thấp hơn và các loại máy dành riêng cho một số quốc gia, các giá trị này có thể thay đổi.
Xin vui lòng xem kỹ mã số máy trên nhãn máy của bạn. Tên thương mại của từng máy có thể khác nhau.

Khoan xoay	GBM 13		GBM 13 RE	
	Professional	Professional	Professional	Professional
Đường kính khoan tối đa				
– Thép	mm	13		13
– Gỗ	mm	30		30
– Nhôm	mm	13		13
Phạm vi mâm cặp kẹp được	mm	1,5 – 13		1,5 – 13
Trọng lượng theo Qui trình EPTA-Procedure 01/2003 (chuẩn EPTA 01/2003)	kg	1,7		1,7
Cấp độ bảo vệ		□/II		□/II

Các giá trị đã cho có hiệu lực cho điện thế danh định [U] 230 V. Đối với điện thế thấp hơn và các loại máy dành riêng cho một số quốc gia, các giá trị này có thể thay đổi.
Xin vui lòng xem kỹ mã số máy trên nhãn máy của bạn. Tên thương mại của từng máy có thể khác nhau.

Sự lắp vào

Thay Dụng Cụ

- ▶ Trước khi tiến hành bất cứ việc gì trên máy, kéo phích cắm điện nguồn ra.
- ▶ Mang găng tay bảo hộ khi thay dụng cụ. Mâm cặp có thể trở nên rất nóng trong suốt thời gian dài liên tục hoạt động.

Mâm Cặp Khoan Dùng Khóa (xem hình A)

Mở mâm cặp khoan dùng khóa 1 bằng cách vận cho đến khi dụng cụ có thể lắp vào được. Lắp dụng cụ vào.

Tra khóa mâm cặp vào 7 trong các lỗ tương ứng của mâm cặp khoan dùng khóa 1 và vận để kẹp dụng cụ lại một cách đồng bộ.

Dụng Cụ Bất Vít (xem hình B)

Khi làm việc với các mũi vít 8, luôn luôn nên sử dụng 9 loại đầu nối phổ thông. Chỉ dùng mũi vít vừa khớp với đầu vít.

Thay Mâm Cặp Khoan

Đối với loại dụng cụ cầm tay không có khóa trực, khi thay mâm cặp phải được đại lý phục vụ hàng sau khi bán do dụng cụ điện cầm tay Bosch ủy quyền thực hiện.



Mâm cặp khoan phải được siết chặt với lực vận vào khoảng 31–35 Nm.

Hút Dặm/Bụi

► Mặt bụi từ các vật liệu được sơn phủ ngoài có chứa chì trên một số loại gỗ, khoáng vật và kim loại có thể gây nguy hại đến sức khỏe con người. Dụng cụ hay hít thở các bụi này có thể làm người sử dụng hay đứng gần bị dị ứng và/hoặc gây nhiễm trùng hệ hô hấp.

Một số mặt bụi cụ thể, ví dụ như bụi gỗ sồi hay đậu, được xem là chất gây ung thư, đặc biệt là có liên quan đến các chất phụ gia dùng xử lý gỗ (chất cromat, chất bảo quản gỗ). Có thể chỉ nên để thợ chuyên môn gia công các loại vật liệu có chứa amiăng.

- Tạo không khí thông thoáng nơi làm việc.
- Khuyến nghị nên mang mặt nạ phòng độc có bộ lọc cấp P2.

Tuân thủ các qui định của quốc gia bạn liên quan đến loại vật liệu gia công.

► **Tránh không để rác tích tụ tại nơi làm việc.** Rác có thể dễ dàng bắt lửa.

Vận Hành

Bắt Đầu Vận Hành

► **Tuân thủ theo đúng điện thế! Điện thế nguồn phải đúng với điện thế đã ghi rõ trên nhãn máy.**

Đảo Chiều Quay (GBM 13 RE)
(xem hình C)

Gạt chuyển đổi chiều quay 6 được sử dụng để đảo lại chiều quay của máy. Tuy nhiên, việc này không thể thực hiện được cùng lúc với công tắc Tắt/Mở 5 đang hoạt động.

Chiều Quay Phải: Để khoan hay bắt vít vào, đẩy gạt chuyển đổi chiều quay 6 về hết bên trái.

Chiều Quay Trái: Để rời hay là tháo vít hay là đai ốc, nhấn gạt chuyển đổi chiều quay 6 qua hết bên phải.

Bật Mở và Tắt

Để khởi động máy, nhấn công tắc Tắt/Mở 5 và nhấn giữ xuống.

Để khóa, nhấn công tắc Tắt/Mở 5, nhấn nút khóa tự-chạy 4 vào.

Để tắt máy, nhấn công tắc Tắt/Mở 5 ra hay khi công tắc đã được khóa bằng nút khóa tự-chạy 4, nhấn nhanh công tắc Tắt/Mở 5 và rời nhả ra.

Điều chỉnh tốc độ (GBM 13 RE)

Tốc độ của dụng cụ điện cầm tay đang hoạt động có thể điều chỉnh thay đổi, tùy theo độ nông sâu của công tắc Tắt/Mở 5 được bóp vào.

Lực nhấn nhẹ lên công tắc Tắt/Mở 5 tạo ra tốc độ quay thấp. Tăng lực nhấn lên công tắc làm tăng tốc độ quay.

Hướng Dẫn Sử Dụng

► **Tra dụng cụ điện cầm tay vào vít/đai ốc chỉ khi đã tắt công tắc.** Dụng cụ gắn trong máy đang xoay có thể trượt ra ngoài.

Để khoan kim loại, chỉ nên dùng mũi khoan thép gió HSS thật sắc bén (HSS = thép tốc độ cao). Chất lượng đáp ứng chuẩn được đảm bảo trong chương trình phụ kiện của Bosch.

Mũi khoan xoắn ốc từ 2,5–10 mm có thể dễ dàng mài bén lại bằng dụng cụ mài mũi khoan (xem phần phụ kiện).

Móc Cài Dây Thắt Lưng

Với móc cài dây thắt lưng 2, máy có thể cài vào dây thắt lưng. Hai tay người sử dụng không bị vướng bận và máy thì luôn ở bên cạnh.

Bảo Dưỡng và Bảo Quản

Bảo Dưỡng Và Làm Sạch

► **Trước khi tiến hành bất cứ việc gì trên máy, kéo phích cắm điện nguồn ra.**

► **Để được an toàn và máy hoạt động đúng chức năng, luôn luôn giữ máy và các khe thông gió được sạch.**

Nếu như cần phải thay dây dẫn điện thì công việc này phải do hãng Bosch, hay một đại lý được Bosch ủy nhiệm thực hiện để tránh gặp sự nguy hiểm do mất an toàn.

Nếu giả như máy bị trục trặc dù đã được theo dõi cẩn thận trong quá trình sản xuất và đã qua chạy kiểm tra, sự sửa chữa phải do trung tâm bảo hành-bảo trì dụng cụ điện cầm tay Bosch thực hiện.

Trong mọi thư từ giao dịch và đơn đặt hàng phụ tùng, xin vui lòng luôn viết đủ 10 con số đã được ghi trên nhãn máy.

Dịch vụ hỗ trợ khách hàng và bảo hành-bảo trì

Bộ phận phục vụ hàng sau khi bán của chúng tôi trả lời các câu hỏi liên quan đến việc bảo dưỡng và sửa chữa các sản phẩm cũng như phụ tùng thay thế của bạn. Sơ đồ mô tả và thông tin về phụ tùng thay thế cũng có thể tra cứu theo dưới đây:

www.bosch-pt.com

Các nhân viên tư vấn khách hàng của chúng tôi trả lời các câu hỏi của bạn liên quan đến việc mua sản phẩm nào là tốt nhất, cách ứng dụng và điều chỉnh sản phẩm và các phụ kiện.

30 | Tiếng Việt

Việt Nam

Công ty Trách Nhiệm Hữu Hạn Robert Bosch
Việt Nam, PT/SVN
Tầng 10, 194 Golden Building
473 Điện Biên Phủ
Phường 25, Quận Bình Thạnh
Thành Phố Hồ Chí Minh
Việt Nam
Tel.: +84 (8) 6258 3690 Ext 413
Fax: +84 (8) 6258 3692
hieu.lagia@vn.bosch.com
www.bosch-pt.com

Thải bỏ

Máy, linh kiện và bao bì phải được phân loại để tái chế theo hướng thân thiện với môi trường.

Không được thải bỏ dụng cụ điện vào chung với rác sinh hoạt!

Được quyền thay đổi nội dung mà không phải thông báo trước.

