



ENGLISH

Datasheet

Stock No: 689-401

RS Pro Steel M6 Ball & Socket Joint, 32.5mm x 30mm



Product Details

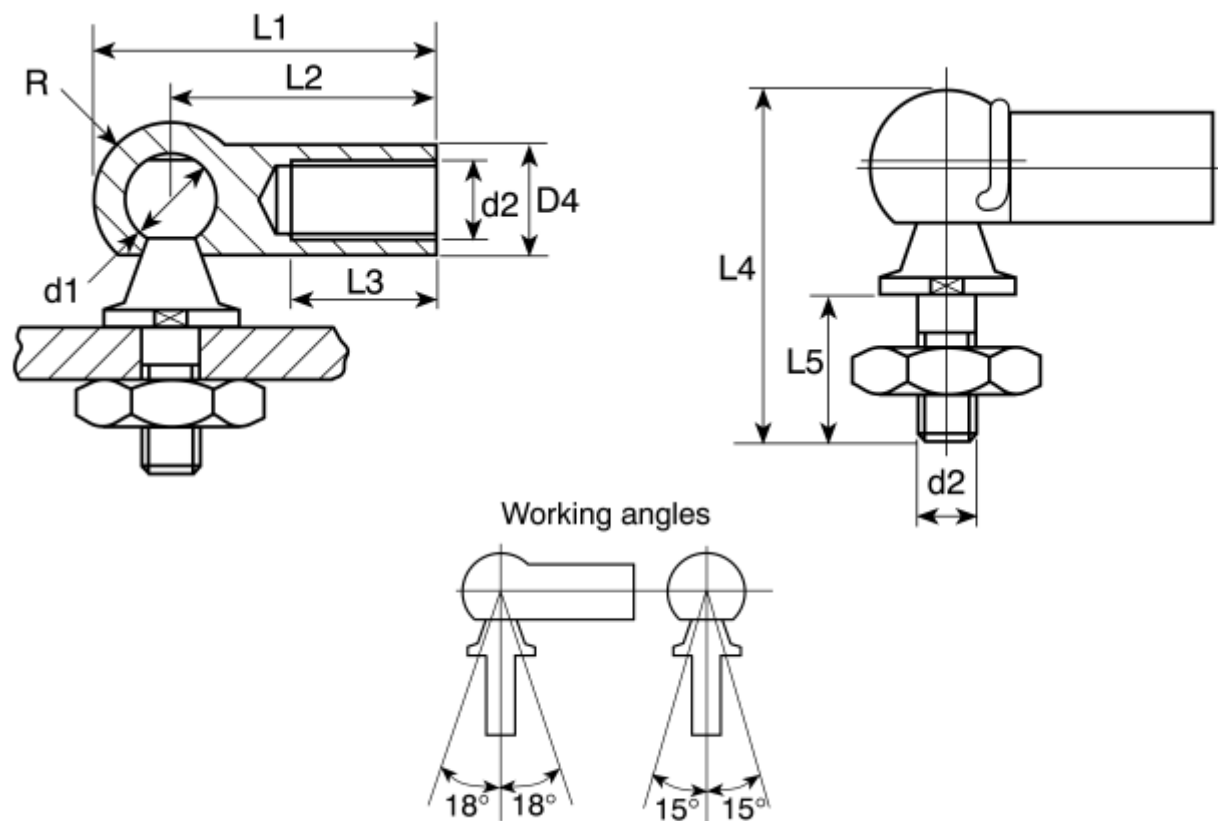
Ball and Socket Joints

Made to DIN71802 with zinc passivated finish
Induction hardened balls are wear resistant
Security clips retain ball studs in sockets
Static pull values for radial and axial loads
Supplied with locknut

Specifications:

Accessory Type	Ball & Socket Joint
Rod Connection Thread	M6
Ball Diameter	10mm
Overall Length	32.5mm
Overall Width	30mm
Material	Steel
Finish	Zinc Passivated

Dimensions:



Dimensions (mm)											
Size mm	D1	D2	D4	L1	L2	L3	L4	L5	R	A/F	min.pull-off force in N
5	8	M5	8	28.5	22	10.5	25	10.2	10.2	6.4	30
6	10	M6	10	32.5	25	11.5	30	12.5	7.5	8	40
8	13	M8	13	39.5	30	14.0	38	16.5	9.7	11	60
10	16	M10	16	47.0	35	15.5	47.5	20.0	12.0	13	80