

Product Information



8470UOO100P62

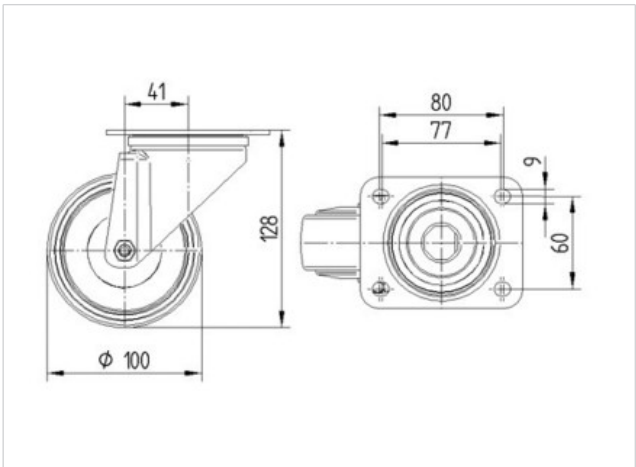
EAN 4031582312690

Swivel castor, housing made of Stainless Steel, double ball bearing swivel head, wheel axle with nut, plate fitting.

Wheel centre made of Polyamide, plain bearing

Technical Data	
Wheel diameter	100 mm
Width of Tread	36 mm
Size of Plate	105 x 85 mm
Plate hole centres	80/77 x 60 mm
Plate hole	9 mm
Offset	41 mm
Swivel Interference	182 mm
Overall height	128 mm
Temperature	- 40 / + 80 °C
Standard	EN 12532
Weight	0.71 kg
Swivel Radius	91 mm
Hardness of tread	D 75 Shore
Load capacity	200 kg
Load capacity (static)	400 kg

Roll performance	+	+	+	+	+
Movement noise	+	+	+	+	+
Attrition	+	+	+	+	+
Corrosion resistance	+	+	+	+	+



Product Information



8470UOO100P62

EAN 4031582312690

