



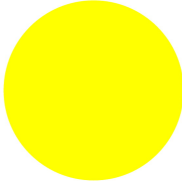
Emerg.stop label



Powering Business Worldwide™

Part no. M22-XAK
Article no. 216464
Catalog No. M22-XAKQ

Delivery programme

Product range			RMQ-Titan (drilling dimensions 22.5 mm)
Basic function			Accessories
Basic function accessories			Emergency-stop labels Emergency stop labels
Single unit/Complete unit			Single unit
Form			Diameter = 90 mm
Name			Blank
Colour			Yellow
			
RAL Value			RAL 1004
Protection type			IP66
Connection to SmartWire-DT			no
Notes			
Lettering black			

Approvals

North America Certification

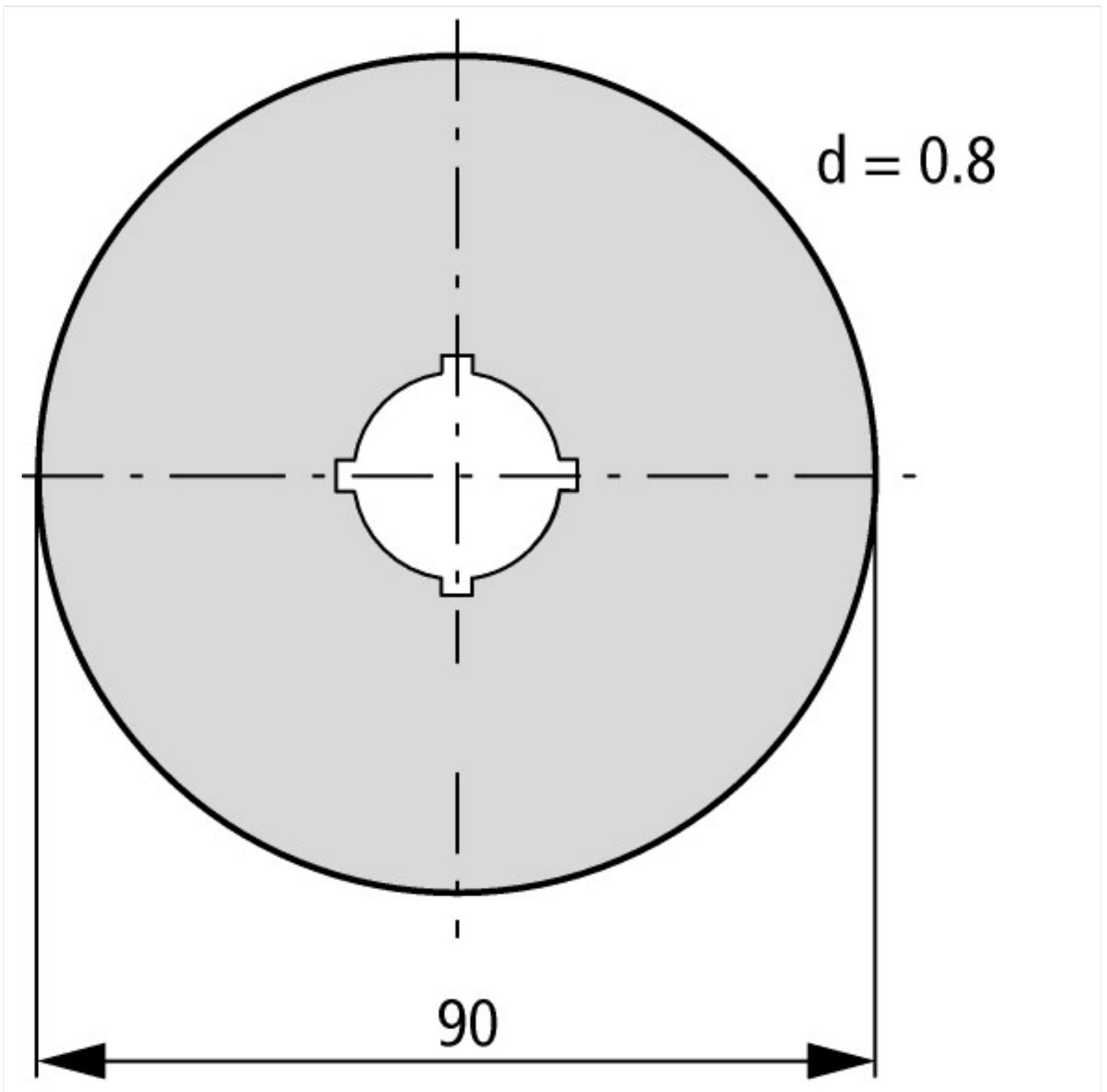
UL/CSA certification not required

Technical data ETIM 5.0

Low-voltage industrial components (EG000017) / Text plate for control circuit devices (EC000624)
Electric engineering, automation, process control engineering / Low-voltage switch technology / Command and alarm device / Identification plate for command devices
(ecl@ss8-27-37-12-25 [AKF043010])

Imprint			Without imprint
Imprint ISO symbols			Without imprint
Colour			Yellow
Shape			Round
Width		mm	90
Height		mm	90
Outer diameter		mm	90

Dimensions



Additional product information (links)

IL04716002Z (AWA1160-1745) RMQ-Titan System

IL04716002Z (AWA1160-1745) RMQ-Titan System

ftp://ftp.moeller.net/DOCUMENTATION/AWA_INSTRUCTIONS/IL04716002Z2013_08.pdf