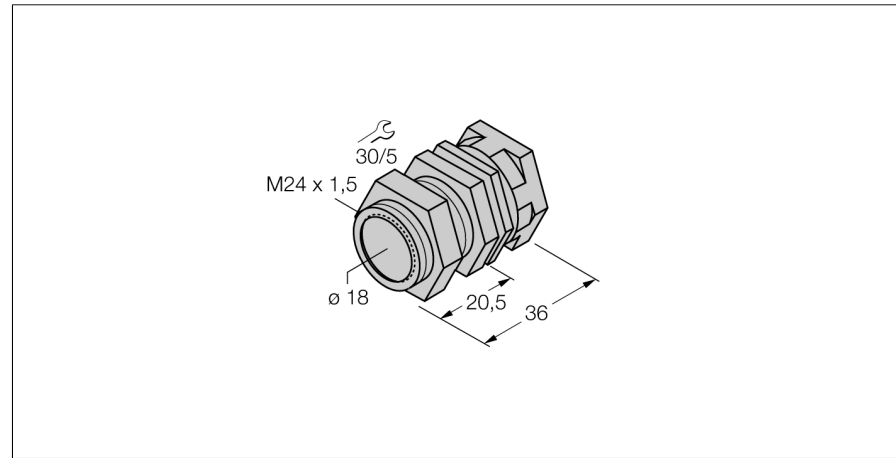
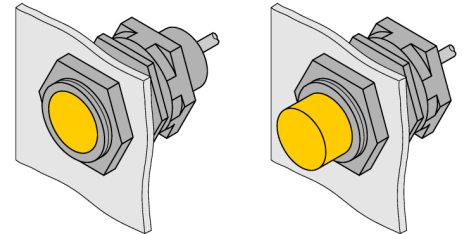


**Mounting accessories**  
**QM-18**



- Quick-mount bracket with dead-stop;
- Material: Chrome-plated brass
- External thread M24 x 1.5



<b>Type code</b>	QM-18
Ident no.	6945102
<b>Construction</b>	accessories for threaded barrels, M18
Dimensions	34 mm
Housing material	Metal, CuZn, chrome-plated
Max. tightening torque housing nut	20 Nm