



25A VARIABLE BURST FIRED AC REGULATOR

BFM-240-25

X10640

INTRODUCTION

The BFM-240-25 is a mains supply, 25A ac energy regulator for proportional linear manual control of resistive loads using variable on/off bursts of complete main cycles energy, coincident with mains zero crossover. The high current triac, fuse, terminals and all main parts are enclosed and mounted on an integral heatsink to ensure long life with reliable high ambient temperature operation. Manual control is achieved by a 100k potentiometer (not supplied).

APPLICATIONS

Virtually all resistance heaters including ovens, electric furnaces, moulders, dryers, smelters, heating tapes, stress relieving, space heating and heating mantles.
Unsuitable for use on inductive loads

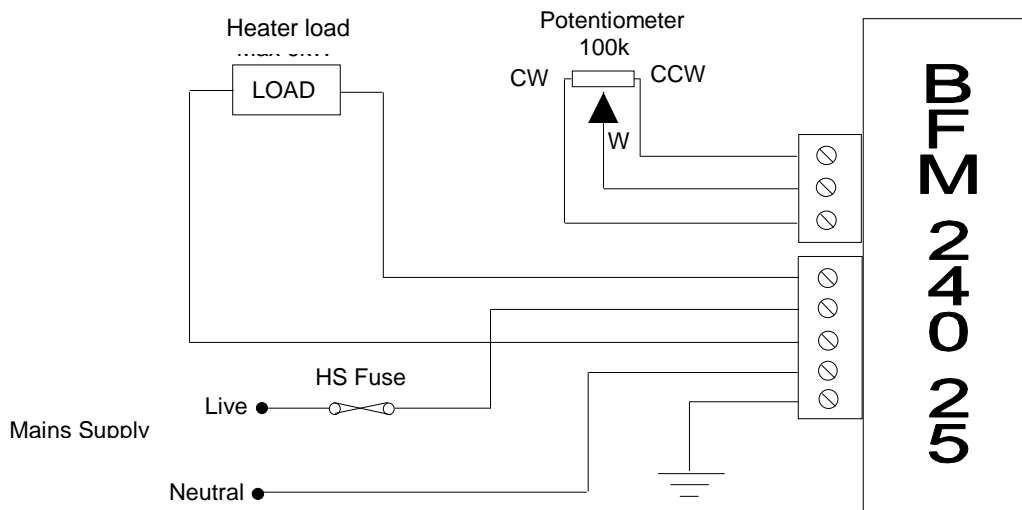
FEATURES

- Built in heatsink – 25A capability
- Burst fire control - RFI free
- DIN rail mounting
- Simple 2.5mm² DIN rail mounting
- 230V ac supply



INSTALLATION

Installation & Connections



WARNING

1. This unit must be earthed.
2. This unit requires fusing and must be mounted onto a suitable panel (heatsink) for cooling.
3. HAZARDOUS LIVE terminals - isolate supply before commencing any installation work.

SPECIFICATIONS

Mains voltage	230V ac \pm 10% @ 50-60 Hz	Min. load current	200mA
Max. RMS load current	25A	Isolation voltage	2500V rms
Integral triac	41A (600v)	I²t for SCR fusing	250A ²
Main control signal	remote 100K,1W potentiometer	Replacement fuse	30A 660V SCR type
Peak cycle surge	250A	Offstate dv/dt	500V/ μ s
Heatsink	1.3°C/Watt	Max operating temp.	0-65°C
Isolation classification	Class II	Storage temp.	0°C to +85°C
Max. Cable entry	2.5mm ²		
Fixing / mounting	DIN rail / (TS35 & TS32 compatible)		
Dimensions	150mm (H) x 130mm (W) x 35mm (W)		

FUSING:

A semiconductor (fast acting) type fuse is supplied as standard for unit protection. On initial 'switch on' some loads may need an increased Factor of Safety (F of S) for unit and/or device protection. For spares or replacements contact our sales desk.

CE MARKING

This product family carries a "CE marking". For information see recommendation section and contact our sales desk.

RECOMMENDATION

Other documents available on request, which may be appropriate for your applications.

CODE	IDENTITY	DESCRIPTION
X10229	RFI	Filtering recommendation - addressing EMC Directive
X10213	ITA	Interaction, uses for phase angle and for burst fire control.
X10255	SRA	Safety requirements - addressing the Low Voltage Directive including :- Thermal data/cooling ; "Live" parts warning & earth requirements; fusing recommendations.
AP02/4	COS	UAL Conditions of sale

NOTE It is recommended that installation and maintenance of this equipment should be done with reference to the current edition of the I.E.E. wiring regulations (BS7671) by suitably qualified / trained personnel. The regulations contain important requirements regarding safety of electrical equipment. (For International standards refer to I.E.C. directive IEC950).

ORDERING

State product description **BFM-240-25**

Optional extras include:-
100k, 1W potentiometer



UNITED AUTOMATION LIMITED

1 Southport Business Park
Kew
Southport, PR8 4HQ
ENGLAND

Tel: 0044 (0) 1704 – 516500 Main
Tel: 0044 (0) 1704 – 516516 Sales
Fax: 0044 (0) 1704 – 516501
Enquiry@united-automation.com
www.united-automation.com

Page No. 2 of 2

Issue 2

Date 30/03/05

