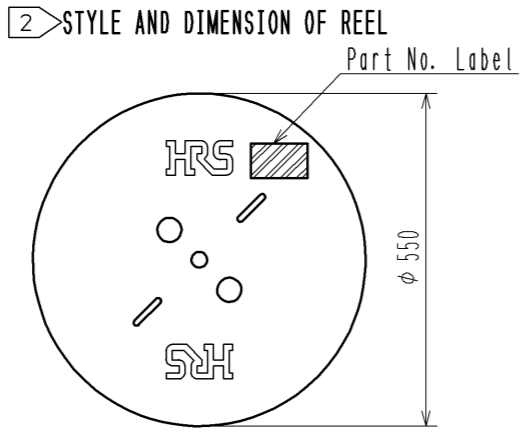
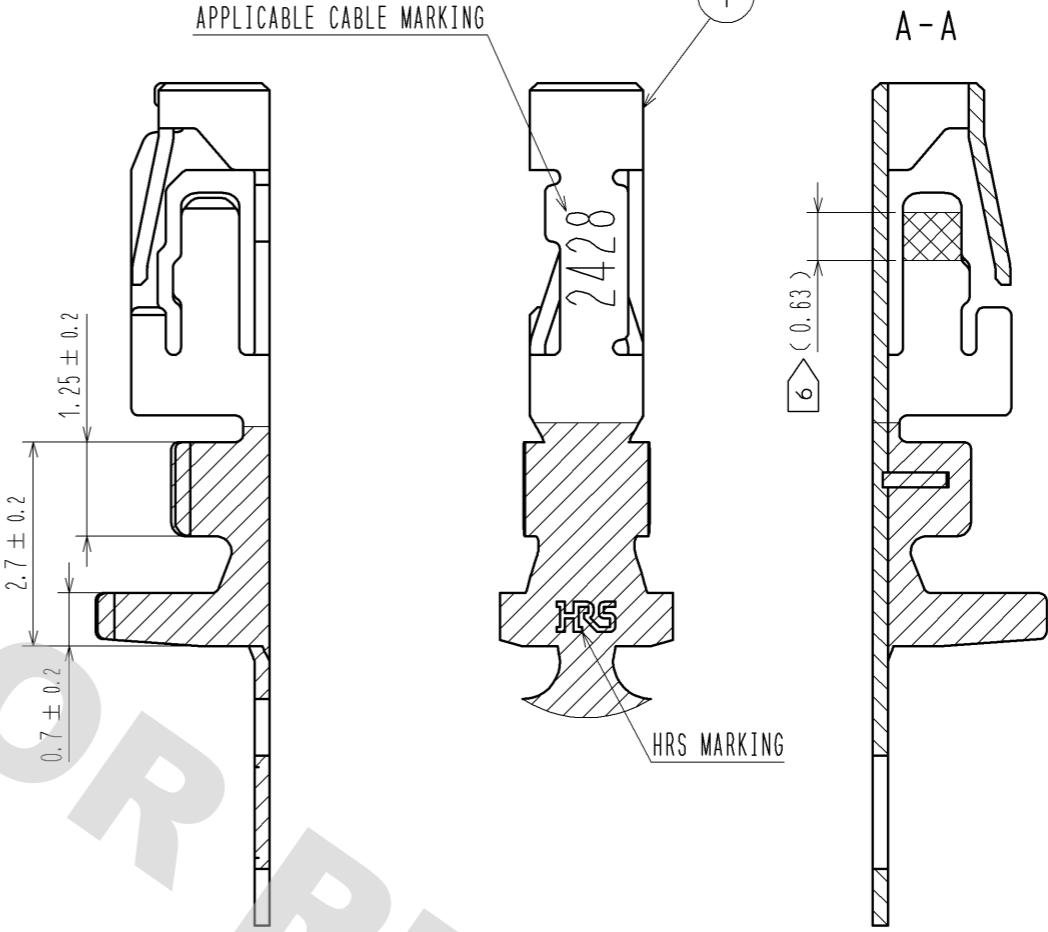
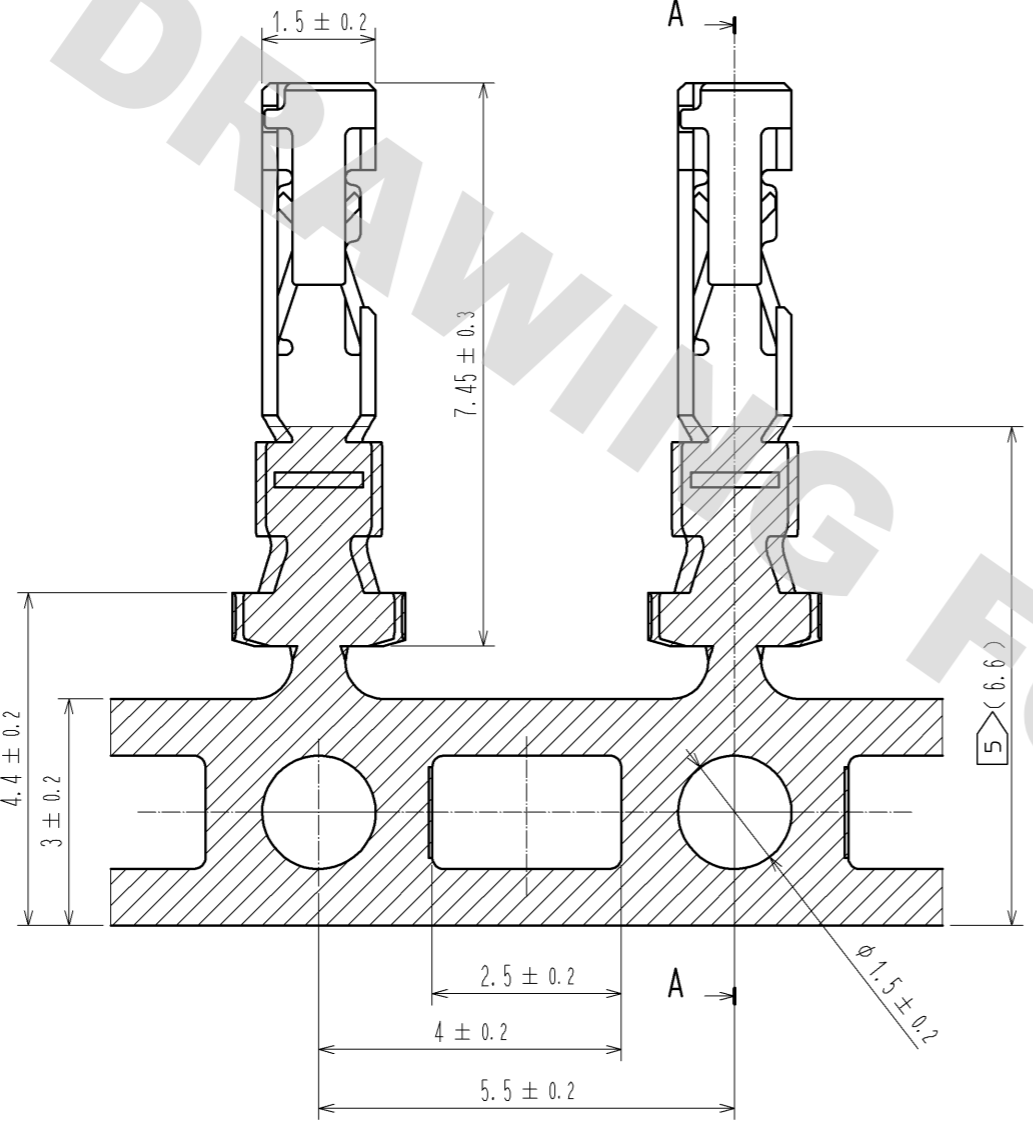
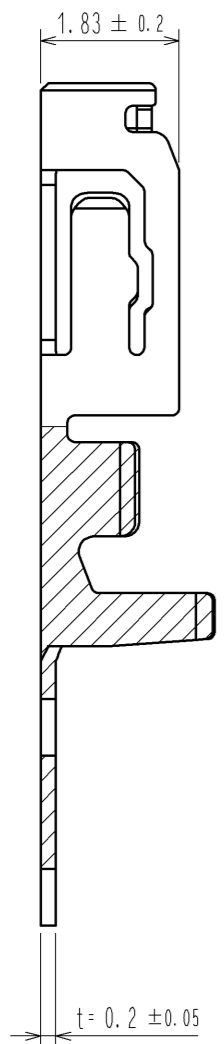
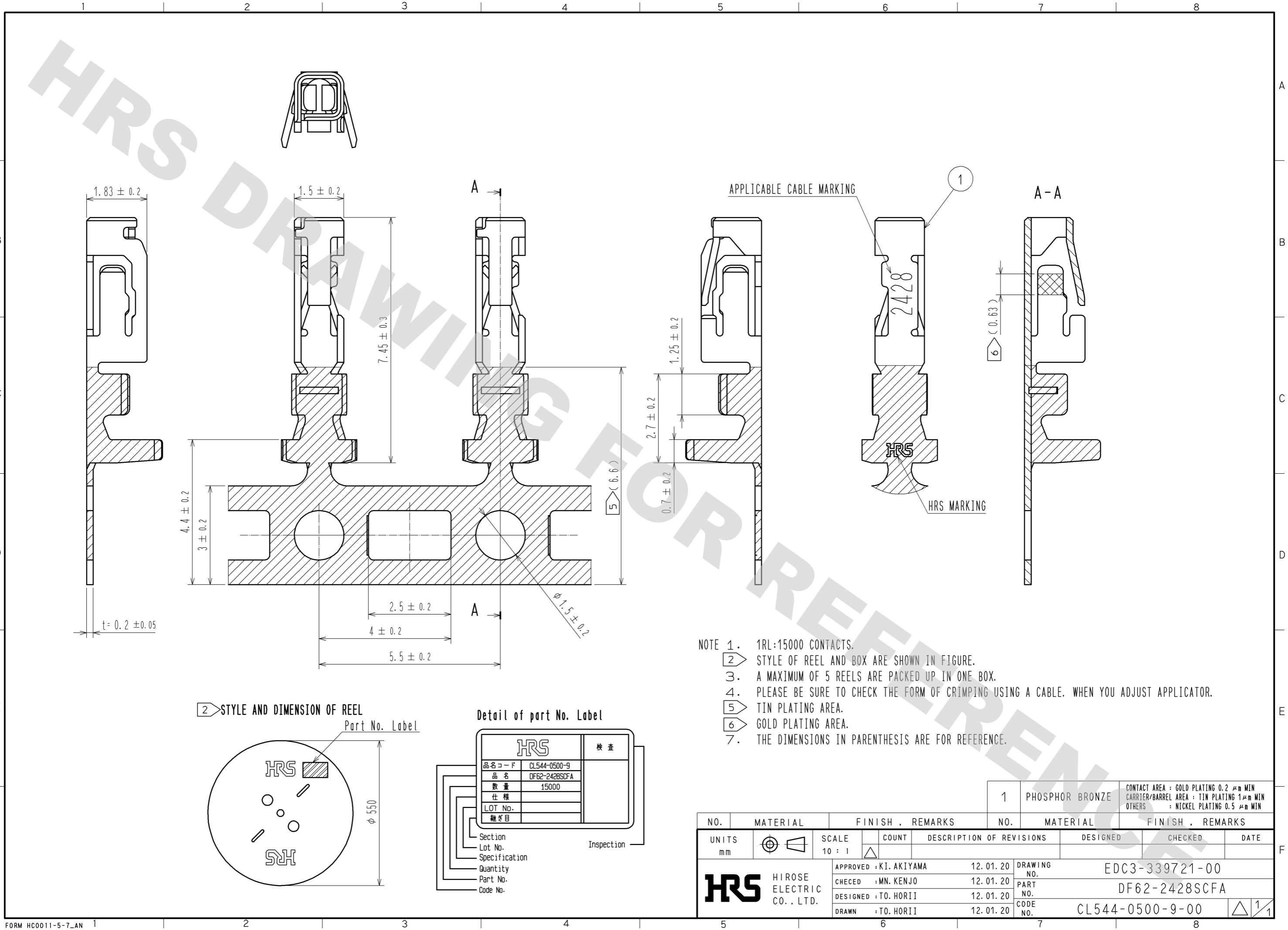


DRAWING FOR REFERENCE: This is subject to change without notice
08/11/2012



Detail of part No. Label

HRS		検査
品名コード	CL544-0500-9	
品名	DF62-2428SCFA	
数量	15000	
仕様		
LOT No.		
継ぎ目		

Section
Lot No.
Specification
Quantity
Part No.
Code No.

Inspection

- NOTE 1. 1RL:15000 CONTACTS.
 2. STYLE OF REEL AND BOX ARE SHOWN IN FIGURE.
 3. A MAXIMUM OF 5 REELS ARE PACKED UP IN ONE BOX.
 4. PLEASE BE SURE TO CHECK THE FORM OF CRIMPING USING A CABLE. WHEN YOU ADJUST APPLICATOR.
 5. TIN PLATING AREA.
 6. GOLD PLATING AREA.
 7. THE DIMENSIONS IN PARENTHESIS ARE FOR REFERENCE.

NO.	MATERIAL	FINISH . REMARKS	NO.	MATERIAL	FINISH . REMARKS		
			1	PHOSPHOR BRONZE	CONTACT AREA : GOLD PLATING 0.2 μm MIN CARRIER/BARREL AREA : TIN PLATING 1 μm MIN OTHERS : NICKEL PLATING 0.5 μm MIN		
UNITS mm	①	SCALE 10 : 1	COUNT	DESCRIPTION OF REVISIONS	DESIGNED	CHECKED	DATE
HRS HIROSE ELECTRIC CO., LTD.	APPROVED	: KI. AKIYAMA	12.01.20	DRAWING NO.	EDC3-339721-00		
	CHECKED	: MN. KENJO	12.01.20	PART NO.	DF62-2428SCFA		
	DESIGNED	: TO. HORII	12.01.20	CODE NO.	CL544-0500-9-00		
	DRAWN	: TO. HORII	12.01.20				