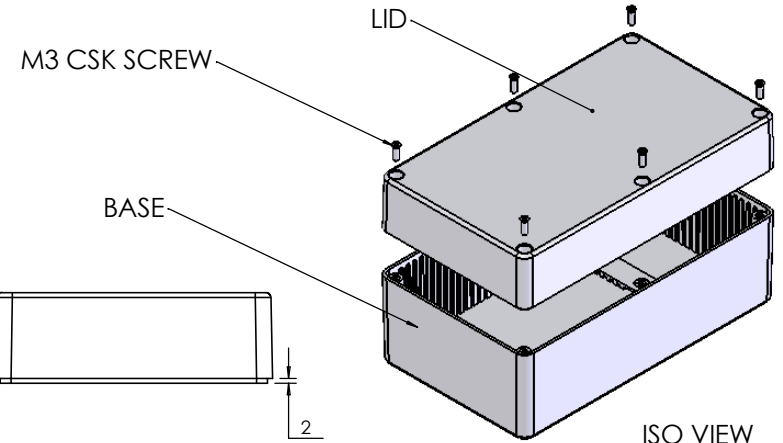
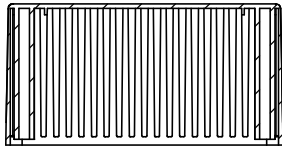


OVERALL ASSEMBLY DIMENSIONS:

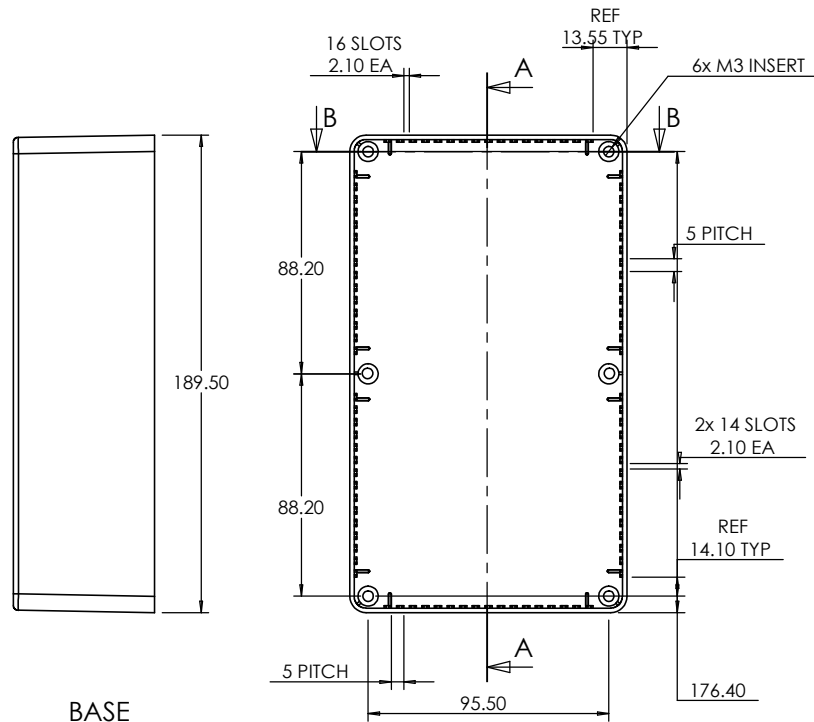
EXTERNAL - 190 x 110 x 90

INTERNAL - 186.4 x 106.4 x 86.4

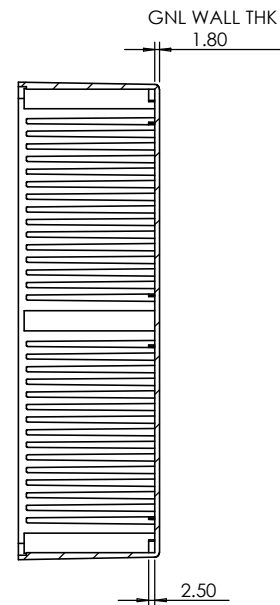
SECTION B-B



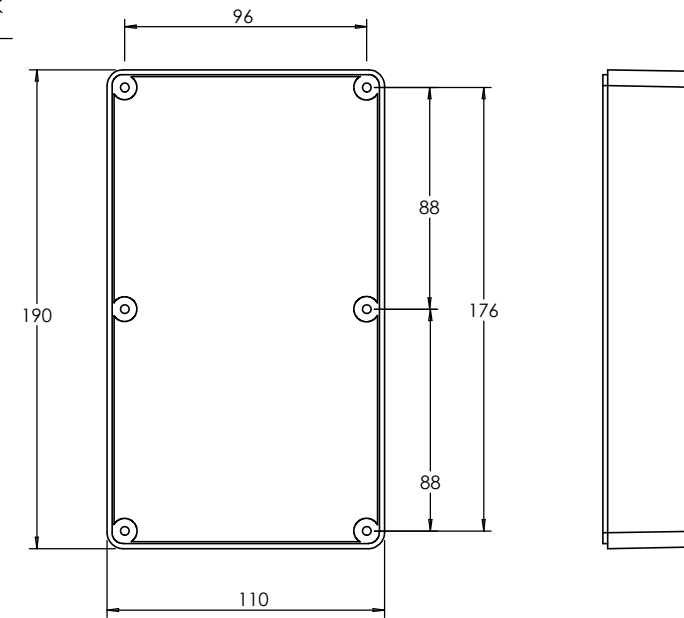
ISO VIEW
1:4



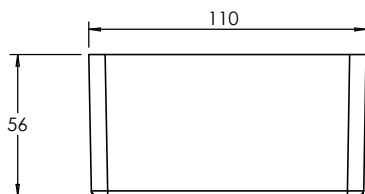
BASE



SECTION A-A



LID



CAMDENBOSS
ELECTRONICS & ENCLOSURES

JAMES CARTER RD, MILDENHALL, SUFFOLK. IP28 7DE
TEL: 01638 716101 FAX: 01638 716554
EMAIL: Sales@CamdenBoss.com
WEB: www.CamdenBoss.com

UNLESS OTHERWISE SPECIFIED:
DIMENSIONS ARE IN MILLIMETERS

FINISH:
SMOOTH

MATERIAL:
ABS

PROJECTION:

DO NOT SCALE DRAWING

REVISION: 0

TITLE:
ASSEMBLY DRG FOR 2006/26

DWG NO. **2006,26**

A4

	NAME	SIGNED	DATE
DRAWN	S.HARDINGE	SJH	06/10/05
CHKD	-	-	-

SCALE: 1:3

SHEET 1 OF 1