

Datasheet

**RS Pro 4 → 28 V dc 82dB sound Panel Mount Fast Pulse
External Piezo Buzzer, 3000 → 4000 Hz**

RS Stock No: **535-8269**



Product Details

RS Pro external piezo buzzer operates at a voltage range of 4 - 28 V dc. This fast pulse buzzer delivers 82 dB sound at a frequency range of 3000 - 4000 Hz. It is suitable for applications that require high sound output.

Features and Benefits

- Panel hole or flanged mounting pulse tone buzzer
- Flying lead connections
- High output levels
- Internal circuitry for dc operation

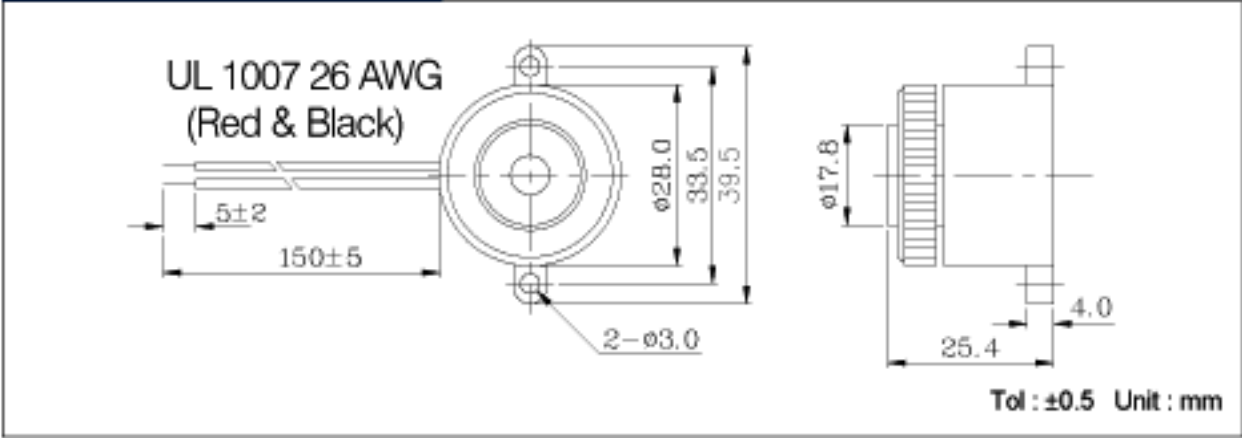


ENGLISH

Specifications:

Drive Type	Internal
Mounting Type	Panel Mount
Tone Type	Fast Pulse
Diameter	28 mm
Dimensions	28 (dia.) x 39.5 x 25.4 mm
Height	25.4 mm
Length	39.5 mm
Maximum Frequency	4000 Hz
Maximum Operating Temperature	+85°C
Maximum Supply Voltage	28 V dc
Minimum Frequency	3000 Hz
Minimum Operating Temperature	-30°C
Minimum Supply Voltage	4 V dc
Sound Level	82 dB
Supply Current	5 mA

Dimension



Characteristic

