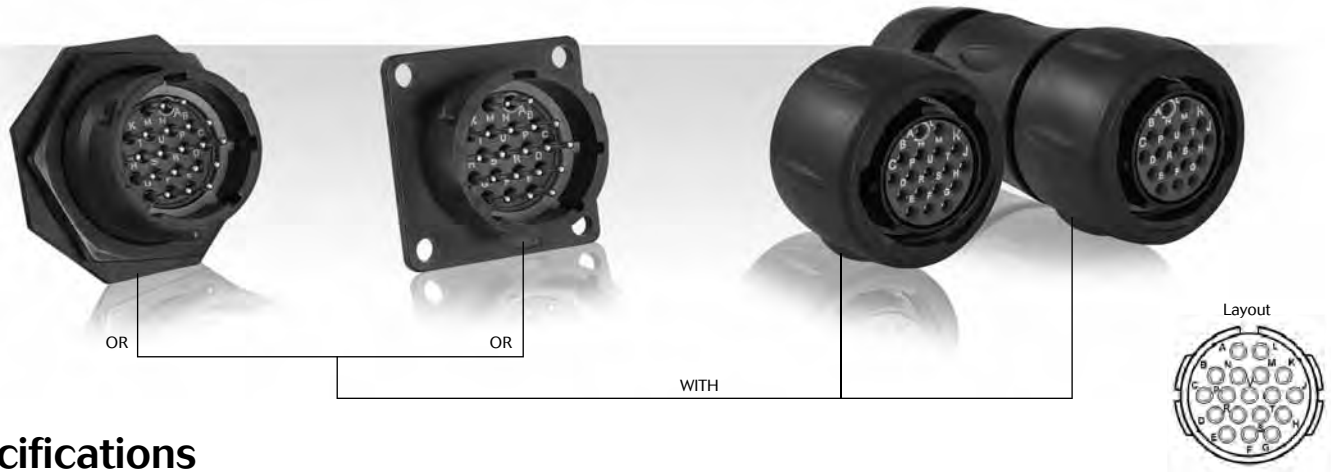


UTS Series

14E18/14D18



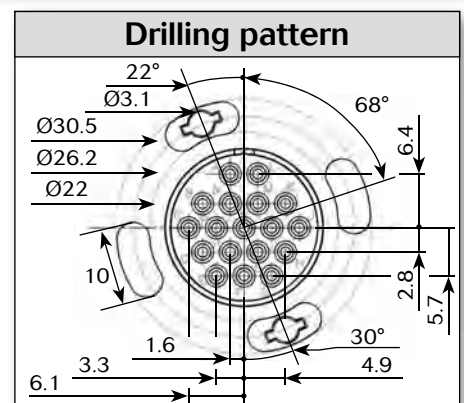
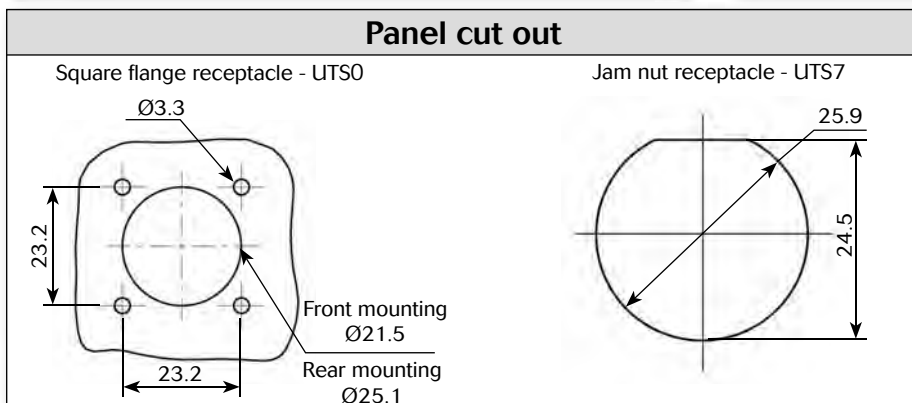
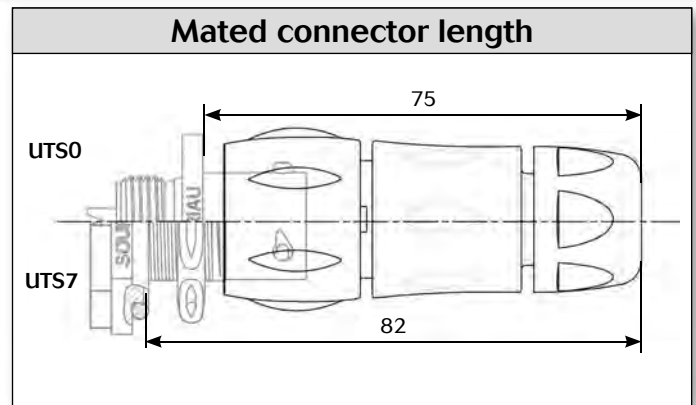
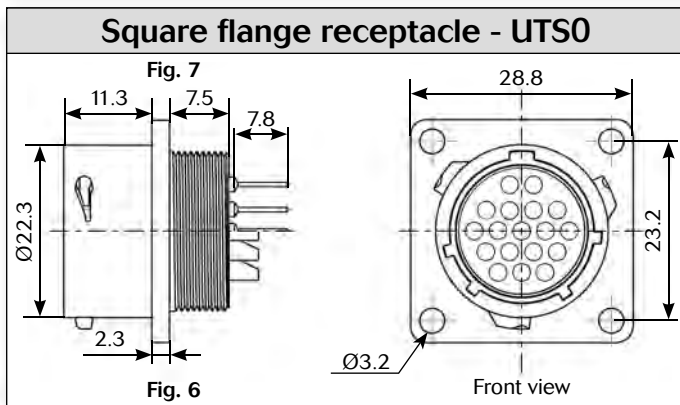
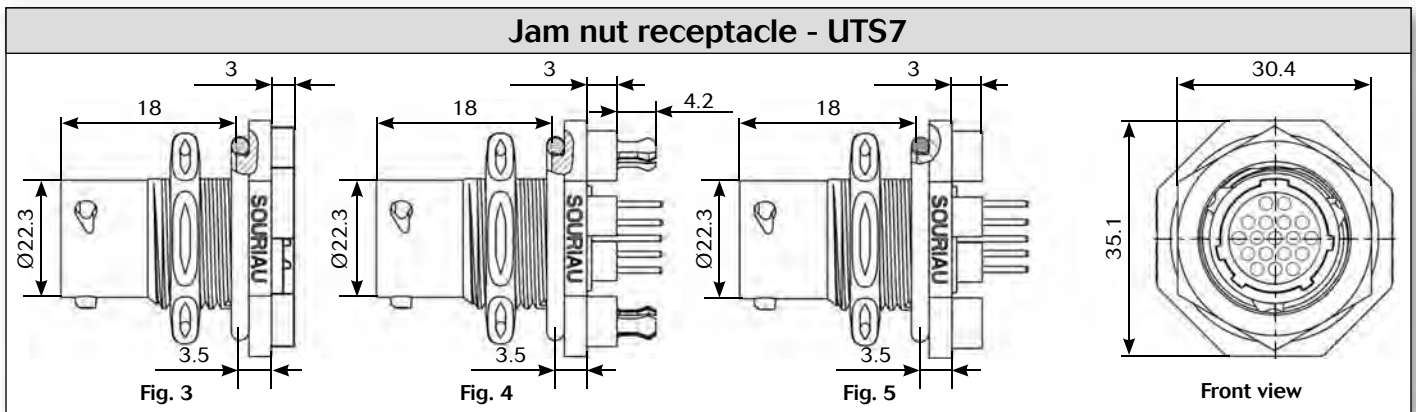
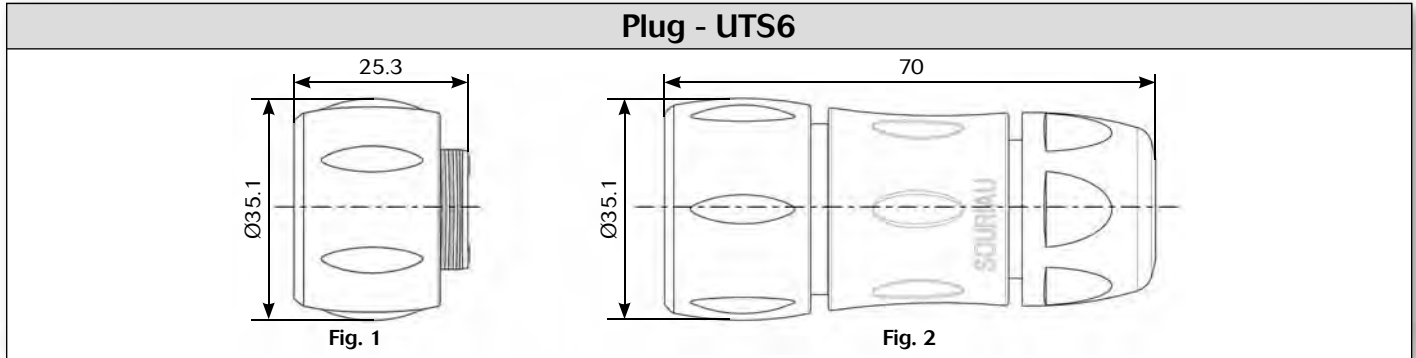
Specifications

Contact type	Connector type	Backshell	Part number	
			Male insert	Female insert
Hand solder electrical contacts loaded	Square flange receptacle	Without (Fig.6)	UTS014E18P	UTS014E18S
	Plug	Without (Fig.1)	UTS614E18P	UTS614E18S
		Cable gland (Fig.2)	UTS6JC14E18P	UTS6JC14E18S
	Jam nut receptacle	Without (Fig.3)	UTS714E18P	UTS714E18S
PCB contacts loaded	Square flange receptacle	Without (Fig.7)	UTS014D18P	UTS014D18S
	Jam nut receptacle with stand off and with hold down clips	Without (Fig.4)	UTS714D18P32	UTS714D18S32
	Jam nut receptacle with stand off and without hold down clip	Without (Fig.5)	UTS714D18P	UTS714D18S

Sealed unmatred



Dimensions



Note: all dimensions are in mm



Accessories

Jam nut sealing caps

Metal terminal

Part number
UTS14DCG

Part number
UTS14DCGR

Plug sealing cap

Part number
UTS614DCG

Square flange sealing cap

Metal terminal

Part number
UTS14DCGE

Plastic protective cap

Part numbers	
Receptacle cap	Plug cap
85005588A	85005597

Gasket

Part numbers / neoprene
UTFD14B

Color coding rings

G for Green
Y for Yellow
R for Red

Part numbers	
Receptacles	Plugs
UTS714CCR	UTS614CCR
UTS714CCRY	UTS614CCRY
UTS714CCRG	UTS614CCRG

* Add G for Green, Y for Yellow, R for Red

Electrical characteristics

UL
4A 250V UL94 HB

CSA
4A 250V UL94 HB

IEC
5A 50V 1.5kV 3

