

DATASHEET

ITEM: 36014FR

WHEEL AS 125X40/40 BB SWIVEL FORK M40L + BRAKE

WHEEL SERIE

Wheels with cast soft polyurethane coating 87 Sh.A on polyamide 6 center.
Wheel fitted with ball bearings.

FORK DESCRIPTION

M40 series, medium-heavy duty pressed steel forks, swivel with double ball races & 'water resistant' protections. Zincplated.

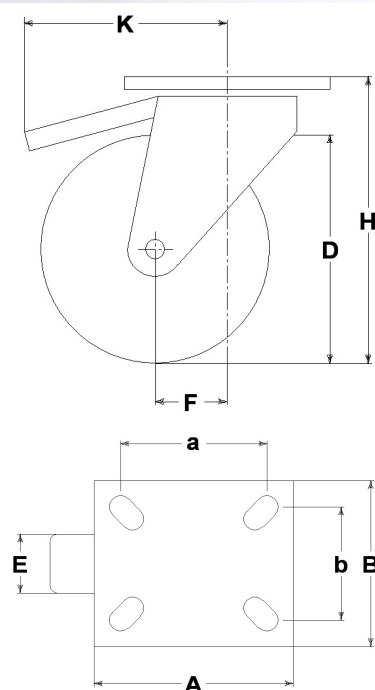
Trailing foot brake - total stop.

TECHNICAL DETAILS

Wheel diameter	(D)	125 mm
Tyre width	(E)	40 mm
Bore diameter	(d)	15 mm
Reference weight		1,828 kg
Overall height	(H)	162,5 mm
Top plate outer dimensions	(AxB)	105x85 mm
Bolt hole spacing	(axb)	76x55 mm
Bolt hole spacing	(axb)	80x60 mm
Fixing bolt diameter	(g)	8 mm
Offset	(F)	41 mm
Fork width	(U)	50 mm
Load capacity		300 kg

Possible options :

Wheel replacement	35016	CC
Brake	FR	



GENERAL INFORMATION / RECOMMENDATIONS AND WARNINGS

The cited text and the complete catalogue in their most up-dated versions are available in our web-site www.lagspa.eu/web/downloads. The dimensions, descriptions, specifications and illustrations herein are indicative and subject to variations without notice. The fact that products are illustrated herein does not necessarily imply they are available from stock nor does it place us under any obligation to supply them. Tests carried out refer to the original products with original accessories: the replacement of one of the components with others of different manufacture might prevent the same results from being achieved and will automatically invalidate any guarantee. Please contact our technical service concerning any special application.