

Uniclass L41818	EPIC D186
--------------------	--------------

CI/SfB (31.59)	X
-------------------	---

May 2001

# Legge®

## Lever locks, mortice latches & nightlatches

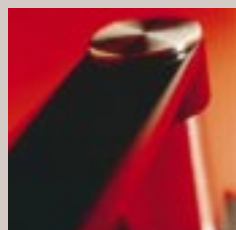
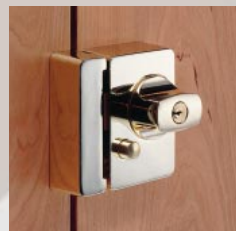
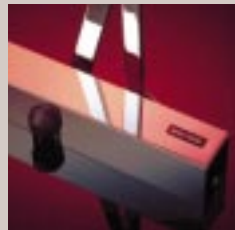


## The World's No. 1

For more than a century, the name IR has been synonymous with the very best in design, manufacture and installation of architectural hardware.

A global leader in every sense of the term, IR has an unrivalled record in meeting and exceeding the demands of architects, designers, specifiers and builders throughout the world.

As one of IR's major operating divisions, IR Security & Safety Ltd is now the world's largest supplier of architectural hardware products and access and security systems. Through our trading division IR Architectural Hardware, we offer the widest possible choice of hardware products and systems to satisfy every conceivable need wherever commercial, private or public service buildings are created or refurbished.



## Total quality assurance

All our products and systems are based on cutting edge technology, supported by major investment in research and development and by modern manufacturing techniques.

Our world class reputation for reliability and durability is founded on a commitment to continuous improvement in everything we do.

We work constantly to enhance the performance levels and aesthetic qualities of everything we produce from a simple lever to a sophisticated automatic door system.

By giving uncompromising attention to detail at every stage of design, manufacture, assembly and inspection, we ensure that all our products and systems meet the highest possible quality and conformity standards, and exceed the requirements of all applicable European Standards.

### Total service excellence

Our expert and fully trained service teams are dedicated to meeting and surpassing customers' requirements at all times, providing prompt, nationwide assistance and reliable support in any aspect of service you may require.

### Site Visits

A site visit service is available during construction programmes to offer advice on any aspect of fixing or application of our products. For building refurbishment or fire upgrading schemes this service is also available to finalise requirements in advance of preparing door hardware schedules.

### We also provide a FREE time-saving scheduling service.

Our computer aided architectural hardware scheduling programme will generate a full ironmongery schedule to your specification for any project level or size.

### Our Technical Consultants will assist you with:

- Product selection
  - Product specification
  - Provision of reference sites
  - Full quotation service
  - Project aftercare
  - Ongoing maintenance and lifetime service
- To contact your Technical Consultant, call **08706 012012**

### Our Technical Support Department will assist you with:

- Product selection
  - Advice on Installation
  - Trouble shooting
  - Advice and information from our extensive database of test data and certification.
- Call the Technical Support Department on **Freephone 0800 834 102**

### Further Information

Further details of all our product ranges and services can also be found by accessing our website at [www.irarchitecturalhardware.co.uk](http://www.irarchitecturalhardware.co.uk)



## Flexibility of a modular range

- ▶ Co-ordinated, modular platform lockcases
- ▶ Reversible latch
- ▶ Single key profile
- ▶ More robust construction
- ▶ BS compliance
- ▶ Masterkeyed



### ▶ Reversible Latch

All the locks in the Platform range are fitted with the unique Legge 'Twist Reversible' latch feature. To reverse the latch simply pull, twist and release. It takes seconds and avoids the need to open up the lockcase. Once fitted, the latch cannot be reversed without removing the forend plate.

### ▶ Co-ordinated, Modular Platform Lockcases

Just 4 lockcases (and therefore 4 door preparation variants) make up a range of locks which include, latches, bathroom locks, sliding door locks, deadlocks, 3 lever locks, 5 lever locks and 5 lever British Standard locks in 2 backset sizes.

This consistent matrix of dimensions, including the size and position of bolts, provides a significant number of real benefits to specifiers and end users.

**Interchangeability** - upgrade or change lock function within standard door preparation, during installation or anytime in the future. For example, upgrade from a 3 lever lock to fully BS compliant 5 lever lock without having to reprepare the door.

**Common door preparation** - instructions for door preparation can be given early, before the final decision on hardware, reducing delays on door supply.

**Factory preparation** - the simplified door preparation instructions enable accurate factory preparation, giving higher quality and quicker on-site hardware installation.

All locks which have modular dimensions are marked with this icon.

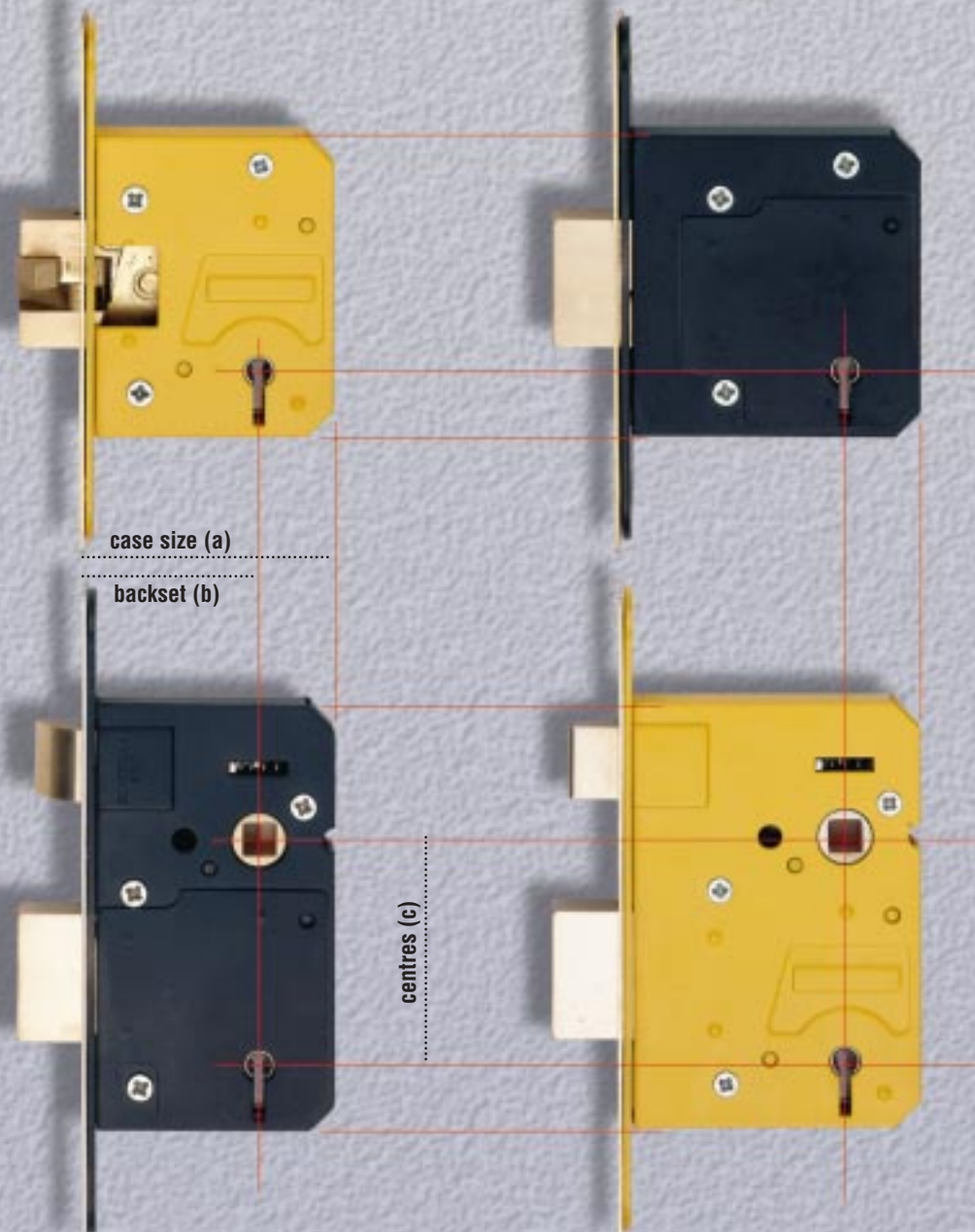


### Master Keyed Suites

Legge Platform locks can be offered as Standard Differ or Keyed Alike, as well as Master Keyed to provide increased levels of security.

The use of masterkeying is not permitted under the detail of BS3621:1998.

Master Keyed locks are indicated by this icon.



### ▶ Single Key Profile

A single steel key profile is used across the complete range of Platform locks, with authorised Legge key blanks as an integral part of the product and guarantee package.

**Locks keyed alike** - a series of locks for a building can be organised to operate across the various security levels. Doors fitted with 5 lever locks can be keyed to work other doors which are fitted with 3 lever locks. The 3 lever standard keys will not open the 5 lever locks thereby creating a natural hierarchy of security. Keyed Alike locks are indicated by this icon.



**Upgrading** - locks can be replaced or upgraded from one security level to another, or downgraded depending on change of use, without introducing additional keys into the system.

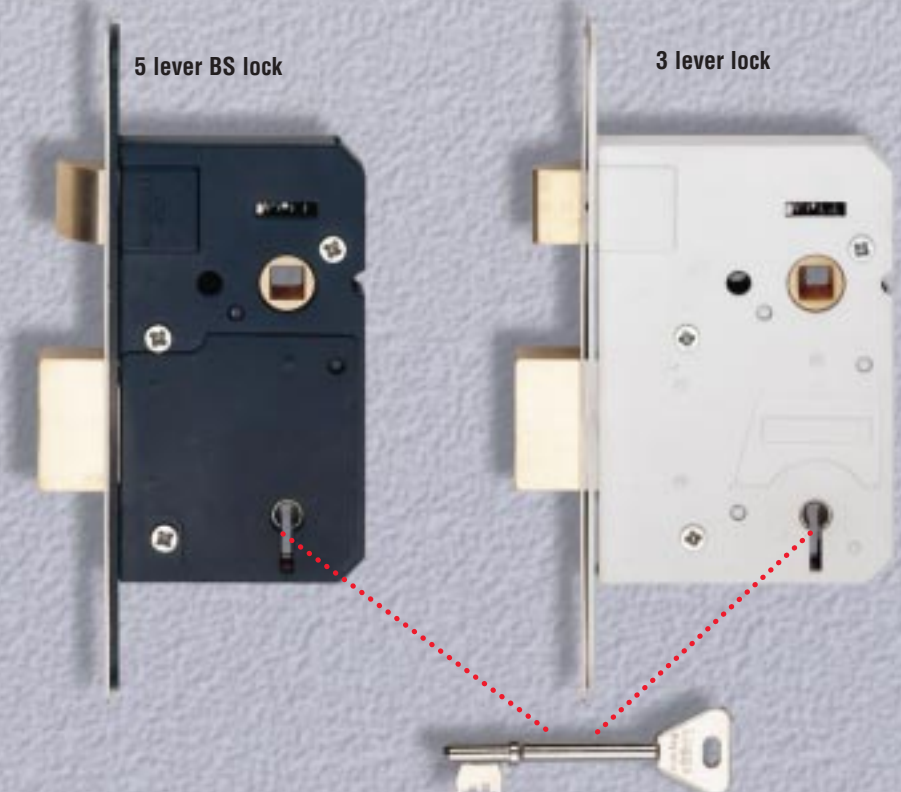


Simplified specification - with no need to determine the hand of the lock until the point of installation.

Quicker installation - the operation takes just seconds and can be carried out with the lock already fitted into the door.

No risk of damage - there is no risk of damage or wastage as a result of opening up the lockcase. No more locks fitted with vital components missing.

Reduced stockholding - the reversible feature reduces stockholding by 50% across the complete range of lock functions.



► **More Robust Construction**

Many of the advantages of the 5 lever BS lock construction are shared with the other lock functions within the platform range, including stronger case construction, larger and stronger bolts, stronger follower springing and more robust strike plates.



**Heavy duty case** - all the lockcases in the platform range are constructed using a heavier gauge material, improving resistance to forced entry.

**Anti-drill plate** - a hardened steel plate is fitted onto the 5 lever BS lock to prevent attack from drilling.

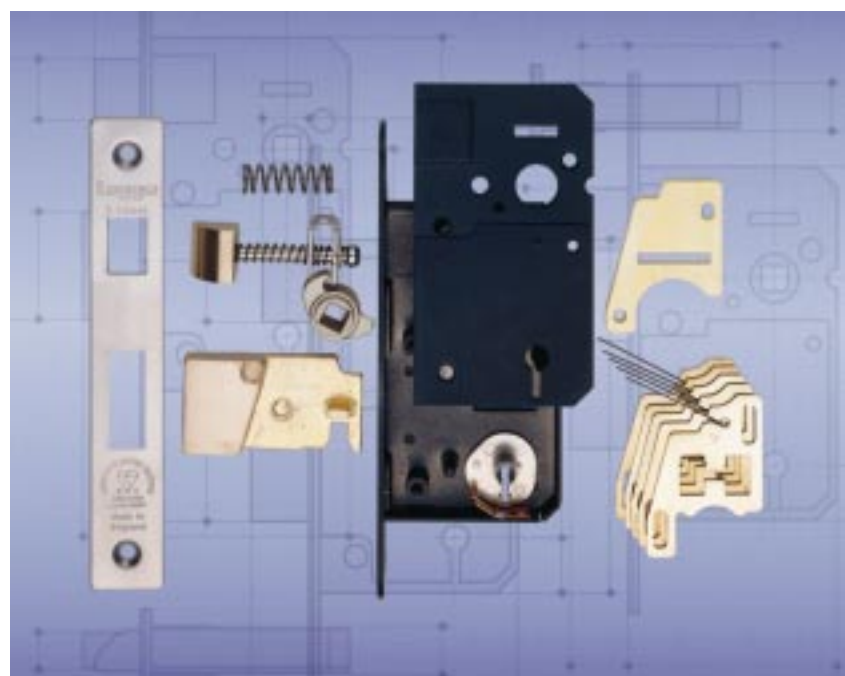
**Anti-saw bolts** - 2 revolving hardened steel pins in the deadbolt of the 5 lever locks prevent attack from sawing through the bolt.

**Anti-pick protected** - the use of curtain protection across the range prevents forced entry by picking.

**Reduced follower rotation** - latchbolt withdrawal is effected by only 54° lever rotation providing a more efficient operation.

**Anti-jam bolt** - bathroom locks are fitted with an anti-jam mechanism.

**Heavy duty strikes** - locks are supplied with either a heavy duty box strike or a heavy gauge preformed flat strike plate.



► **BS3621:1998 Compliance**

Locks fully tested and compliant with the rigorous standards of BS3621:1998 are also available within the modular platform, and are indicated within the brochure with the icon below.



	Heavy duty case	Anti-drill	Anti-saw	Anti-pick	Reversible latchbolt	54° rotation	Anti-jam bolt	Strike plate
5 lever BS locks	●	●	●	●	●	●		heavy duty box
5 lever locks	●		●	●	●	●		heavy duty box
3 lever locks	●			●	●	●		heavy duty flat
Bathroom locks	●				●	●	●	standard flat
Latches	●				●	●		standard flat

**PAS Tests**

The Legge 5642 mortice lock has been included in successful PAS tests:

**PAS 23-1:1999**

General performance requirements for door assemblies, Clause 6.9 Door assembly resistance to soft body impact

**PAS 24-1:1999**

Enhanced security performance requirements for door assemblies, Clause A.9.1 Soft body impact and A.10 Hard body impact



Please call Technical Services on **0800 834102** for further details on specification.

The Platform series of locks offers a scale of security from the high security of a BS 3621:1998 compliant 5 lever lock, to the medium security solutions offered by 3 lever lock cases, or the simplicity of a latch.

Such locks are ideally suited to applications where doors can be factory prepared (even before final hardware details have been decided), or where possible future change of use would enable the door to be upgraded from 3 lever to 5 lever, or from non BS to fully BS compliant without having to recut the door.

The range includes Masterkeyed variants.

	lock function	security	case size (mm)	backset (mm)	BS compliant	masterkeyed	anti-drill	anti-saw	anti-pick	bolt thro fix.	see page no.
5641	deadlock	5 lever	64	44	●		●	●	●		8
5761	deadlock	5 lever	76	57	●		●	●	●		8
5642	sashlock	5 lever	64	44	●		●	●	●		8
5762	sashlock	5 lever	76	57	●		●	●	●		8
1645	deadlock	5 lever	64	44			●	●	●	●	9
1765	deadlock	5 lever	76	57			●	●	●	●	9
2645	sashlock	5 lever	64	44			●	●	●	●	9
2765	sashlock	5 lever	76	57			●	●	●	●	9
9645	sliding	5 lever	64	44			●	●	●	●	9
9765	sliding	5 lever	76	57			●	●	●	●	9
1643	deadlock	3 lever	64	44				●	●		10
1763	deadlock	3 lever	76	57				●	●		10
2643	sashlock	3 lever	64	44				●	●		10
2763	sashlock	3 lever	76	57				●	●		10
9643	sliding	3 lever	64	44				●	●		10
9763	sliding	3 lever	76	57				●	●		10
2643L	latch	-	64	44					●	●	11
2763L	latch	-	76	57					●	●	11
7643	bathroom	privacy	64	44					●	●	11
7763	bathroom	privacy	76	57					●	●	11
1645MK	deadlock	5 lever	64	44		●		●	●		12
1765MK	deadlock	5 lever	76	57		●		●	●		12
2645MK	sashlock	5 lever	64	44		●		●	●		12
2765MK	sashlock	5 lever	76	57		●		●	●		12
1643MK	deadlock	3 lever	64	44		●		●	●		13
1763MK	deadlock	3 lever	76	57		●		●	●		13
2643MK	sashlock	3 lever	64	44		●		●	●		13
2763MK	sashlock	3 lever	76	57		●		●	●		13
9643MK	sliding	3 lever	64	44		●		●	●		13
9763MK	sliding	3 lever	76	57		●		●	●		13
9645MK	sliding	5 lever	64	44		●		●	●		12
9765MK	sliding	5 lever	76	57		●		●	●		12

# Typical applications

The exceptional performance characteristics of the Legge Platform range of lockcases make them particularly suitable for use in commercial and residential buildings which may be subject to high levels of use and abuse.



Steel case black powder coated, with integral anti-drill plate on cap and case. Steel box strike brass or satin chrome plated. Genuine brass trim plate for fitting to face of box strike plate available at extra cost.

Forend: SS (stainless steel)  
PB (polished brass)

Additional 5 lever BS sashlock and deadlock are available in a 51mm (2") case size (see page 15).

## Legge Platform 5 lever locks to BS3621:1998

- BS3621:1998 compliant
- 5 close gated levers with anti-pick device
- 1000 differs
- 3 plated steel keys
- Keyhole protection
- Brass deadbolt with 2 hardened steel inserts
- 10 year guarantee



Typical applications would include both internal and external doors on the following sectors:

- **Health**  
Hospitals and health centres, doctors surgery
- **Leisure**  
Sports and leisure centres, clubs, theatres
- **Education**  
Schools and colleges
- **Commercial**  
Offices, factory units, warehouses, laboratories
- **Retail**  
Shops and restaurants, supermarkets
- **Residential**  
Local Authority and private properties, sheltered housing schemes



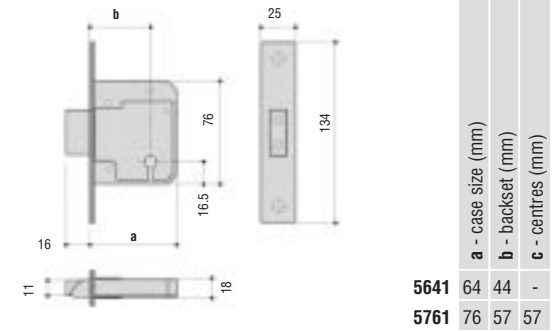
### Special Applications

Legge offers a bespoke service that enables some standard products to be adapted to suit special door applications. Please contact Technical Services on **0800 834 102** for further details..



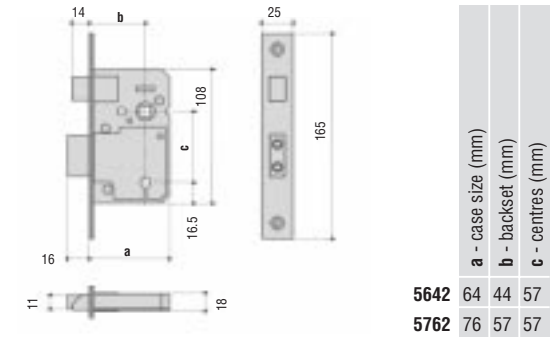
### 5641 & 5761

Deadlock with 44mm or 57mm backset. Supplied with ref:980/973 escutcheons.



### 5642 & 5762

Sash locks with 44mm or 57mm backset. Suitable for bolt through furniture fixings, 5mm Ø at 38mm centres. Suitable for sprung lever furniture with 8mm spindle. Twist reversible latchbolt.



980 & 973 escutcheons in polished brass.



The high security and durability of a BS 5 lever lock used with Normbau nylon furniture in a University library.

For further information please contact the **Technical Helpline 0800 834 102**

**Legge Platform 5 lever locks**

- 5**
- KA**
- 5 close gated levers with anti-pick device
- 500 differs
- Reversible latchbolt
- 2 plated steel keys, unnumbered
- Brass deadbolt with 2 hardened steel inserts
- 5 year guarantee

Steel case yellow powder coated.  
 Brass deadbolt fitted with 2 revolving hardened steel inserts (except 9645).  
 Steel box strike powder coated gold or silver grey. Genuine brass trim plate for fitting to face of box strike plate (not suitable for 9645) available at extra cost.  
 Forend: SS (stainless steel)  
 PB (polished brass)



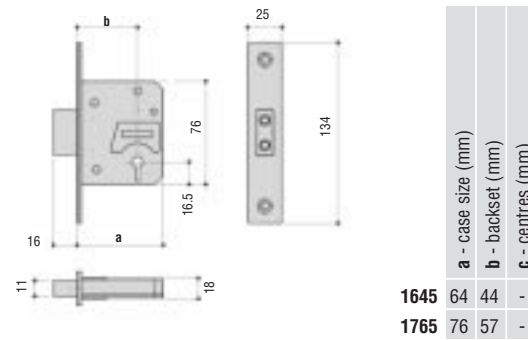
Steel case white powder coated.  
 Reversible latchbolt.  
 Brass deadbolt.  
 Suitable for sprung lever furniture with 8mm spindle.  
 Steel strike powder coated gold or silver grey as standard. Available plated at extra cost.  
 Forend: SS (stainless steel)  
 PB (polished brass)

**Legge Platform 3 lever locks**

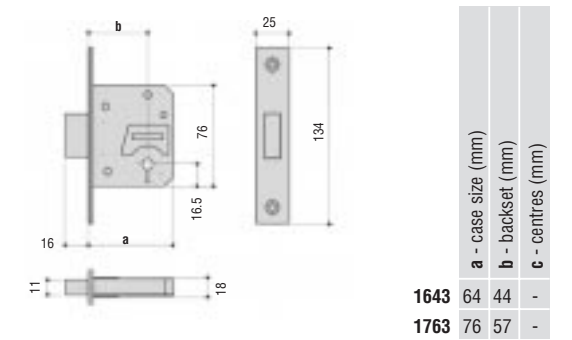
- 3**
- KA**
- 3 close gated levers
- 100 differs
- 2 plated steel keys, unnumbered
- Brass deadbolt
- 3 year guarantee



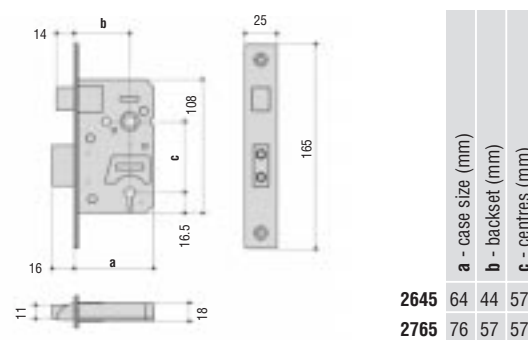
**1645 & 1765**  
 Deadlock with 44mm or 57mm backset.  
 May be keyed alike - **1645KA & 1765KA**  
  
 Supplied with ref: 973 escutcheons.



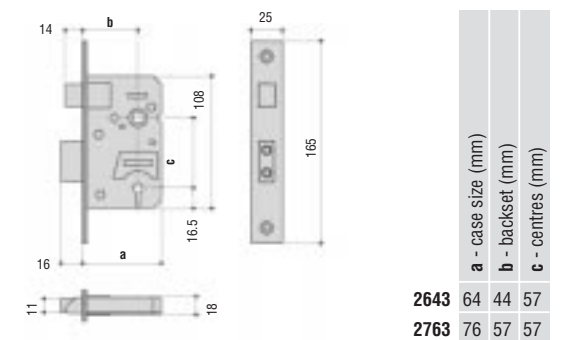
**1643 & 1763**  
 Deadlock with 44mm or 57mm backset.  
 May be keyed alike - **1643KA & 1763KA**  
  
 Supplied with ref: 980/973 escutcheons.



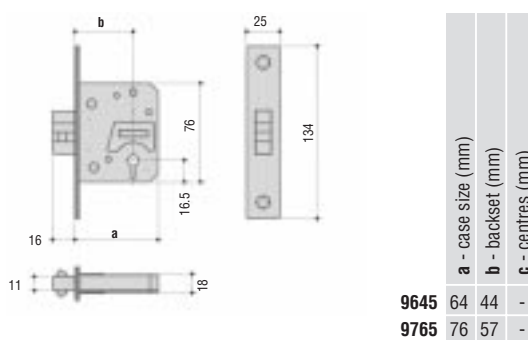
**2645 & 2765**  
 Sash locks with 44mm or 57mm backset.  
 Suitable for bolt through furniture fixings, 5mm Ø at 38mm centres.  
 Suitable for sprung lever furniture with 8mm spindle.  
 Twist reversible latchbolt.  
 May be keyed alike - **2645KA & 2765KA**



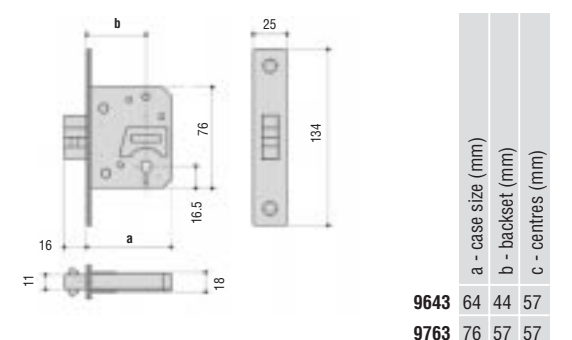
**2643 & 2763**  
 Sash locks with 44mm or 57mm backset.  
 Suitable for bolt through furniture fixings, 5mm Ø at 38mm centres.  
 Suitable for sprung lever furniture with 8mm spindle.  
 May be keyed alike - **2643KA & 2763KA**



**9645 & 9765**  
 Sliding door lock with 44mm or 57mm backset.  
 Expanding brass claw bolt for sliding doors.  
 May be keyed alike - **9645KA & 9765KA**  
  
 Supplied with ref: 973 escutcheons



**9643 & 9763**  
 Sliding door lock with 44mm or 57mm backset.  
 Sliding door lock with expanding brass claw bolt. Supplied with locking plate, and ref: 973 escutcheons.  
 May be keyed alike - **9643KA & 9763KA**



**Legge Platform latch and bathroom locks**

- Dimensionally co-ordinated with the lever locks
- Reversible latchbolt
- Brass deadbolt

Steel case powder coated white.  
Stainless steel or brass strike plate.  
Forend: SS (stainless steel)  
PB (polished brass)



Steel case black powder coated  
Full 5 lever security with separate trip lever  
Steel box strike powder coated gold or silver grey as standard. Genuine brass trim plate for fitting to face of box strike plate available at extra cost.  
Forend & Strikes: SS (stainless steel)  
PB (polished brass)

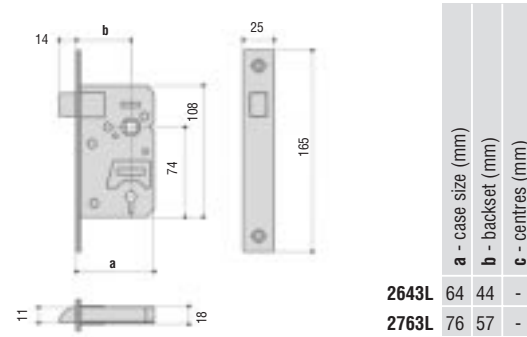
**Legge Platform 5 lever locks Masterkeyed**

- 5 close gated differ levers & trip lever
- 200 differs per suite
- Reversible brass latchbolt
- 2 plated steel keys, numbered
- Anti-pick keyhole protection
- Brass deadbolt with 2 hardened steel inserts
- 5 year guarantee



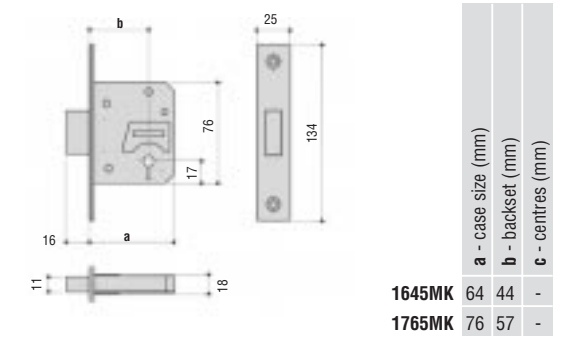
**2643L & 2763L**

Architectural latch with 44mm or 57mm backset. Suitable for bolt through fixings 5mm Ø at 38mm centres.  
Suitable for sprung lever furniture with 8mm spindle.



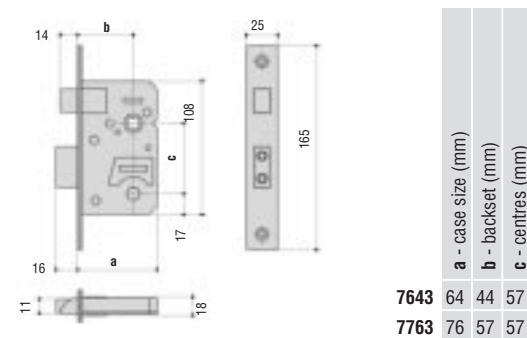
**1645MK & 1765MK**

Deadlocks with 44mm and 57mm backset.  
Supplied with ref: 973 escutcheons.



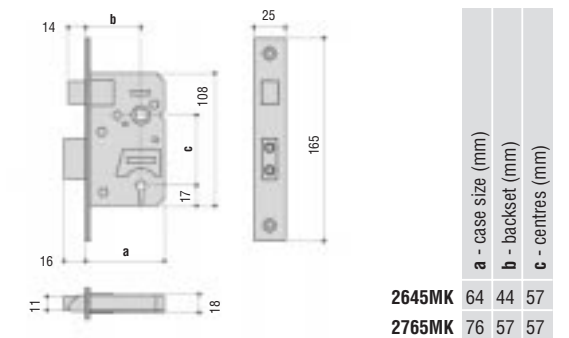
**7643 & 7763**

Bathroom lock with 44mm or 57mm backset.  
Suitable for bolt through fixings 5mm Ø at 38mm centres.  
5mm deadbolt follower and 8mm lever follower.  
Suitable for sprung lever furniture with 8mm spindle.



**2645MK & 2765MK**

Sashlock with 44mm and 57mm backset.  
Suitable for bolt through furniture fixings, 5mm Ø at 38mm centres.  
Suitable for sprung lever furniture with 8mm spindle.

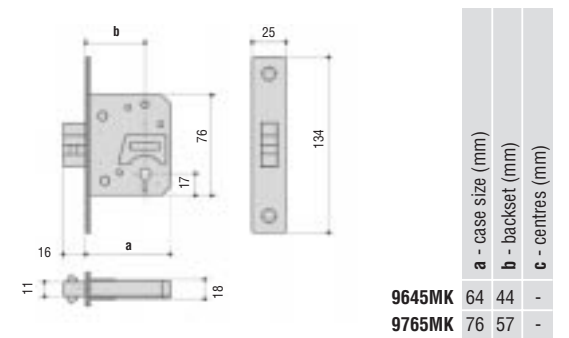


7763 bathroom lock in polished brass is used with matching brass Steden lever furniture on a hotel bathroom.



**9645MK & 9765MK**

Sliding door lock with 44mm and 57mm backset.  
Expanding brass claw bolt for sliding doors.  
Supplied with ref: 973 escutcheons.



**Masterkey Feature**

Legge Master Keyed locks offer systems with up to 200 differs for 5 lever locks. The use of masterkeying is not permitted under the detail of BS3621:1998.

**Legge Platform 3 lever locks Masterkeyed**

- 3 close gated levers
- 60 differs per suite
- Reversible latchbolt
- Brass deadbolt
- 2 steel keys
- 3 year guarantee

Steel case white powder coated.  
 Brass latchbolt reversible for left/right hand.  
 Suitable for sprung lever furniture with 8mm spindle.  
 Steel strike powder coated gold or silver grey as standard. Available plated at extra cost.  
 Forend: SS (stainless steel)  
 PB (polished brass)

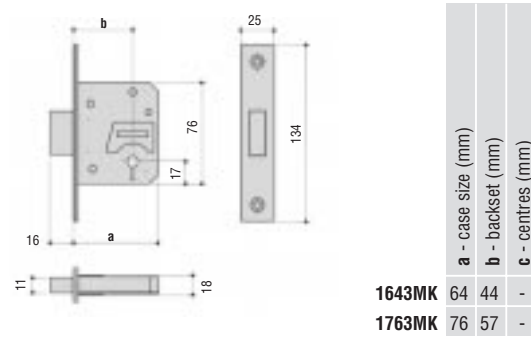


**NON MODULAR LOCKS**

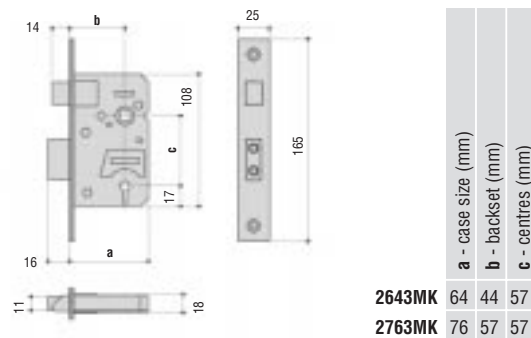
A series of lever locks which are in non modular cases. These locks offer a scale of security from the high security of a **BS3621:1998** compliant 5 lever lock available as a 51mm (2") sash and deadlock, to the economy of a 2 lever lock.



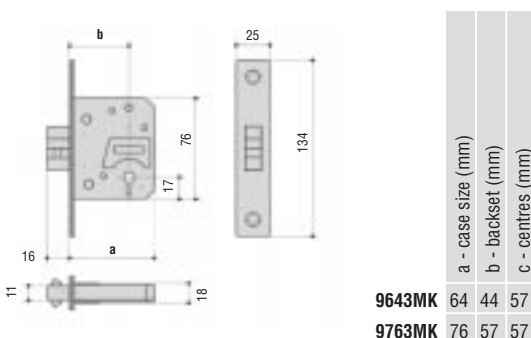
**1643MK & 1763MK**  
 Deadlock with 44mm or 57mm backset.  
 Supplied with ref: 973 escutcheons.



**2643MK & 2763MK**  
 Sash locks with 44mm or 57mm backset.  
 Suitable for bolt through furniture fixings, 5mm Ø at 38mm centres.



**9643MK & 9763MK**  
 Sliding door lock with 44mm or 57mm backset.  
 Sliding door lock with expanding brass claw bolt. Supplied with locking plate, and ref: 973 escutcheons.



**Masterkey Feature**

Legge Master Keyed locks offer systems with up to 60 differs for 3 lever locks. The use of masterkeying is not permitted under the detail of BS3621:1998.

	lock function	security	case size (mm)	backset (mm)	BS compliant	anti-drill	anti-saw	anti-pick	bolt thro fix.	see page no.
5511	deadlock	5 lever	51	35	●	●	●	●	●	15
5512	sashlock	5 lever	51	35	●	●	●	●	●	15
2766X	sashlock	6 lever	76	57					●	15
3260/64	sashlock	3 lever	64	44					●	16
3260/76	sashlock	3 lever	76	57					●	16
157	sashlock	2 lever	51	35					●	16
159	sashlock	2 lever	64	44					●	16
2378	sashlock	2 lever	76	57					●	16
3492L	latch	latch only	152	127					●	17
3492	sashlock	3 lever	152	127					●	17
3492B	bathroom	privacy	152	127					●	17

**Legge 5 lever BS Locks**

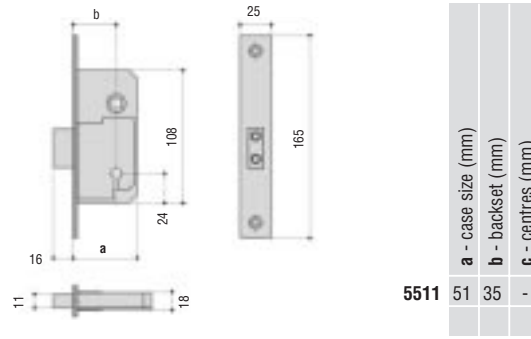
**BS**  
**5**

- BS3621:1998 compliant
- 5 close gated levers with built in anti pick device
- 1000 differs
- Reversible latchbolt
- 3 plated steel solid bow keys
- Brass deadbolt with 2 hardened steel inserts
- 10 year guarantee

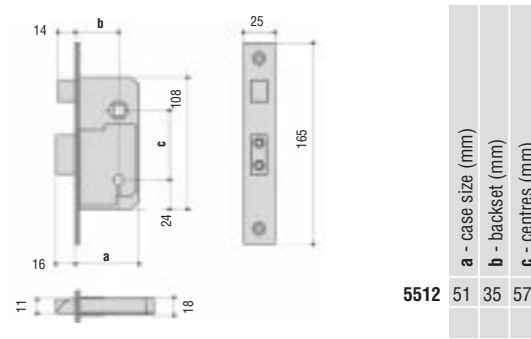
Steel case black powder coated, with hardened steel protective plate.  
Steel box strike brass or satin chrome plated. Genuine brass trim plate for fitting to face of box strike plate available at extra cost.  
Forend: SS (stainless steel)  
PB (polished brass)



**5511**  
Deadlock with 35mm backset.  
Supplied with ref:980/973 escutcheons.



**5512**  
Sash locks with 35mm backset.  
Suitable for sprung lever furniture with 8mm spindle.



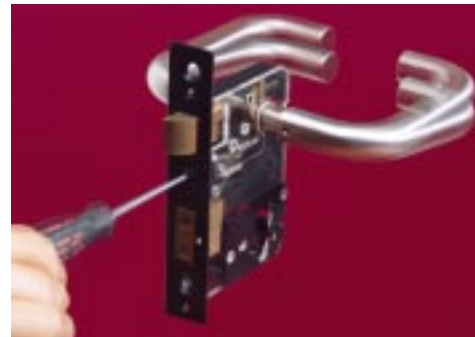
**Legge 6 lever Locks**

**6**  
**KA**

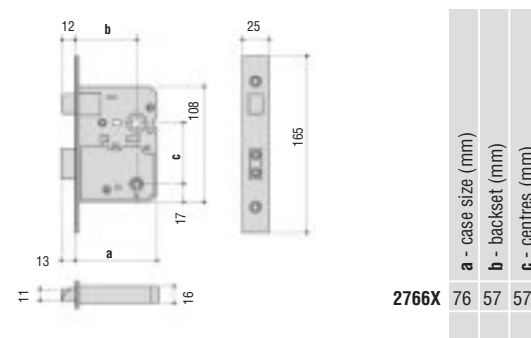
- 6 close gated differ levers
- 1000 differs
- Reversible brass latchbolt
- 2 plated steel keys
- Anti pick keyhole protection
- Brass deadbolt with 2 hardened steel inserts
- Brass or stainless steel flat strike
- 10 year guarantee

**X-Tension Feature**

The unique Legge X-Tension feature enables the spring tension within the lock to be adjusted 'in-situ' to suit the weight of the lever furniture being used.  
This patented design ensures that unsightly and ineffective drooping levers can be quickly and easily rectified without removing the lockcase or the lever furniture.



**2766X**  
6 lever sashlock with 57mm backset.  
Suitable for bolt through furniture fixings, 5mm Ø at 38mm centres.  
This lock incorporates the unique Legge X-Tension feature which makes it suitable for use with sprung or heavy unsprung lever furniture (see below).  
May be keyed alike - **2766XKA**



Steel case powder coated brown.  
Capron® 8mm follower, suitable for sprung lever furniture with 8mm spindle.  
Forend & Strike: NP (nickel plated)  
PB (polished brass)

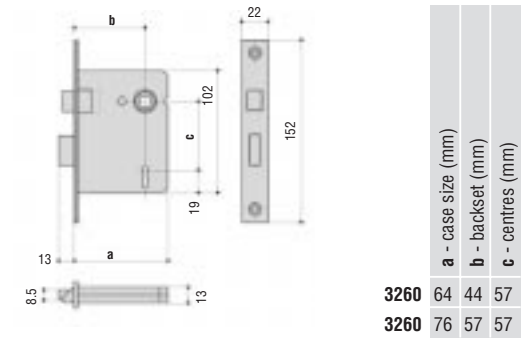
**Legge 3 Lever Budget Locks**

**3**

- Economic solution
- 3 brass levers
- 100 differs
- Reversible latchbolt
- 2 steel keys



**3260**  
Sashlocks with 44mm and 57mm backset.  
Suitable for bolt through furniture fixings, 5mm Ø at 38mm centres.  
Suitable for sprung lever furniture with 8mm spindle.  
Specify backset required.



Steel case powder coated brown.  
Capron® 8mm follower, suitable for sprung lever furniture with 8mm spindle.  
Forend & Strike: NP (nickel plated)  
PB (polished brass)

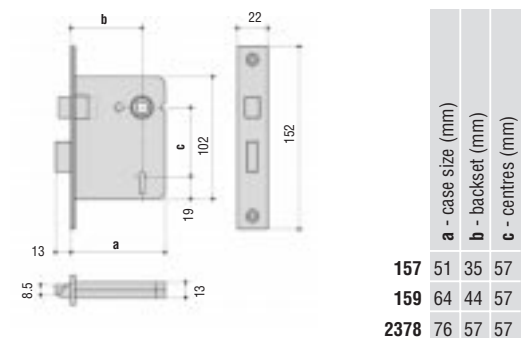
**Legge 2 Lever Budget Locks**

**3**

- Economic solution
- 2 brass levers
- 24 differs
- 2 die cast keys



**157 / 159 / 2378**  
Sashlocks with 35/44/57mm backsets.  
Suitable for bolt through furniture fixings, 5mm Ø at 38mm centres.  
Suitable for sprung lever furniture with 8mm spindle.



**3 Legge Horizontal Locks & Latches**

- Modular case
- Especially suitable for knob furniture
- 100 differs
- Brass bolts
- 2 steel keys
- Double handed follower
- 3 year guarantee

Steel case, white powder coated.  
Forend & Strike plate:  
SS (Stainless Steel)  
PB (Polished Brass)



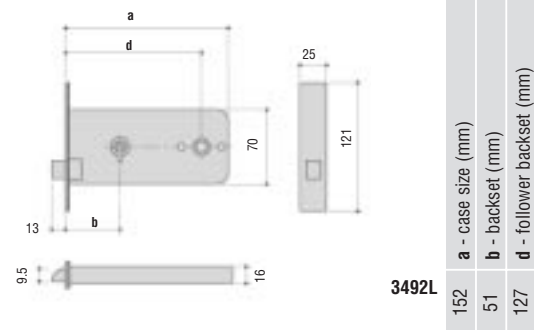
**MORTICE LATCHES**

A series of mortice latches ranging from fully sprung architectural latches suitable for unsprung lever furniture, to simple tubular latches ideally suited for use with sprung furniture in domestic applications.



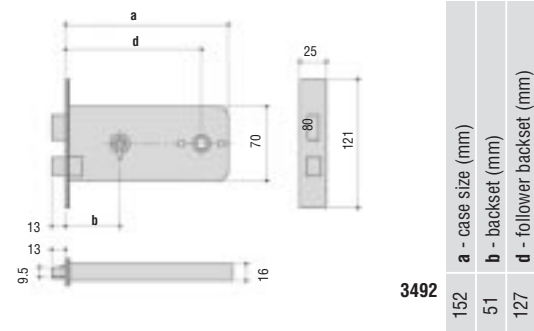
**3492L**

Architectural horizontal latch with 127mm backset. Suitable for bolt through fixings 5mm Ø at 38mm centres. 8mm follower suitable for knob furniture.



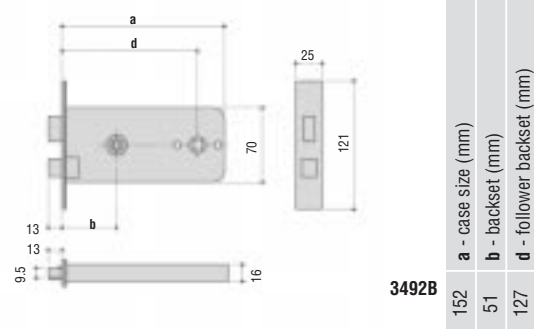
**3492**

Horizontal sashlock with 127mm backset. Not available masterkeyed. Suitable for bolt through furniture fixings, 5mm Ø at 38mm centres. Latch is withdrawn by clockwise or anticlockwise operation, particularly suitable for knob furniture. Suitable for sprung lever furniture with 8mm spindle.



**3492B**

Horizontal bathroom lock. 5mm deadbolt follower, 8mm follower for knob furniture. Latch is withdrawn by clockwise or anticlockwise knob operation. Suitable for bolt through furniture fixings, 5mm Ø at 38mm centres. Forend: PB (Polished brass) SS (Satin stainless steel)



	operation	lock type	case size (mm)	backset (mm)	revers. latch	unsprung furniture	lockable	bolt through	see page no.
3751	lever	bathroom	64/76	44/57	●			●	19
2512R5	lever	bathroom	76	57			●		19
2512S5	lever	bathroom	76	57			●		19
2512R8	lever	bathroom	76	57			●		19
2512S8	lever	bathroom	76	57			●		19
189	knob/lever	latch	102	87	●				20
3708	lever	latch	64	44	●				20
3709LK	lever	locking latch	76	60	●				20
164	lever	latch	64	44	●				20
176	lever	latch	76	57	●	●			20
3721	lever	tubular	64	44					21
3722	lever	tubular	79	60					21
3722LK	lever	tubular	79	60					21
3724LK	knob/lever	tubular	95	76			●		21
1510	push/pull	adjust. roller	na	na					21
1511	push/pull	adjust. roller	na	na					21

**Legge Bathroom Locks**

**3**

- Brass bolts
- Reversible latchbolt
- Accepts bolt through furniture fixings

Steel case zinc or powder coated.  
 Suitable for bolt through furniture fixings, 5mm Ø at 38mm centres.  
 Capron® followers.  
 Forend & Strike: SS (stainless steel)  
 PB (polished brass)  
 NP (nickel plated)



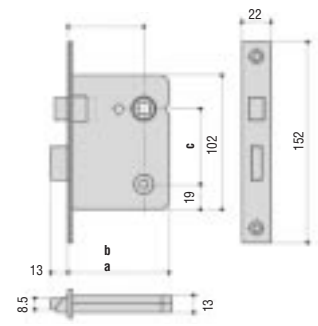
Steel case zinc coated.  
 Ideally suited to domestic applications, these latches offer an economic latch for use with sprung lever furniture.  
 Forend & Strike:  
 NP (nickel plated steel) - 3708/3709  
 PB (polished brass) - 189/164/176  
 SS (stainless steel) - 164/176

**Legge Mortice Latches**



**3751**

Upright bathroom lock with 5mm deadbolt follower and 8mm lever follower suitable for sprung lever furniture with 8mm spindle.  
 Suitable for bolt through fixings 5mm Ø at 38mm centres.  
 Forend: PB (Polished brass)  
 NP (Nickel plated)

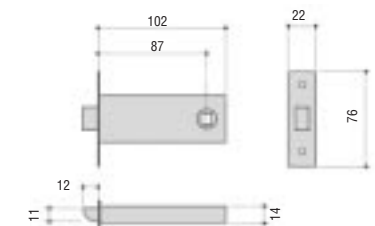


	a - case size (mm)	b - backset (mm)	c - centres (mm)
3751	64	44	57
3751	76	57	57



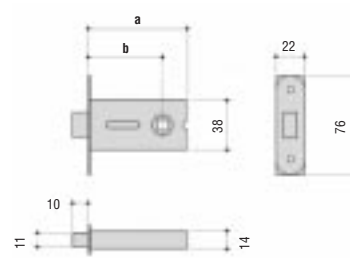
**189**

Flat mortice latch with 87mm backset. With 8mm zinc die cast follower, suitable for use with sprung lever furniture with 8mm spindle.



**2512R5 / 2512S5 / 2512R8 / 2512S8**

Bathroom deadlatch. 5mm or 8mm follower. Round or square forend. Specify size and style when ordering. Designed for use, when required, with thumbturn to operate locking function.

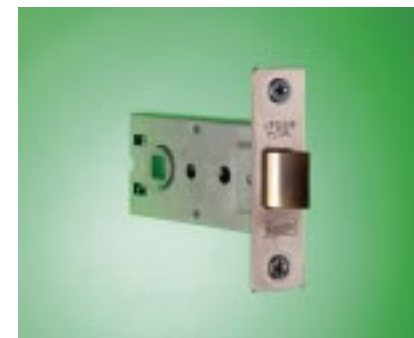
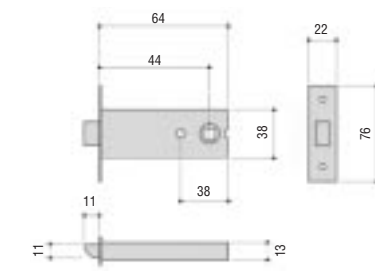


	a - case size (mm)	b - backset (mm)	c - centres (mm)
2512	76	57	-



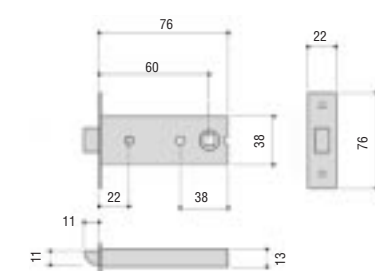
**3708**

Architectural latch with 44mm backset. Suitable for bolt through fixings 5mm Ø at 38mm centres. 8mm zinc die cast follower, suitable for use with sprung lever furniture with 8mm spindle.



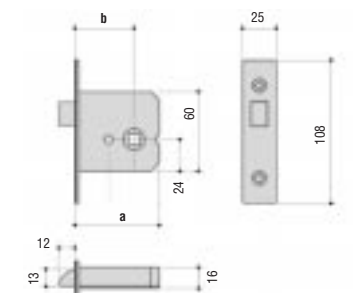
**3709LK**

Architectural latch with 60mm backset. Suitable for bolt through fixings, 5mm Ø at 38mm centres. 8mm zinc die cast follower, suitable for use with sprung lever furniture with 8mm spindle. Designed for use when required with thumbturn ref: 14 to operate locking function.



**164 / 176**

Architectural latches with 44mm and 60mm backsets. Suitable for bolt through fixings 5mm Ø at 38mm centres. Suitable for use with sprung lever furniture with 8mm spindle.



	a - case size (mm)	b - backset (mm)	c - centres (mm)
164	64	44	-
176	76	60	-

164 latch in polished brass used with matching Steden Studio lever furniture.



For further information please contact the **Technical Helpline 0800 834 102**

**Legge Tubular Latches & Roller Catches**

- Fixed using a 22mmØ drill bit
- Locking tubular latch variants

Zinc coated steel case assembly, with 8mm Capron® follower (tubular latches), suitable for use with sprung lever furniture with 8mm spindle.

Forend & Strike: NP (nickel plated steel)  
EB (electro brassed steel)  
PB (polished brass)

Roller catches have a steel cage with brass roller head. Forend finishes as indicated below.



**RIM LOCKS AND NIGHTLATCHES**

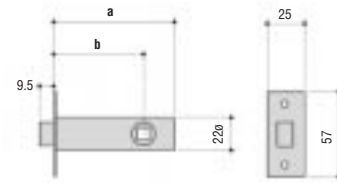
A series of surface mounted nightlatches with both deadlocking and non deadlocking functions within the same product. They are used in conjunction with a rim cylinder, and are available for use on inward and outward opening doors.

A series of surface mounted rim locks, ideally suited to traditional or period domestic applications.



**3721 / 3722**

Tubular latch with 44mm and 60mm backset. Not suitable for bolt through fixings, or unsprung lever furniture. Lifetime guarantee.



	a - case size (mm)	b - backset (mm)	c - centres (mm)
3721	64	44	-
3722	79	60	-

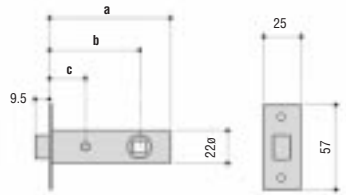


**3722LK / 3724LK**

Tubular latch with 60mm and 76mm backset. Not suitable for bolt through fixings, or unsprung lever furniture.

Both latches are lockable when used with a separate thumbturn ref: 14.

Lifetime guarantee.



	a - case size (mm)	b - backset (mm)	c - locking backset (mm)
3722LK	79	60	22
3724LK	95	76	28

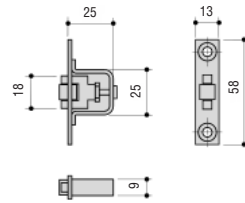


**1510**

Brass adjustable roller catch providing a positive push-pull operation.

Forend: SCP (Satin chrome plated)

PB (Polished brass)

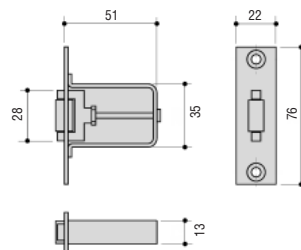


**1511**

Brass adjustable roller catch providing a positive push-pull operation.

Forend: SS (Stainless steel)

PB (Polished brass)



	lockcase type	locking type	operation	reversible	masterkeyed	see page no.
707DL	nightlatch	cylinder	key/knob	●	●	23
727DL	nightlatch	cylinder	key/knob	●	●	23
323	nightlatch	cylinder	key/knob	●	●	23
404DL	nightlatch	cylinder	key/knob	●	●	23
424DL	nightlatch	cylinder	key/knob	●	●	23
66	nightlatch	cylinder	key/knob	●	●	23
2136	rim lock	tumbler	knob	●	●	24
2143	rim latch	snib	knob	●	●	24
2144	rim deadlock	tumbler	knob	●	●	24
2476	rim lock	tumbler	knob	●	●	24
2098	rim lock	lever	lever	●	●	24

**Legge Nightlatches**

**MK**

- Surface mounted
- Reversible bolt (where indicated) for use on outward opening doors
- Supplied with 5 pin cylinder
- Deadlocking / non deadlocking
- Suitable for masterkeying
- Hold back function

Surface mounted nightlatches operated by rim cylinder from outside and by snib/turn from inside. For doors 29 - 64mm thick. Supplied c/w 5 pin rim cylinder with loose rose and nickel silver keys. Cylinders can be supplied for master, submaster or grandmaster suites. Matching cylinder pulls can be supplied on request. Note: all the nightlatches should be used in conjunction with BS deadlock (p7 & 15)



A range of surface mounted cases suitable for use with a selection of knobs with 8mm spindles. Ideally suited to traditional or period domestic applications on panel doors or on T&G doors on sheds or garages etc. Unless shown otherwise, the latchbolts are reversible (2098 please state hand and if reversed bolt is required). Note: all locks below should be used in conjunction with BS deadlock (p7 & 12)

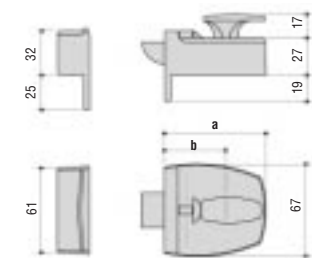
**Legge Rim Locks & Latches**

**2**



**707DL / 727DL**

Multifunction nightlatch with clockwise or anticlockwise knob operation to withdraw latch. When deadlocking function is selected, latch and knob are rendered inoperable by full turn of key from outside. Reversible brass latch bolt for use on outward opening doors (use with strike to special order). Finishes: SCP/SV; PB/SV; PB/BP; SCP/CP (see below) Silver bodied nightlatch has a chrome plated knob. The brass plated body has a brass plated knob.

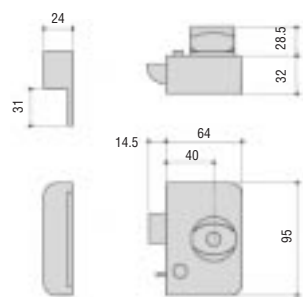


727DL: a-73mm / b-44mm  
707DL: a-89mm / b-60mm



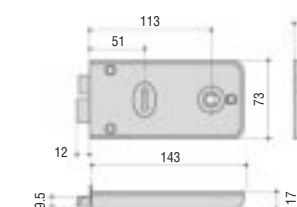
**323**

Deadlocking nightlatch with concealed case fixing. Bolt is automatically deadlocked when door is closed. Knob can be deadlocked by key before closing the door, or with the door in the closed position. The bolt can be held open by push button. Not suitable for use on outward opening doors. Finishes: PB/GD; PB/BP (see below) Gold bodied nightlatch has a brown powder coated knob, and brass plated body has a brass plated knob. Not available masterkeyed.



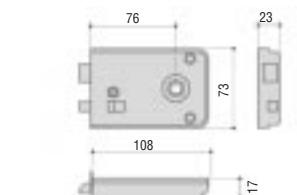
**2136**

Rim lock with 12 differs and supplied with 2 plated steel keys. Finish: SV (Powder coated silver grey) PB (Polished brass) MB (Matt Black)



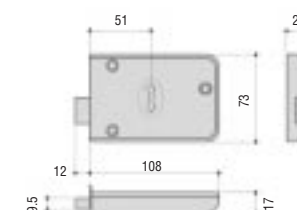
**2143**

Rim latch with additional privacy bolt operated by integral snib. Finish: SV (Powder coated silver grey) PB (Polished brass) MB (Matt Black)



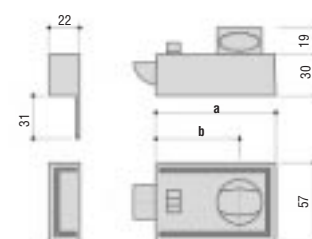
**2144**

Rim deadlock with 12 differs and supplied with 2 plated steel keys. Finish: SV (Powder coated silver grey) PB (Polished brass) MB (Matt Black)



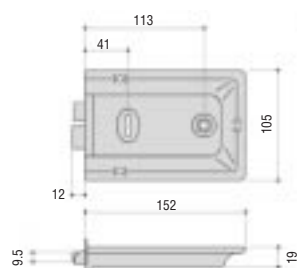
**404DL / 424DL**

Multifunction nightlatches with concealed case fixing. Bolt and knob can be deadlocked from outside by full turn of key. Bolt can be locked by snib from inside. Reversible brass latch bolt for use on outward opening doors (use with strike to special order). Finishes: SCP/SV; PB/GD; PB/BP (see below) Knob finishes: Black (SV case); Brown (GD case); Brass plated (BP cases)



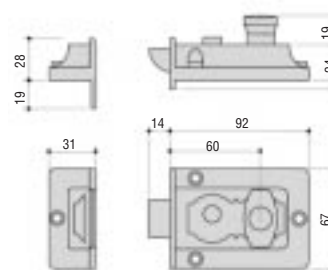
**2476**

Rim lock with 12 differs and supplied with 2 plated steel keys. Finish: SV (Powder coated silver grey) PB (Polished brass) MB (Matt Black)



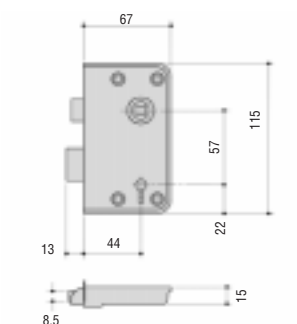
**66**

Traditional rim nightlatch design. Non deadlocking. Bolt can be held in withdrawn position by snib. Reversible brass latch bolt for use on outward opening doors (use with strike to special order). Finishes: PB/BP; PB/GD (see below) Knob finishes: Brown (GD case); Brass plate (BP cases)



**2098**

Upright rim lock with 12 differs and supplied with 2 plated steel keys. Particularly suitable for caravans and mobile units. Available as left and right hand, inward and outward opening with lever furniture available to suit. Please state hand when ordering. Finish: SV (Powder coated silver grey)



SCP/SV (satin chrome cylinder/silver case); PB/SV (polished brass cylinder/silver case); PB/BP (polished brass cylinder/brass plated case); PB/GD (polished brass cylinder/gold case); SCP/CP (satin chrome cylinder/polished chrome case).

For further information please contact the **Technical Helpline 0800 834 102**

## Legge Rebate Sets

A series of rebate sets is available to enable the installation of Legge mortice locks and latches into rebated doors. Most rebate sets are available to suit both 13mm and 25mm rebate depths.

Full fixing instructions are provided, but if there is any doubt about compatibility, or the suitability of any Legge rebate set to a particular application please contact our Technical Services Department.



The Platform range of modular locks uses a simple means of numbering which indicates the type of lock, the size and finish. This can be used as a quick reference to identification (see below)

lock ref	157/159/2378	164/176	189	1511	1643/1763	1645/1765	2378	2512	2643/2763	2643L/ 2763L	2645/2765	3260	3492	3492B	3492L	3708	3709LK
rebate	59	64	2567	2566	41	41	59	2567	42	49	42	59	56	56	56	08	08
13mm	•	•	•	•	•	•	•	•	•	•	•	•	•	•	•	•	•
25mm	•	•	•		•	•	•		•	•	•	•	•	•	•		•

lock ref	3721/3722	3722LK/ 3724LK	3751	5264D/ 5276D	5511	5512	5641/5761	5642/5762	2766X	7643/7763	9643/9763	9645					
rebate	21	21	59	46	42	42	41	42	48	42	-	-					
13mm	•	•	•	•	•	•	•	•	•	•							
25mm	•		•	•	•	•	•	•	•	•							

description	ref	page	description	ref	page
traditional rim nightlatch	66	23	5 lever platform sash lock	2645	9
2 lever mortice sash lock	157	16	5 lever platform sash lock - masterkeyed	2645MK	12
2 lever mortice sash lock	159	16	3 lever platform sash lock	2763	10
architectural mortice latch	164	20	platform latch	2763L	11
architectural mortice latch	176	20	3 lever platform sashlock - masterkeyed	2763MK	13
flat mortice latch	189	20	5 lever platform sash lock	2765	9
security nightlatch	323	23	5 lever platform sash lock - masterkeyed	2765MK	12
multifunction rim nightlatch	404DL	23	3 lever mortice sash lock	3260	16
multifunction rim nightlatch	424DL	23	3 lever horizontal sashlock	3492	17
multifunction nightlatch	707DL	23	horizontal bathroom lock	3492B	17
multifunction nightlatch	727DL	23	horizontal mortice latch	3492L	17
covered escutcheon	973	8	flat mortice latch	3708	20
plain escutcheon	980	8	flat mortice latch, lockable	3709LK	20
roller catch	1510	21	tubular latch	3721	21
roller catch	1511	21	tubular latch	3722	21
3 lever platform deadlock	1643	10	tubular latch, lockable	3722LK	21
3 lever platform deadlock - masterkeyed	1643MK	13	tubular latch, lockable	3724LK	21
5 lever platform deadlock	1645	9	mortice bathroom lock	3751	19
5 lever platform deadlock - masterkeyed	1645MK	12	5 lever BS deadlock	5511	15
3 lever platform deadlock	1763	10	5 lever BS sashlock	5512	15
3 lever platform deadlock - masterkeyed	1763MK	13	5 lever BS platform deadlock	5641	8
5 lever platform deadlock	1765	9	5 lever BS platform sashlock	5642	8
5 lever platform deadlock - masterkeyed	1765MK	12	5 lever BS platform deadlock	5761	8
rim lock in upright case	2098	24	5 lever BS platform sashlock	5762	8
rim lock	2136	24	6 lever X-Tension sashlock	6276X	15
rim latch with snib bolt	2143	24	platform bathroom lock	7643	11
rim deadbolt	2144	24	platform bathroom lock	7763	11
2 lever mortice sash lock	2378	16	3 lever platform sliding door lock	9643	10
rim lock	2476	24	3 lever platform sliding - masterkeyed	9643MK	13
mortice bathroom deadlock	2512	19	5 lever platform sliding door lock	9645	9
3 lever platform sash lock	2643	10	5 lever platform sliding - masterkeyed	9645MK	12
platform latch	2643L	11	3 lever platform sliding door lock	9763	10
3 lever platform sashlock - masterkeyed	2643MK	13	3 lever platform sliding - masterkeyed	9763MK	13

