

Datasheet  
Stock No: 419-7372

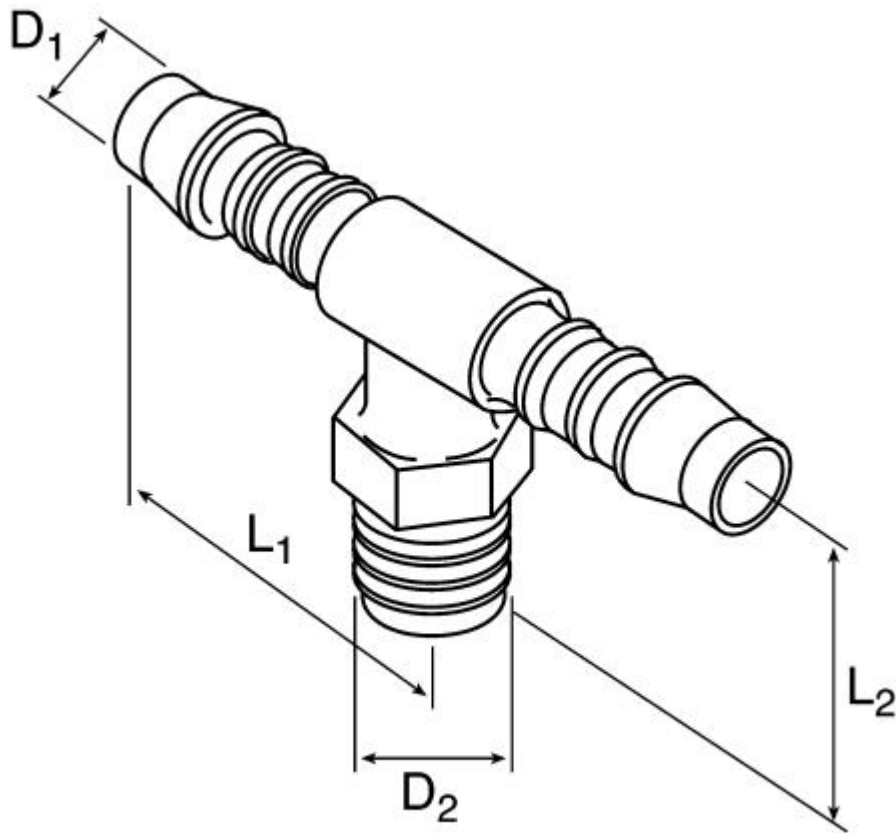


Image representative of range

## Product Details

Tee Connector

Plastic Push Fittings

Polyamide, tough, lightweight, good impact and wear resistance

Male BSPT, deep moulded ribs, allow use of hose clips, positive sealing

## Specifications:

Hose Inner Diameter	8mm
Body Material	Polyamide
Threaded Connection	1/4 in R Male
Thread Size	1/4in
Coupling Gender	Male
Coupling Connector Direction	Tee
Thread Gender	Male
Thread Standard	R