

## Part Information:



**Part Number:** C016 10C019 000 2

**Description:** Male receptacle, flange mounting with mounted gasket, 19+PE version without contacts

**Family:** C16-3

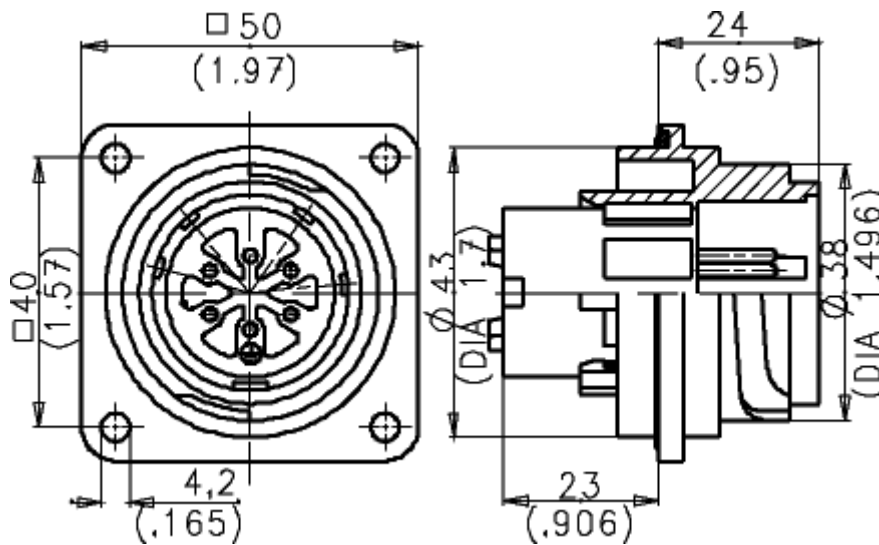
## Specifications

Shell Size 2				
Number of contacts	5+PE	12+PE	14+PE	19+PE
Termination	screw	crimp	crimp	crimp
Wire gauge	4 mm <sup>2</sup>	0.14 - 2.5 mm <sup>2</sup>	0.14 - 2.5 mm <sup>2</sup>	0.14 - 1.0 mm <sup>2</sup>
Rated Insulation Voltage	400V	3 x 500V 9 x 300V	400V	250V
Current carrying capacity	21 A	3 x 21 A 9 x 11 A	4 x 11 A 11 x 12 A	7 A
Pollution degree	3	3	3	3
Installation category	III	III	III	III
Protection class	IP 65	IP 65	IP 65	IP 65

General	Standard	Characteristics			
Number of contacts		5+PE	12+PE	14+PE	19+PE
<b>Electrical</b>					
Rated insulation voltage	IEC 60664-1	400 V	3 x 500 V 9 x 300 V	400 V	250 V
Rated impulse withstand voltage	IEC 60664-1	6000 V	3 x 6000V 9 x 4000V	3110 V	4000 V
Pollution degree	IEC 60664-1	3	3	3	3
Installation (overvoltage) category	IEC 60664-1	III	III	III	III
Material group	IEC 60664-1	II	II	II	II
Test voltage	IEC 60664-1	2900 V	3 x 2900 V 9 x 1960 V	3110 V	1960 V
Current carrying capacity	IEC 60512-3	21 A	3 x 21 A 9 x 11 A	4 x 11 A 11 x 12 A	7 A
Insulation resistance	IEC 60512-2	>10 <sup>8</sup> Ω			
Contact resistance	IEC 60512-2	≤5 mΩ			
<b>Climatical</b>					
Climatic category	IEC 60068-1	40 / 100 / 56	40 / 125 / 56		

Temperature range		-40°C ... +125°C (5+PE: + 100°C)			
<b>Mechanical</b>					
IP-degree	IEC 60529	IP 65			
Insertion and withdrawal forces	IEC 60512-7	≤ 15 N	≤ 25 N	≤ 30 N	≤ 25 N
Mechanical operation	IEC 60512-5	≥ 500 mating cycles			
<b>Materials</b>					
Housing		Polyamid 6.6			
Dielectric		Polyamid 6.6			
Gasket		Neoprene			
Contact plating		Silver			
<b>Other Characteristics</b>					
Termination technique		screw	crimp		
Wire gauge		4 mm <sup>2</sup>	0.14 - 2.5mm <sup>2</sup>	0.14 - 2.5mm <sup>2</sup>	0.14 - 1.0mm <sup>2</sup>
Flammability		UL 94 VO			
Locking system		bayonet			

### Line Drawings



### Panel Cutout

