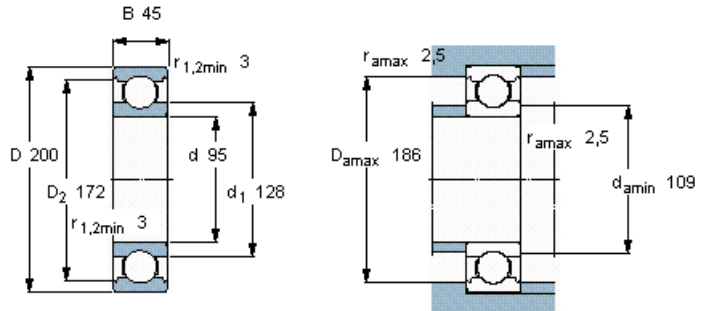


### Deep groove ball bearings, single row

Principal dimensions			Basic load ratings		Fatigue load limit $P_u$	Speed ratings		Mass	Designation
d	D	B	dynamic	static		Reference speed	Limiting speed		
mm			C	$C_0$	kN	r/min	kg	-	* - SKF Explorer bearing
95	200	45	159	118	4,15	7000	4500	5,65	6319 *



**Calculation factors**

$k_r$  0,03  
 $f_0$  13