



GE  
Lighting



Spiral T2 - 8,000 / 10,000  
hrs

OT FLE15HLX/T2/827/B22 GE 1/6T 10Y /37

**85643**

---

## Product information

The T2 10,000 hours spiral lamps are one of the most popular bulb shapes in the energy saving category. With its small size, it will fit all applications currently using incandescent bulbs. Providing more light than the original stick lamps, spiral lamps are one of the most eco-friendly energy saving solutions available today.

---



## Product data

Cap/Base	B22d
Bulb Shape	Heliac
Bulb maximum overall diameter [mm]	49.5
Maximum Overall Length [mm]	106
Net weight per piece [g]	53
Gross weight per piece [g]	96
Operating position	Universal
Mercury Content [mg]	1.5
UV radiance	exempt
Regulatory comment	EUP related
Brand	General Electric (GE)

## Performance data

Colour Code	827
Colour Rendering Index (CRI) [Ra]	82
Nominal correlated colour temperature (CCT) [K]	2700
Nominal lumens [lm]	950
Rated Lumens [lm]	950
Energy efficiency class (EEC)	A
Rated Life [h]	10000
Rated median life on electronic (HF) ballast on IEC 3-hour cycle	10000
Nominal power [W]	15
Nominal lamp voltage [V]	230

## Electrical data

Rated power [W]	15.0
Nominal lamp power factor	>= 0,55
Weighted energy consumption [kWh/1000h]	15
Operating Temperature [°C]	25
Operating Temperature (MAX) [°C]	50
Startup time [sec]	0.3
Run-up time (sec)	< 40
Starting time [sec]	< 0,3
Number of switching cycles	10000
Dimming Capability	No

## Logistic data

DUN Code	10043168856437
EAN Code	0043168856430
Pack Quantity	6
Inner pack type	BOX
Outer pack type	OUTER BOX
Layer quantity	216 EUR, 264 UK
Layer quantity EUR	216
Layer quantity UK	264
Pallet quantity EUR (PC)	1728
Pallet quantity UK (PC)	2112
Outer case size	186 x 138 x 127 (mm)
Product status	Available

## Application areas

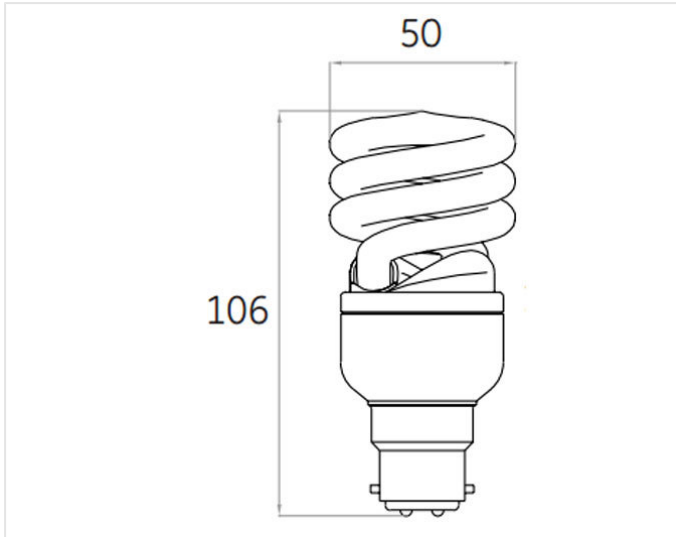


Home

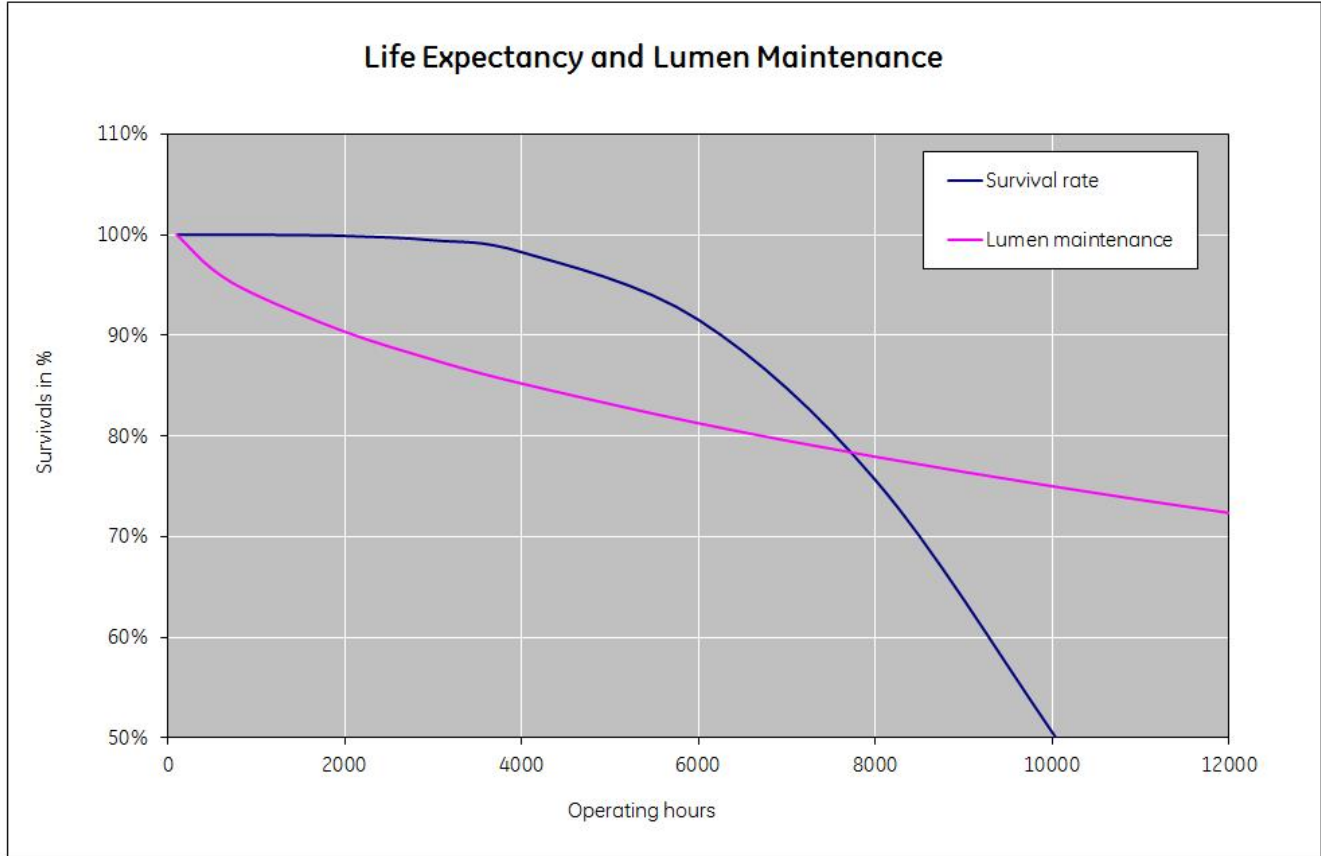


Office

## Technical drawing



## Survival Data



## Downloads & Links

[Go to the catalog site \(HTTP\)](#)

[CFL Integrated Spectrum Catalogue \(PDF\)](#)

[T2 Spiral 8000/10000 Hours Datasheet \(PDF\)](#)

[Disposing and Cleaning of CFL Lamps \(HTTP\)](#)

[Lighting design tools & calculators \(HTTP\)](#)