

FEATURES

- 50 Ω impedance
- Operating frequency is 18GHz
- Stainless steel body
- Gold-plated contacts ensure maximum efficiency

RS PRO RF Attenuator

RS Stock No.: 2823264



RS PRO is the own brand of RS. The RS PRO Seal of Approval is your assurance of professional quality, a guarantee that every part is rigorously tested, inspected, and audited against demanding standards. Making RS PRO the Smart Choice for our customers.

Product Description

This is a SMA 50 Ω 20dB Attenuator ,SMA male to female,0-18G,2w power.

Attenuators are widely used in cable TV systems to meet the level requirements of multiple ports. Such as amplifier input, output level control, branch attenuation control.

The attenuator can fit with N male/female type connector.

General Specifications

Type of coaxial connector(sive1/side 2)	SMA male/SMA female
Interface standard	IEC61169-15

Material and finishing

Piece part(Side 1)	
Body	Stainless steel TYPE 303, Passivate
Contact	Copper,gold plating
Coupling nut	Stainless steel TYPE 303, Passivate
Insulation Material	PTFE
Piece part(Side 2)	
Body	Stainless steel TYPE 303, Passivate
Contact	Beryllium Copper,gold plating
Insulation Material	PTFE

Mechanical Specifications

Retention force of the inner conductor	0.28N(min)
--	------------

Electrical Specifications

Characteristic Impedance	50Ω
Nominal attenuation	20dB
Frequency Range	0~18GHz
VSWR	DC~4G 4~8G 8~12.4G 12.4~18G 1.15 1.20 1.25 1.35
Attenuation accuracy	±1.2dB
Input power	2 watts Avg. @25°C

Protection Category

Operating Temperature Range	-40°C~+85°C
Storage Temperature Range	-40°C~+85°C
Product Life Cycle (PLM)	500Cycles

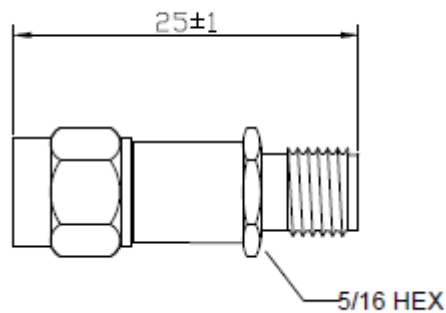
Approvals

Declarations	CE
Hazardous Area Certification	-
Standards Met	ROHS

Similar Products

Stock No.	Brand	Product Name	Attribute 1	Attribute 2	Attribute 3
285-9618	RS PRO	RF coaxial attenuator	50Ω impedance	Operating frequency is 18GHz	

Connection Diagrams / Assembly Diagrams / Illustrations / Accessories



Unit:mm