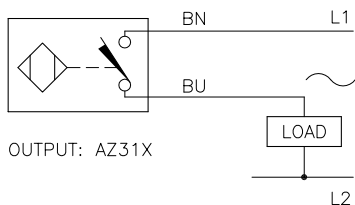
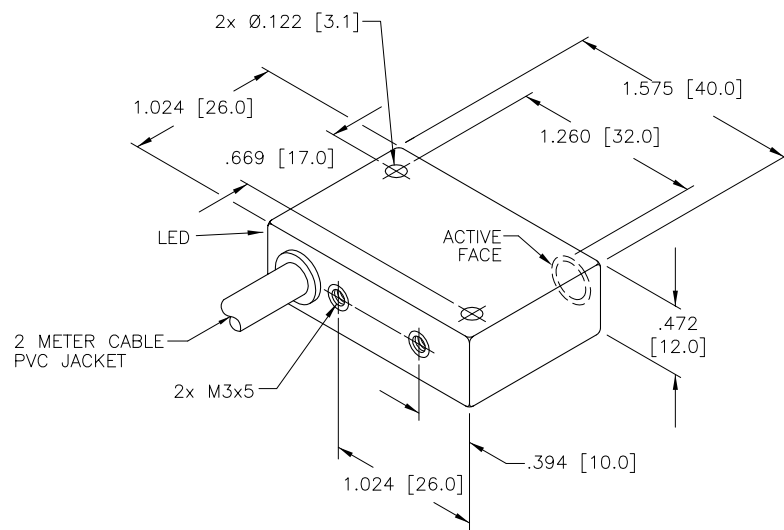


WIRING DIAGRAM



OUTPUT: AZ31X

WARNING: NO SHORT-CIRCUIT PROTECTION. ALWAYS WIRE A LOAD IN SERIES WITH THE SENSOR.



SPECIFICATIONS

OPERATING VOLTAGE	35-250 VAC/DC
LINE FREQUENCY	40-60 Hz
HYSTERESIS (DIFFERENTIAL TRAVEL)	3-15% (5% TYPICAL)
VOLTAGE DROP ACROSS CONDUCTING SENSOR	≤ 11.0 V at 100 mA
OUTPUT FUNCTION -AZ	NORMALLY OPEN 2-WIRE AC SELF-CONTAINED
SHORT-CIRCUIT PROTECTED	NO
CONTINUOUS LOAD CURRENT	≤ 100 mA
OFF-STATE (LEAKAGE) CURRENT	≤ 1.7 mA
MINIMUM LOAD CURRENT	≥ 5.0 mA
INRUSH CURRENT	≤ 1.0 A (≤ 10 ms/5 Hz)
TIME DELAY BEFORE AVAILABILITY	≤ 25 ms
POWER-ON EFFECT PROTECTION	INCORPORATED
PROTECTION AGAINST TRANSIENTS	5 kV, 10 ms, 10 kΩ
OPERATING TEMPERATURE	-25°C to +70°C (-13°F to +158°F)
ENCLOSURE	MEETS NEMA 1, 3, 4, 6, 13 AND IEC IP67
SHOCK	30 g, 11 ms
VIBRATION	55 Hz, 1 mm AMPLITUDE (IN ALL 3 PLANES)
LED FUNCTION	RED: OUTPUT ENERGIZED
SENSING RANGE	2 mm = .079" (NOMINAL)
SWITCHING FREQUENCY	20 Hz
REPEATABILITY	≤ 2% of RATED OPERATING DISTANCE
EMBEDDABLE (SHIELDED)	YES

SOURCE DRAWING - FOR REFERENCE ONLY

NOTES:

1. REAR MOUNTING HOLES ARE M3x0.5 THREAD (2 PLACES).

RELATED DOCUMENTS		3RD ANGLE PROJECTION		THIS DRAWING IS PROPERTY OF TURCK INC. USE OF THIS DOCUMENT WITHOUT WRITTEN PERMISSION IS PROHIBITED.		TURCK INC High Technology Sensors and Automation Controls 3000 CAMPUS DRIVE MINNEAPOLIS, MN 55441 1-800-544-7769 (763) 553-7300 (763) 553-0708 fax turck.com	
1. 2. 3. 4.				DRFT GMB DATE 11/21/89		DESCRIPTION BI 2-Q12-AZ31X	
MATERIAL PBT-GF30-VO PLASTIC		ALL DIMENSIONS DISPLAYED ON THIS DRAWING ARE FOR REFERENCE ONLY		DSGN GMB SCALE NONE		IDENTIFICATION NO. M1310000	
FINISH		CONTACT TURCK FOR MORE INFORMATION		UNIT OF MEASUREMENT INCH [MILLIMETER]		REV C	
C UPDATE OPERATING VOLTAGE, SEE ECO		RWC 08/09/07 18320		DO NOT SCALE THIS DRAWING		FILE: M1310000 SHEET 1 OF 1	
REV	DESCRIPTION	BY	DATE	ECO NO.			