

## Datasheet

# RS Motherboard 228mm Length,, 6 A, 20 → 80 V dc For Use With PM Series

RS Stock number 441-0271

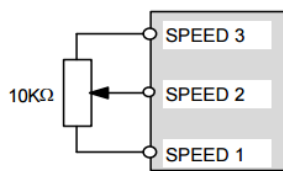


## Specification

With adjustable current from 2.5 to 6 amps / phase, combined with chopped constant current drive technology which enables current forcing from supply voltages up to 85 Vdc, the unit provides high efficiency and optimum performance characteristics when using size 23 & 34 hybrid stepper motors.

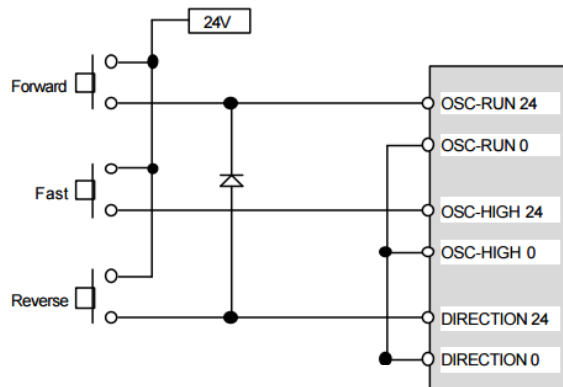
### Connections using on board oscillator

A 10KΩ potentiometer should be connected externally to set the high speed.



The on board oscillator may be controlled by manual control switches. This example uses three push buttons;

If movement at base speed is not required, then the high speed switch may be replaced by a link.



Type without front panel		panel fitted as standard	Notes
Type with front panel		<b>PM 546</b>	
Supply voltage	Vdc	24-85	Max ripple: 3 V peak/peak
Current consumption	Amps	2.0 to 4.0	Depending on motor current selected
Output stage		2 phase Bi-polar	
Output current per phase	Amps	2.5 to 6.0	set by on-board DIP switch
Step logic		Full step / Half step	set by on-board DIP switch
Control Signals	Vdc	3-5 or 10-30	optically isolated
External current setting		25 - 90%	using external 10K Ohm potentiometer
Current reduction @ standstill		typically 20 - 25%	using on-board current setting
Current reduction selection		automatic or external	set by on-board DIP switch
Thermal Warning		front panel status lamp	and output signal @ 80°C
Thermal shutdown		automatic or external	set by on-board DIP switch
Enable / inhibit		External signal	sense set by on-board DIP switch
Direction		External signal	sense set by on-board DIP switch
External Clock signal		one step per pulse	Opto-isolated input
Max input frequency	KHz	20	6 µsec. minimum pulse width
Internal clock functions			Opto-isolated inputs
Low frequency range ( BASE )	KHz	0.002 to 0.7	set by front panel trimmer
Slew frequency range ( HIGH )	KHz	0.6 to 18	set by external 10 K Ohm potentiometer
Acceleration/ decel. RAMP		adjustable	set by front panel trimmer
Auto-Ramp on reverse signal		standard	set by on board DIP switch
Front panel Status Lamp		Green	Drive OK. & enabled
		Yellow	Drive not enabled
		Red	Fault: Over temperature / Over current
Status output signal	mA	10 max.	Optically isolated: ON when OK
Operating ambient temperature	°C	0-30	Use forced cooling for operation at higher temperatures
Dimensions	mm	228 long x 100 x 34	Uses 3U x 7E wide front panel
Recommended Motherboard		MSB543	

### Power Supply considerations

Standard drive current settings	2.5 A	3.0 A	3.5A	4.0 A	4.5 A	5.0 A	5.5 A	6.0 A
Typical Current Consumption	1.5 A	2.0 A	2.5 A	2.7 A	3.0 A	3.2 A	3.6 A	4.0 A
Typical Standby Current	0.9 A	0.9 A	0.9 A	1.0 A	1.0 A	1.2 A	1.2 A	1.3 A

### Typical drive / motor combinations

Motor	<b>23HS-108</b>	<b>23HS-304</b>	<b>23HS-409</b>	<b>34HS-109</b>	<b>34HSX108</b> <b>34HSX208</b>	<b>34HS-209</b>	<b>34HSX314</b> <b>34HS-311</b>
Coil Connection	coils in series	coils in parallel	coils in series	coils in parallel	coils in parallel	coils in parallel	coils in parallel
Drive setting	2.5 Amps	2.5 Amps	3.5 Amps	4.0 Amps	5.0 Amps	5.5 Amps	6.0 Amps

## Recommended Racked 70 Vdc Power Supply :

PM175: 6 Amp rating for single & multi-axis installations

### Control settings

1 <input type="checkbox"/>	SS	<input checked="" type="checkbox"/> Half step	<input checked="" type="checkbox"/> Full step
2 <input checked="" type="checkbox"/>	DR	<input type="checkbox"/> Direction normal	<input type="checkbox"/> Direction reversed
3 <input checked="" type="checkbox"/>	PR	<input checked="" type="checkbox"/> Automatic power reduction	<input type="checkbox"/> No automatic power reduction
4 <input checked="" type="checkbox"/>	TS	<input checked="" type="checkbox"/> Automatic thermal shutdown	<input type="checkbox"/> Thermal warning only
5 <input checked="" type="checkbox"/>	EP	<input checked="" type="checkbox"/> Enable polarity - disable	<input type="checkbox"/> Enable polarity - enable
Off On			

The above example shown the drive set for half step, with the direction reversed, automatic power reduction and automatic thermal shutdown (recommended), and requiring an external enable signal.

### Current settings

The motor phase current may be set to the required value using on board switches as shown below. Since the motor winding inductance may affect the actual current applied by the drive, the actual phase current applied to the motor should be checked during commissioning when the motor is in a stationary condition.

6 <input checked="" type="checkbox"/>	<input type="checkbox"/>	<input checked="" type="checkbox"/>	<input type="checkbox"/>	<input checked="" type="checkbox"/>	<input type="checkbox"/>	<input checked="" type="checkbox"/>	<input type="checkbox"/>	<input checked="" type="checkbox"/>
7 <input type="checkbox"/>	<input checked="" type="checkbox"/>	<input type="checkbox"/>	<input checked="" type="checkbox"/>	<input type="checkbox"/>	<input checked="" type="checkbox"/>	<input type="checkbox"/>	<input checked="" type="checkbox"/>	<input type="checkbox"/>
8 <input type="checkbox"/>	<input checked="" type="checkbox"/>	<input type="checkbox"/>	<input checked="" type="checkbox"/>	<input type="checkbox"/>	<input checked="" type="checkbox"/>	<input type="checkbox"/>	<input checked="" type="checkbox"/>	<input type="checkbox"/>
Off On	2.5A	3.0A	3.5A	4.0A	4.5A	5.0A	5.5A	6.0A

This example shows a selected current of 3.5 amps per phase.

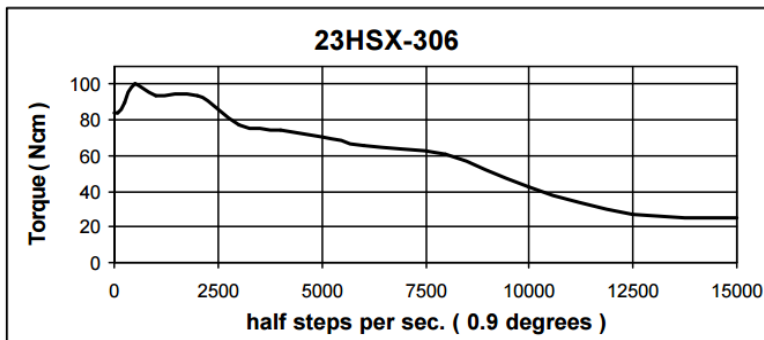
When using greater than 4.0A, either automatic power reduction or forced air cooling is recommended.

If required, external adjustment of the set current value may be obtained by using a 10KΩ potentiometer or a resistor connected between the CURRENT ADJUST input (IA) and 0V. This will allow an adjustment range of between 25% and 80% of the current value set on the switches.

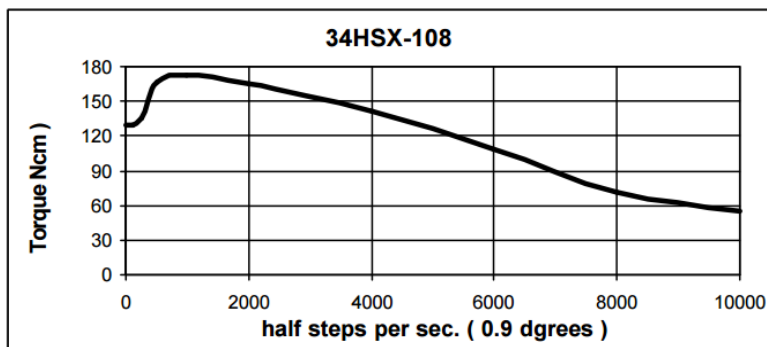
### Advanced control features

The PM 546 design is based on many years experience in stepper motor drive technology and incorporates the following features to provide flexible control:

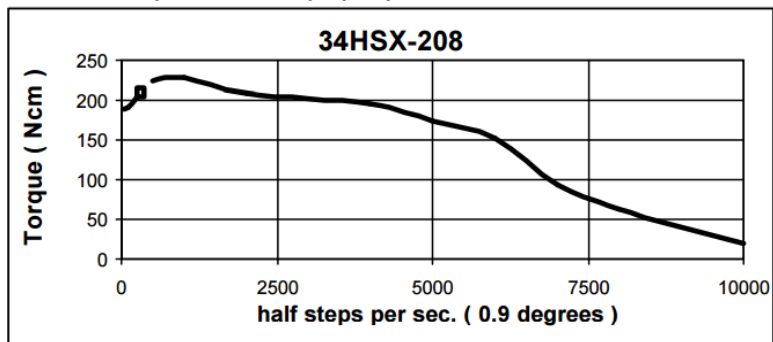
- High efficiency chopped constant current power stage provides increased performance and reduced current consumption
- Single supply rail simplifies power supply requirements
- Short circuit and open circuit protected power stage for increased reliability.
- Selectable full or half step phase logic control
- Adjustable current settings from 2.5A to 6 Amps per phase
- Choice of automatic or externally selectable reduced current for stationary motor conditions to reduce power consumption and motor heating.
- Over-temperature monitor with selectable automatic drive shutdown.
- Opto-isolated 'drive healthy' status output
- Opto-isolated control inputs.
- Control from external clock and direction signals
- Alternative control using on-board voltage controlled oscillator featuring:
  - externally gated adjustable base and high speed settings
  - adjustable acceleration/deceleration ramping.
  - choice of oscillator gating procedures to suit alternative control philosophies.
  - automatic ramping and controlled motor reversal eliminates motor stalling when high speed direction changes are required.



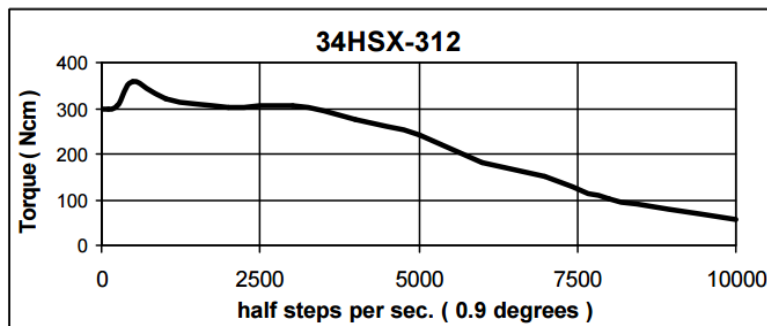
Coils in parallel, 4.0 Amps per phase



Coils in parallel, 5 amps per phase



Coils in parallel, 5 amps per phase



Coils in parallel, 6 amps per phase