

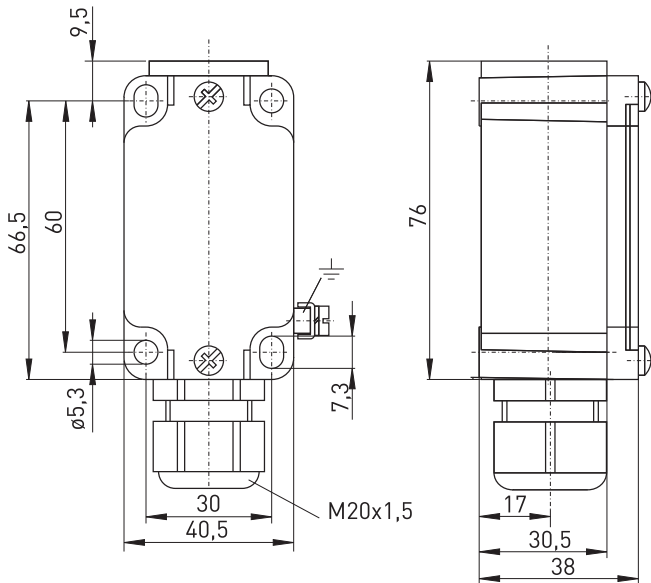
Ex position switches with safety function // EEX 335

Features/Options

- Ex zone 1 and 2, as well as 21 and 22
- Design according to DIN EN 50041
- Available with contact overlapping
- Wiring compartment
- Actuator heads can be repositioned in 4 x 90° steps

- Angle of offset roller lever can be adjusted in 10° steps
- Special version only for equipment category 3D, available for dust Ex zone 22
- With gold-plated contacts available on request
- Gost approval for Russia to be ordered separately

Dimensions



Technical data

Standards	IEC/EN 60947-5-1; EN 1088; EN 50014; EN 50018; EN 50019; zinc die-cast, enamel finish
Enclosure	zinc die-cast, enamel finish
Switch insert	Ex 95
Protection class	IP 65 according to EN 60529
Contact material	silver
Switching system	slow action, positive break NC contact ⊖
Switching elements	change-over contact with double break Zb or 2 NC contacts, galvanically separated contact bridges
Connection	M3 screw terminals
B_{10d}(10% Load)	2 million
M	10 years
Cable section	max. 1.5 mm ² (incl. conductor ferrules)
Cable length	-
U_{imp}	4 kV
U_i	250 V
I_{the}	6 A
I_e/U_e	6 A/400 VAC; 0.25 A/230 VDC
Utilisation category	AC-15, DC-13
Max. fuse rating	6 A gL/gG D-fuse
Ambient temperature	-20 °C ... +60 °C
Mechanical life	> 1 million operations
Switching frequency	1800/h
Repeat accuracy	±0.1 mm
Contact gap	max. 2 x 3.5 mm
Ex certification	Ⓔ II 2G EEx de IIC T6, II 2D IP65 T80°C
Approvals	DMT 01 ATEX E 178 Ⓟ Ⓜ

Errata and technical changes reserved.