



GE
Lighting



Biax™ T/E LongLast™ 4-pin
with Amalgam, External
Starter Req.

F32TBX/SPX41/840/A/4P

94523

Product information

Ultra compact energy saving CFL lamps with triple-tube design give an ideal light source for small fixtures and downlighters. Biax™ T lamps allow more compact fixture designs with the same lumen output as Biax™ D lamps. They can also be used to deliver higher lumen output from existing designs. The Biax™ T & T/E lamps are electrically interchangeable with Biax™ D and D/E lamps. They are available in 13, 18, 26, 32 and 42W. Light output ranges between 900 and 3200 lumens. Biax™ T/E lamps with a 4-pin electrical connection and without an internal starter are designed for high-frequency electronic ballasts. The use of separate electronic ballasts makes them suitable for almost every kind of energy supply: high and low voltages, accumulators, batteries, solar cells and systems that can be dimmed.

Triple biaxial tubes



Product data

Cap/Base	GX24q-3
Bulb Shape	Hex plug-in
Bulb maximum overall diameter [mm]	49.3
Net weight per piece [g]	88
Gross weight per piece [g]	125
Operating position	U - Universal
UV radiance	exempt
Brand	General Electric (GE)
Energy efficiency class (EEC)	A

Performance data

Colour Code	840
Colour Rendering Index (CRI) [Ra]	82
Nominal correlated colour temperature (CCT) [K]	4000
Nominal lumens [lm]	2400
Rated Life [h]	12000
Rated median life on electronic (HF) ballast on IEC 12-hour cycle	20000
Rated median life on electronic (HF) ballast on IEC 3-hour cycle	17000
Nominal power [W]	32
Weighted energy consumption [kWh/1000h]	35.2
Nominal lamp voltage [V]	100

Electrical data

Operating Temperature (MIN) [°C]	-15
Starting ambient temperature range	-15
Dimming Capability	Yes

Logistic data

DUN Code	10043168945230
EAN Code	0043168945233
Pack Quantity	10
Inner pack type	BOX
Outer pack type	OUTER BOX
Layer quantity	320 EUR, 410 UK
Layer quantity EUR	320
Layer quantity UK	410
Pallet quantity EUR (PC)	1920
Pallet quantity UK (PC)	2460
Outer case size	262 x 108 x 166 (mm)
Product status	Available

Application areas

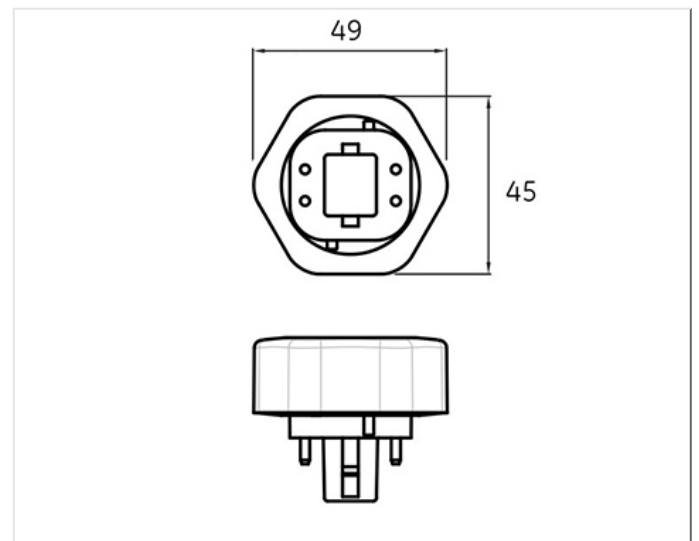
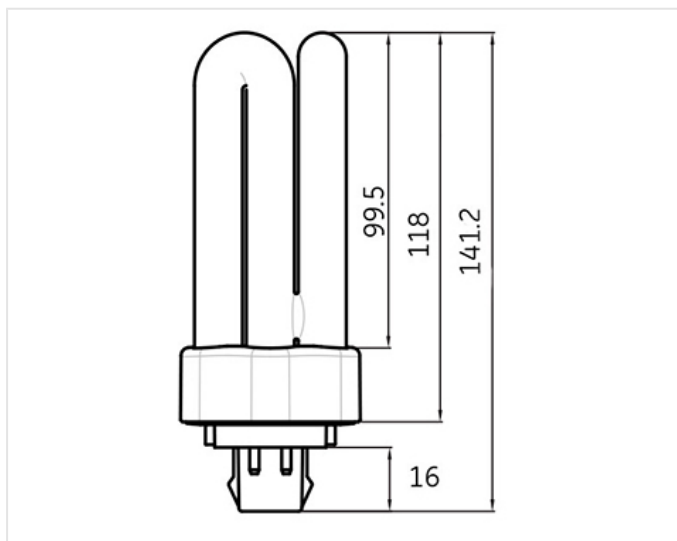


Office

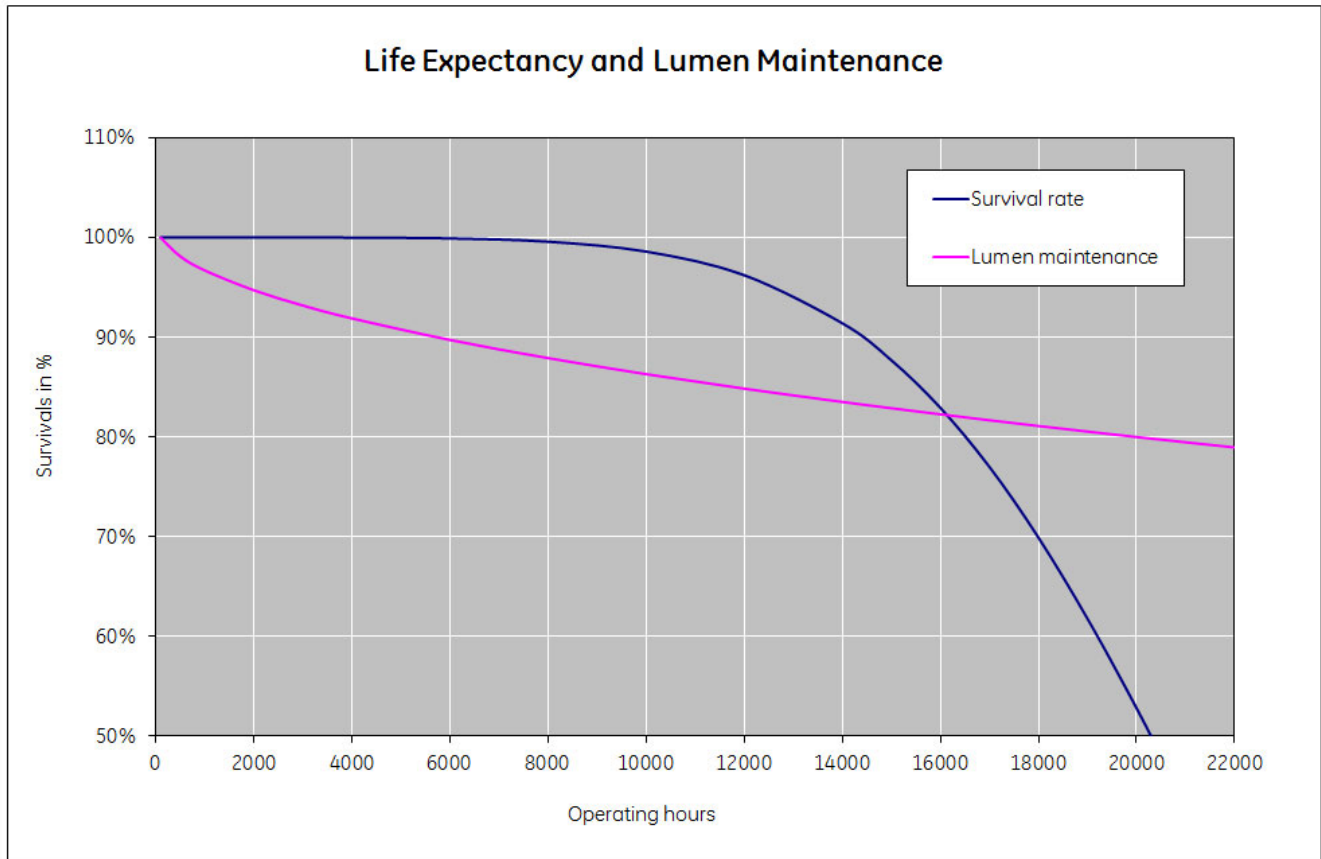


Industrial

Technical drawing



Survival Data



Downloads & Links

[Go to the catalog site \(HTTP\)](#)

[CFL Non-Integrated Spectrum Catalogue \(PDF\)](#)

[Biax™ T and T/E Data sheet \(PDF\)](#)

[Lighting design tools & calculators \(HTTP\)](#)

[Disposing and Cleaning of CFL Lamps \(HTTP\)](#)