

Description



- Digital time switch with weekly program
- 1 channel
- Text-oriented user guidance in display
 - Preset date and time
 - fully operable without mains connection
- 42 memory locations
- 10 year power reserve (lithium battery)
- ON-OFF switching times
- Pulse program
- Cycle program
- Switching preselection
- Permanent switching ON/OFF
- Holiday program
- Random program
- PIN coding
- Automatic summer/winter time changeover
 - can be deactivated
 - Date rule options are already stored for Europe, the USA and other countries
 - own changeover rule option

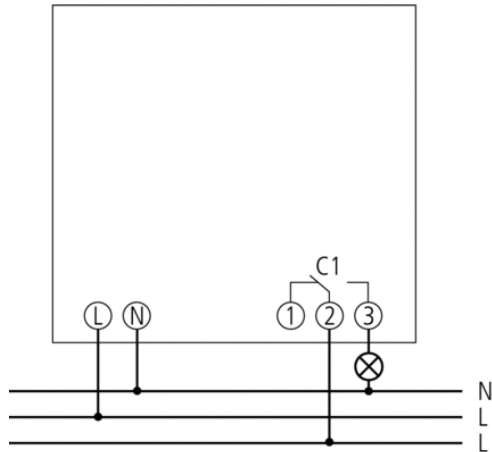
Technical data

Operating voltage	230 V AC
Frequency	50 – 60 Hz
Installation type	Flush-mounted wall installation
Type of contact	Changeover contact
Switching output	Potential-free and phase-independent
Opening width	< 3 mm (μ)
Program	Weekly program
Program functions	ON-OFF, Pulse, Cycle
Number of channels	1
Number of memory locations	42
Power reserve	10 years
Switching capacity at 250 V AC, cos φ = 1	10 A
Switching capacity at 250 V AC, cos φ = 0,6	10 A
Incandescent/halogen lamp load 230 V	2300 W
Energy saving lamps 230 V	9 x 7 W, 7 x 11 W, 7 x 15 W, 7 x 20 W, 7 x 23 W
Fluorescent lamp load (conventional) not corrected	1000 VA
Fluorescent lamp load (conventional) series-corrected	1000 VA
Fluorescent lamp load (conventional) parallel-corrected	400 VA, 42 μF
Shortest switching times	1 s
Time accuracy	≤ ± 1 s/day (quartz)
Time basis	Quartz
Stand-by consumption	0,6 W
Memory card supplied	–

Article number: 0300002

Type of connection	Screw terminals
Keyboards	4 touch buttons, 1 reset button
Housing and insulation material	High-temperature resistant, self-extinguishing thermoplastic
Type of protection	IP 20
Protection class	II as per EN 60 730-1
Ambient temperature	-10 °C ... +35 °C

Connection example



Scale drawings

