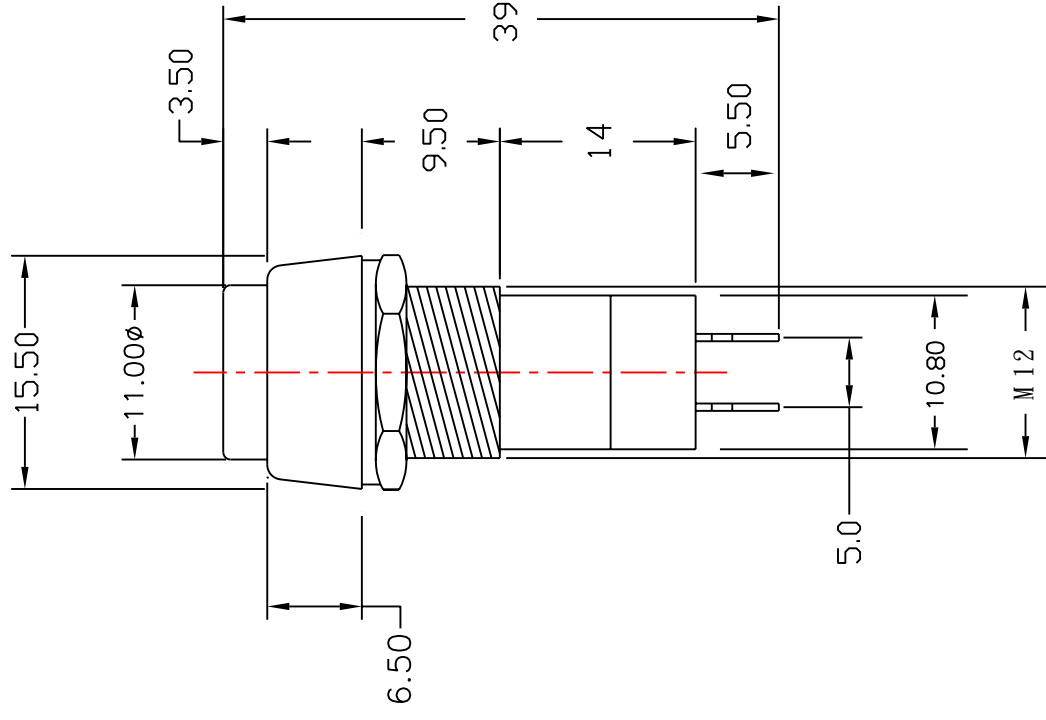
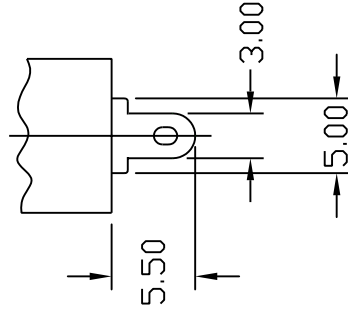
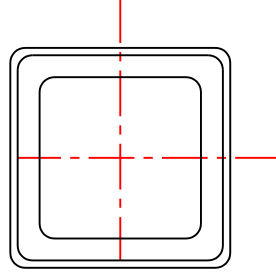




**RATING : 3A , 125/250 VAC**  
**DIELECTRIC STRENGTH : 1000 VAC 1 minute**  
**CONTACT RESISTANCE : 20mΩ (max)**  
**INSULATION RESISTANCE :**  
**100 MΩ min (at 500 VDC)**  
**MECHANICAL LIFE : 10,000 (min)**  
**PUSH FORCE : >0.3kg**

**MATERIAL :**  
**BUTTON : NYLON**  
**BODY : ABS**  
**TERMINAL : COPPER, ALLOY SILVER PLATED**  
**CONTACT : SILVER PLATED**  
**WASHER NUT : COPPER, NICKEL PLATED**  
**SPRING : STAINLESS STEEL**

**REMARKS : PBS-001A-**  
**1 : CREAM**  
**2 : BLACK**  
**3 : RED**



REV.	DESCRIPTION	APPROVED BY	DATE	ECN NO.
A	RELEASE	KUNG	16/03/09*	
B				
C				

DRAWN	APP'D	TITLE	SHEET
CHK'D		PUSH BUTTON SWITCH , OFF-ON TYPE, RED/BLACK/CREAM	1
		PART NO. PBS-001A- <input type="checkbox"/>	VERSION A
		DWG.	

**Lum UK**

TOLERANCE
x ±0.20
xx ±0.10
xxx ±0.05
xxxx ±0.03
ANGULA ±1°

UNIT
mm

SCALE
1:1