

**NEW!**  
**CLOSE FOCUS**  
 6 mm Spot Size  
 at  
 300 mm Distance

# Raynger® MX

## The Professional's Solution to Measure Temperature

The new Raynger MX family of handheld, infrared thermometers takes noncontact temperature measurement into the future. Designed for ease-of-use, unmatched performance, and featuring new laser technology, the MX is the professional's tool of choice.

### Models and Features

The MX measures a temperature range of -30 to 900°C and features a unique 16-point laser sighting circle with a center aiming point that defines the area you are measuring. The graphical display automatically charts the last ten temperature points using maximum and minimum values to establish the range.

The MX2 is the standard model. Just point, shoot, and read.

The MX4 is the high-performance model that accepts K & J thermocouples, thermistor (NTC), power input, and allows for data output. Both the MX2 and the MX4 are available with Standard or Close Focus optics (6mm spot size at 300mm distance - see page 2 for more information).

The MX4+ package includes Windows®-compatible data management software, a thermocouple K probe, an RS232 computer cable, and a plug-in power supply. A useful table of 30 preset material emissivity listings is easily accessed on both the MX4 and MX4+. Simply scroll to locate the correct material.

### Software

With Raytek graphing software you can use your computer to organize, display, and print temperature and time data. The software includes the ability to store up to 10,000 data points; continuous or manual single-point recording; programmable time intervals; temperature scales and limits; built-in material table of emissivity values; customizable log locations; and displays both contact and infrared temperatures.

### Applications

Check for hot spots:

- in electrical panels
- circuit breakers
- generators and gearboxes

Monitor:

- supply and return registers
- air stratification
- duct leakage

Monitor temperatures:

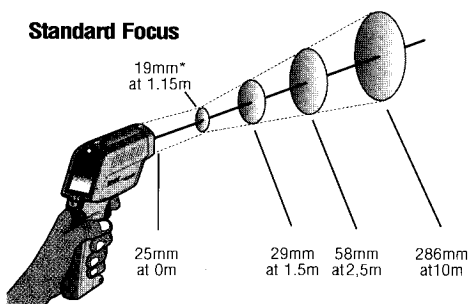
- of petrol and diesel engine cylinders
- railroad axles
- bearings

# Raynger MX - Technical Data

Features	MX2	MX4	MX4+
MAX and MIN temperature	X	X	X
DIF and AVG temperature		X	X
Audible/visible LO-Alarm		X	X
Audible/visible HI-Alarm	X	X	X
Circular laser spot (laser IEC Class 2)	X	X	X
Adjustable emissivity	X	X	X
On-board emissivity table		X	X
Graphical display	X	X	X
Internal data logger (100 locations)		X	X
Data output: RS232 or 1 mV per °C		X	X
Windows-compatible software			X
Power supply (110 or 220V)			X
RS232 computer cable, 1.5 m			X
K thermocouple probe			X

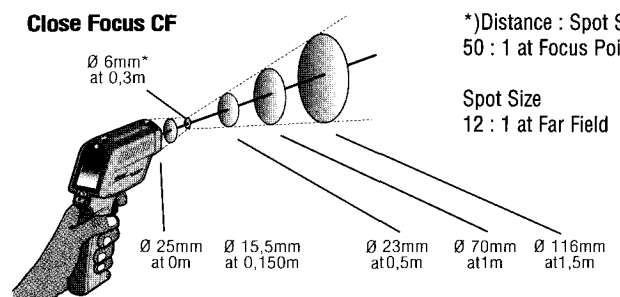
Specifications	
Temperature range	-30 ... 900°C
Accuracy	±1% of reading or ±1°C, whichever is greater (100 ... 900°C: 1%; 0 ... 99°C: ±1°C; -30 ... 0°C: ±2°C)
Repeatability	±0.5% of reading or ±1°C, whichever is greater
Response time	(95%) 250 ms
Spectral response	8 - 14 µm
Display resolution	0.1°C
Ambient operating range	0 ... 50°C (laser max. 45°C)
Relative humidity	10 ... 95% at 30°C, non condensing
Storage temperature	-20 ... 50°C (without batteries)
Power	2 x 1.5 batteries, Type R6, (AA), DC power input for MX4 and MX4+
Dimensions	200 x 170 x 50 mm
Weight	480 g

## Distance to Spot Size



\*)Distance : Spot Size  
60 : 1 at Focus Point

Spot Size  
35 : 1 at Far Field



\*)Distance : Spot Size  
50 : 1 at Focus Point

Spot Size  
12 : 1 at Far Field

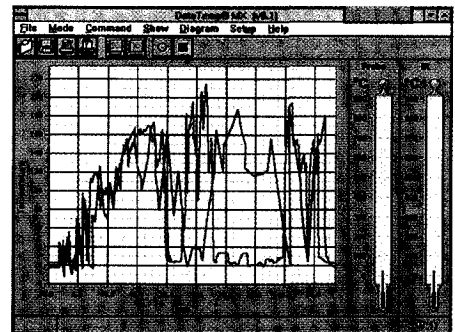
## Options and Accessories



- Windows-based Data Graphing Software\*
- Thermocouple K Probe\*
- RS232 Computer Cable\*
- Plug-in Power Supply (110 or 220V)\*
- Thermistor (NTC) Probe
- Portable Thermal Printer
- Calibration Certification
- Soft Pouch

\*Standard with Raynger MX4+

## Software



- Remote control for the MX4
- Data management
- Allows for data output for other Windows-Applications
- Individual adjustments for special applications
- Pre-adjustments for the printer's output



**Worldwide Headquarters:** Raytek Corporation  
1201 Shaffer Road, PO Box 1820  
Santa Cruz, CA 95061  
Tel: +1 831 458 1110  
Fax: +1 831 425 4561  
www.raytek.com

**France:**  
Raytek France  
5 Avenue du 1er Mai  
Zae des glaises, 91120 Palaiseau  
Tel: +33 164 53 15 40  
Fax: +33 164 53 15 44

**European Headquarters:** Raytek GmbH  
Blankenburger Str. 135  
D-13127 Berlin  
Tel: +49 30 4 78 00 80  
Fax: +49 30 4 71 02 51

**United Kingdom:**  
Raytek U.K. Ltd  
P.O. Box 120, Milton Keynes  
Buckinghamshire, MK1 1ZU  
Tel: +44 1908 630800  
Fax: +44 1908 630900

**South American Headquarters:**  
Raytek do Brasil, Sorocaba  
Tel: +55 15 233 6338  
Fax: +55 15 233 6826

**Raytek Mexico, Puebla**  
Tel: +52 22 30 4380  
Fax: +52 22 30 4438

**Raytek Japan Inc., Tokyo**  
Tel: +81 3 3822 5715  
Fax: +81 3 3822 5712

**Raytek China Company, Beijing**  
Tel: +86 10 6437 0284  
Fax: +86 10 6437 0285

Specifications subject to change without notice  
Raytek, the Raytek logo, Raynger, and DataTemp are registered trademarks of Raytek Corporation.