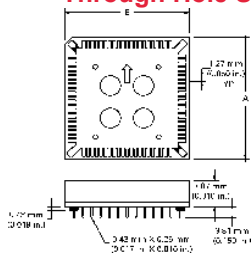


**54020-68030LF - PLCC :**  
**Through Hole Sockets**



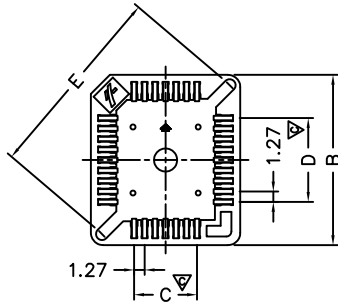
[www.fci.com](http://www.fci.com)

**Specifications**

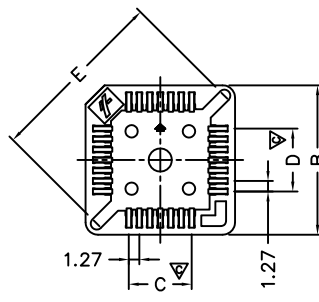
<b>General</b>	
Location Peg	No
Number of contacts	68
Product Style	PLCC
<b>Electrical</b>	
Current rating	1 amp
Resistance (Contact)	20 m ohms max.
Resistance (Insulation)	1000 M ohms min.
Voltage rating	250V AC max.
<b>Mechanical</b>	
Durability (Mating cycles)	25 Cycles
Insertion force	26 lbs max.
Withdrawal Force	4 lbs min.
<b>Mounting</b>	
Mounting style	Through Hole
<b>Physical</b>	
Color (Housing)	Brown
Material (Contact)	Copper Alloy
Material (Housing)	PPS, UL94V-0
Plating (Inner clip / Contact)	100μ" min. Pure Tin
Underplating (Contact)	50μ" min. Nickel
Temperature (Range)	-40°C to 105°C
<b>Approvals / Certifications</b>	
Approvals / Certifications	UL and CSA Pending
<b>Other Features</b>	
Packaging (Type)	Tube



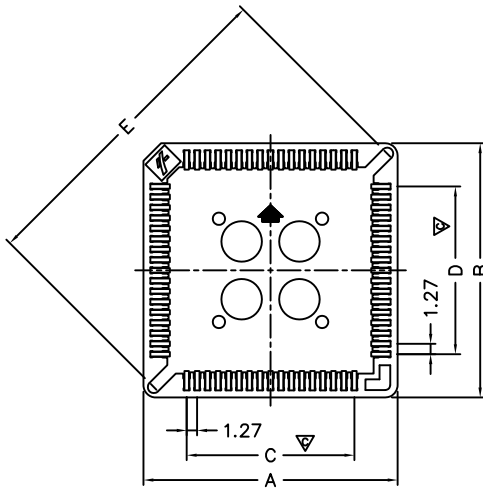
Copyright FCI.



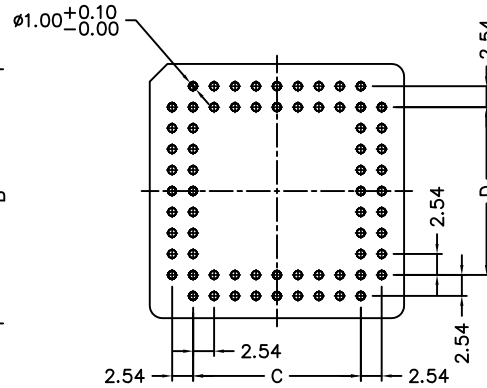
ABOVE FOR 32 COUNTS ONLY



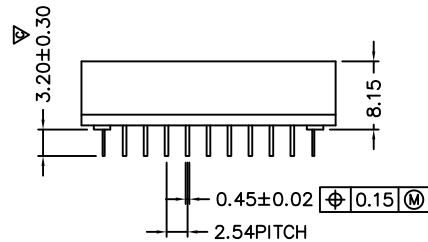
ABOVE FOR 20, 28 COUNTS



ABOVE FOR 44, 68 AND 84 COUNTS



(RECOMMENDED PCB LAYOUT)



NOTES:

1 MATERIAL:

HOUSING: PPS UL94 V-0, Brown.  
CONTACT: Copper Alloy.

2 FINISH:

CONTACT: 100  $\mu$ m Min. Pure Tin or Tin/Lead plated on soldering end over 50  $\mu$ m Min. Nickel under-plating.

3 ORDER INFORMATION:

54020-XX 0 3 0 PT  
Series No. \_\_\_\_\_  
No. of Contacts: 20 28 32 44 52 68 84  
Contact plated: 0-Tin alloy plated.  
PT/LF: Pure Tin Plated.  
BLANK: Tin/Lead Plated  
Post/Packaging: 0-Without Post/In tube package.  
Housing Material/Color: 3-PPS/Brown.

4 SPECIFICATION:

Current Rating: 1A Max.  
Voltage Rating: 250V AC Max.  
Dielectric Strength: 600V AC RMS for 1 minute.  
Contact Resistance: 20 m $\Omega$  MAX.  
Insulator Resistance: 1000M $\Omega$  min. at 500V DC.  
Temperature: -40°C to +105°C  
Durability: 25 Cycles.

5 PRODUCT SPECIFICATION: GES-12-054.

6 MANUFACTURING PROCESS COMPATIBILITY

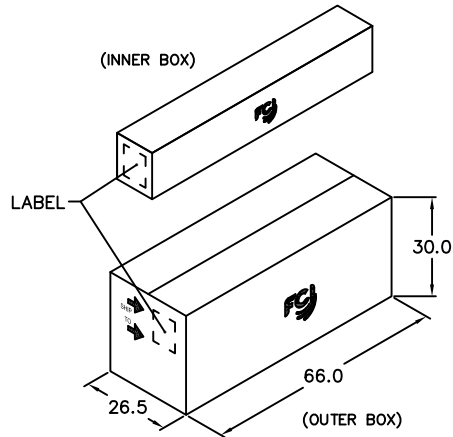
The housing will withstand exposure to 245°C solder bath temperature for 5 second in a wave solder application.

A/P PART NO.	Dimension(mm)					MCK PART NO.
	A $\pm 0.2$	B $\pm 0.2$	C $\pm 0.1$	D $\pm 0.1$	E $\pm 0.2$	
54020-20030	15.56	15.56	5.08	5.08	18.20	PLCC-20P-T
54020-28030	18.10	18.10	7.62	7.62	21.80	PLCC-28P-T
54020-32030	17.80	20.20	7.62	10.16	23.85	PLCC-32P-T
54020-44030	23.18	23.18	12.70	12.70	29.00	PLCC-44P-T
54020-52030	26.90	26.90	15.24	15.24	33.00	PLCC-52P-T
54020-68030	30.88	30.88	20.32	20.32	40.00	PLCC-68P-T-2
54020-84030	35.98	35.98	25.40	25.40	47.15	PLCC-84P-T-2

rev	ecn no	dr	date
C	T03-0440	JH	10/03/03
D	T05-0017	JH	1/24/05
E	T05-0114	JH	5/9/05
F	T05-0212	JH	9/21/05
G	T10-0010	JH	1/25/10
H	T11-0002	JH	1/11/11
J	T11-0018	JH	3/25/11

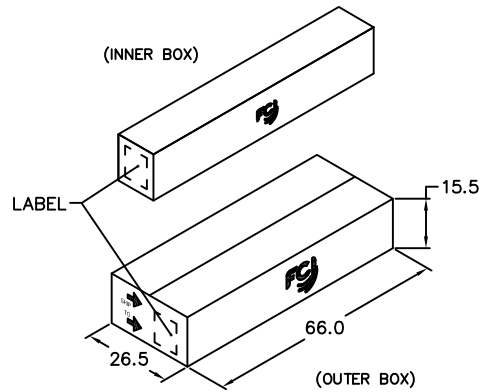
www.fciconnect.com			surface <input checked="" type="checkbox"/>	tolerance std	projection <input checked="" type="checkbox"/>	MM
			TOLERANCES UNLESS OTHERWISE SPECIFIED			
Dr	Jason Hsu	1/11/11	ANGULAR	0.X	$\pm 0.25$	size A4
Eng	Jason Hsu	1/11/11	LINEAR	0.XX	$\pm 0.15$	Scale N/A
Chr	Gary Hsieh	1/11/11	0° $\pm 5^\circ$	0.XXX	$\pm 0.10$	ECN T11-0018
Appr	Joseph Hsia	1/11/11	Product family		Spec ref	
			title PLCC DIP Socket		chg no 54020	Rev. J
			catalog no		CUSTOMER	sheet 1 of 2

< PACKING FOR 44P >



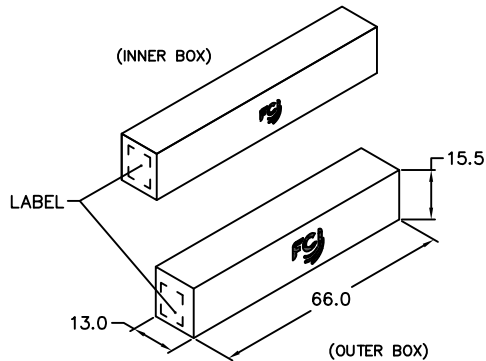
UNIT: CM

< PACKING FOR 28P,32P & 52P >



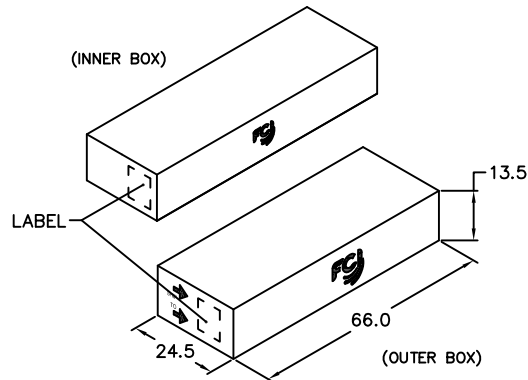
UNIT: CM

< PACKING FOR 20P >



UNIT: CM

< PACKING FOR 68P & 84P >



UNIT: CM

DIP PLCC PACKING LIST FOR TUBE=612mm

CONTACTS	PCS/TUBE	TUBE/INNER BOX	PCS/INNER BOX	INNER BOX / OUTER BOX	PCS/ OUTER BOX	N.W.(KGS)	G.W.(KGS)
20P	37	49	1813	1	1813	3.6	5.1
28P	32	42	1344	2	2688	7.0	10.5
32P	28	42	1176	2	2352	6.5	9.9
44P	25	35	875	4	3500	13.4	20.9
52P	21	32	672	2	1344	6.8	10.8
68P	18	42	756	1	756	4.4	7.8
84P	16	39	624	1	624	4.6	8.0

REV F - 2006-04-17



Copyright FCI.

D

www.fciconnect.com			surface <input checked="" type="checkbox"/>	tolerance std	projection	MM
			TOLERANCES UNLESS OTHERWISE SPECIFIED			
Dr	Jason Hsu	1/11/11	ANGULAR	0.X ± 0.25	size	A4
Eng	Jason Hsu	1/11/11	LINEAR	0.XX ± 0.15	Scale	N/A
Chr	Gary Hsieh	1/11/11	0° ± 5°	0.XXX ± 0.10	ECN	T11-0018
Appr	Joseph Hsia	1/11/11	Product family		Spec ref	
	title PLCC DIP Socket			dwg no	54020	Rev. J
catalog no			-		CUSTOMER	sheet 2 of 2