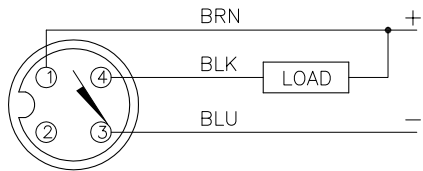


WIRING DIAGRAM

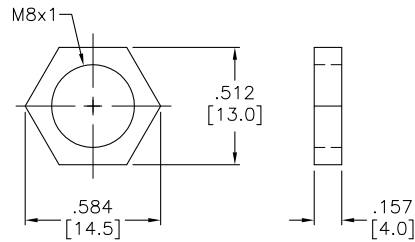
LOCKNUT LN-M8

SPECIFICATIONS

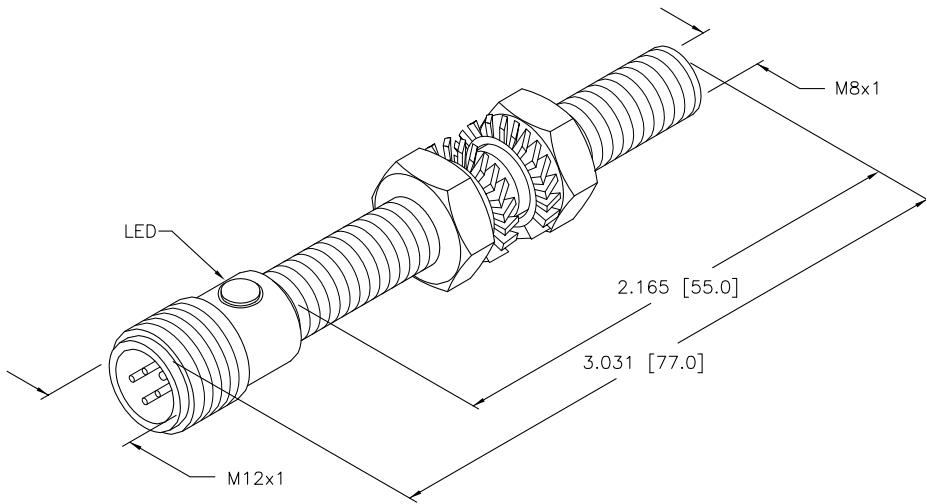


OUTPUT: AN7X

WARNING: NO SHORT-CIRCUIT PROTECTION
ALWAYS WIRE A LOAD IN SERIES WITH THE SENSOR.



OPERATING VOLTAGE	10-30 VDC
RIPPLE	≤ 10%
DIFFERENTIAL TRAVEL (HYSTERESIS)	1-15% (5% TYPICAL)
VOLTAGE DROP ACROSS CONDUCTING SENSOR	≤ 0.7V AT 150 mA (0.3V TYPICAL)
OUTPUT FUNCTION	COMPLEMENTARY OUTPUT, ONE NORMALLY OPEN, ONE NORMALLY CLOSED
TTL COMPATIBLE	YES
SHORT-CIRCUIT PROTECTED	NO
CONTINUOUS LOAD CURRENT	≤ 150 mA
LEAKAGE (OFF-STATE) CURRENT	< 10 μA
NO-LOAD CURRENT	5.5-9.5 mA
TIME DELAY BEFORE AVAILABILITY	≤ 8 ms
POWER-ON EFFECT PROTECTION	INCORPORATED
REVERSE POLARITY PROTECTION	PER IEC 947-5-2
WIRE-BREAK PROTECTION	INCORPORATED
PROTECTION AGAINST TRANSIENTS	PER IEC 947-5-2
OPERATING TEMPERATURE	-25°C to +70°C (-13°F to +158°F)
ENCLOSURE	MEETS NEMA 1, 3, 4, 6, 13 AND IEC IP67
SHOCK	30 g, 11 ms
VIBRATION	55 Hz, 1 mm AMPLITUDE (IN ALL 3 PLANES)
LED FUNCTION	RED: OUTPUT ENERGIZED
RATED OPERATING DISTANCE(S _n)	1.5 mm = .059" (NOMINAL)
SWITCHING FREQUENCY	2000 Hz
REPEATABILITY	≤ 2% of RATED OPERATING DISTANCE
SHIELDED	YES
MATING PLUGS/CABLES	4-PIN "EUROFAST" CONSTRUCTION



SOURCE DRAWING - FOR REFERENCE ONLY

NOTE: ALL TOLERANCES +/- 1.0mm

RELATED DOCUMENTS		3RD ANGLE PROJECTION		THIS DRAWING IS PROPERTY OF TURCK INC. USE OF THIS DOCUMENT WITHOUT WRITTEN PERMISSION IS PROHIBITED.		TURCK INC High Technology Sensors and Automation Controls 3000 CAMPUS DRIVE MINNEAPOLIS, MN 55441 1-800-544-7769 (763) 553-7300 (763) 553-0708 fax turck.com	
1.			DRFT	CBM	DATE	04/20/99	DESCRIPTION BI 1.5-G08-AN7X-H1341
2.			DSGN		SCALE	1=1.0	
3.		ALL DIMENSIONS DISPLAYED ON THIS DRAWING ARE FOR REFERENCE ONLY CONTACT TURCK FOR MORE INFORMATION	UNIT OF MEASUREMENT		IDENTIFICATION NO.		REV
4.			INCH [MILLIMETER]		S4701126		A
MATERIAL BRASS BARREL		M12x1		DO NOT SCALE THIS DRAWING		FILE: S4701126	
FINISH COPER/NICKEL/ CHROME PLATING		M8x1		SHEET 1 OF 1			

A	DRAWING RELEASE	CBM	04/21/99	
REV	DESCRIPTION	BY	DATE	ECO NO.