


Ordering number C12226
Description 1

Family Strada-Forward
 Type Lens
 LED MX-6
 Color Clear
 Diameter 19.6+15.5 mm
 Height 11.2 mm
 Style Rectang
 Optic Material PMMA
 Holder Material -
 Fastening -
 Status Ready

FWHM Asym degrees
 Efficiency 92 %
 cd/lm -
 Gerber File Available

http://www.ledil.fi/Strada-F_Fully_Asymmetrical_Forward_Thro

Ordering number CA12238
Description 1

Family Strada-Forward
 Type Assembly
 LED MX-6
 Color Clear
 Diameter 19.6+15.5 mm
 Height 11.35 mm
 Style Rectang
 Optic Material PMMA
 Holder Material -
 Fastening -
 Status Ready

FWHM Asym degrees
 Efficiency 92 %
 cd/lm -
 Gerber File Available

http://www.ledil.fi/Strada-F_Fully_Asymmetrical_Forward_Thro



PRODUCT DATASHEET

Strada-Forward series

last update 28/2/2013

NOTE: The typical divergence will be changed by different color, chip size and chip position tolerance. The typical total divergence is the full angle measured where the luminous intensity is half of the peak value.

D

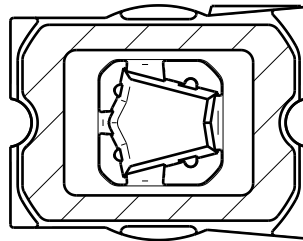
C

B

A

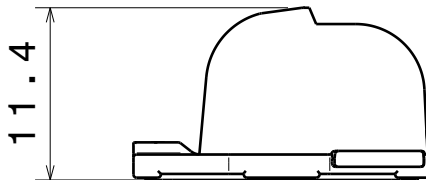
4

4



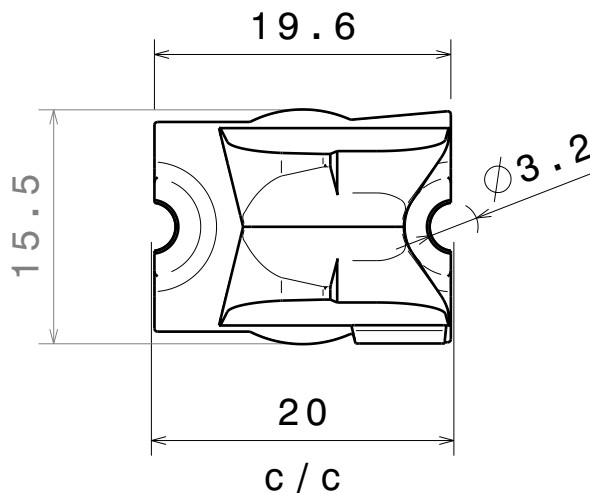
3

3



2

2



Top view
Scale: 2:1

MATERIALS
Lens: PMMA
tape: Pu foam with PSA

This drawing is our property.
It can't be reproduced
or communicated without
our written agreement.



Ledil Oy
Salorankatu 10
24240 SALO
Finland

DRAWING TITLE

Datasheet Strada-FW-N83 assy

DRAWN BY
pv

DATE
23.8.2011

CHECKED BY
ah

DATE
22.8.2011

SIZE
A4

DRAWING NUMBER

CA12238

REV
1

DESIGNED BY
hh

DATE
22.8.2011

SCALE

2:1

WEIGHT (g)

SHEET

1/1

D

A

1

1