

FEATURES

- Compact design for the control of single-acting actuators or filling and draining cycles
- Wide range of flow and pressure ratings
- Quick disassembly of core tube for easy maintenance of internal parts
- Standard disc seal made of FPM suitable for a wide range of operating temperatures and compatible with many fluids
- Standard manual operator allows an easy installation
- AC/DC interchangeability of the solenoid without disassembly of the valve
- Compliance with UL and CSA standards
- Compact and low weight valve
- The solenoid valves satisfy all relevant EC Directives

GENERAL

Differential pressure See "SPECIFICATIONS" [1 bar = 100 kPa]
Maximum viscosity 40 cSt (mm²/s)
Response time 5 - 10 ms

fluids (*)	temperature range (TS)	seal materials (*)
air, inert gas, water, oil	- 10°C to + 100°C	FPM (fluoroelastomer)

MATERIALS IN CONTACT WITH FLUID

(*) Ensure that the compatibility of the fluids in contact with the materials is verified

	Brass body	Stainless steel body
Body	Brass	AISI 316
Core tube	Stainless steel	Stainless steel
Core and plugnut	Stainless steel	Stainless steel
Springs	Stainless steel	Stainless steel
Seat	Brass	Stainless steel
Seals	FPM	FPM
Disc	FPM	FPM
Shading coil	Copper	Copper

ELECTRICAL CHARACTERISTICS

Coil insulation class F
Connector Spade plug (cable Ø 6-7 mm)
Connector specification DIN 43650, 11 mm, industry standard B
Electrical safety IEC 335
Electrical enclosure protection Moulded IP65 (EN 60529)
Standard voltages DC (=) : 24V - 48V
 (Other voltages and 60 Hz on request) AC (~) : 24V - 48V - 115V - 230V / 50 Hz

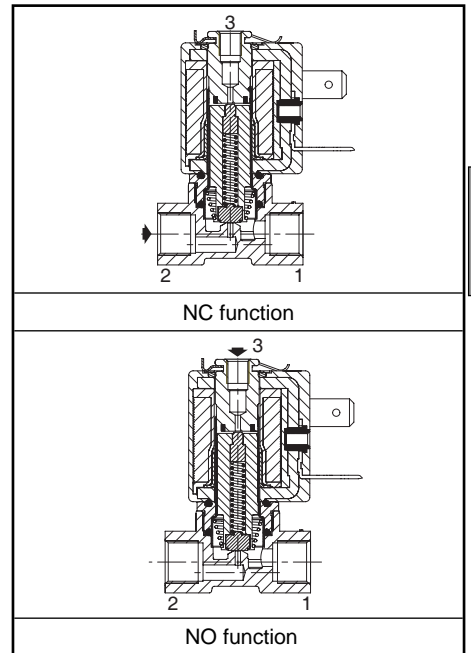
prefix option	power ratings				operator ambient temperature range (TS) (C°)	replacement coil		type ⁽¹⁾
	inrush ~	holding ~	hot/cold =			~	=	
	(VA)	(VA)	(W)	(W)		230 V/50 Hz	24 V DC	
SC	12	6	4	4,5 / 5,5	-10 to + 60	43005429	43005413	01

⁽¹⁾ Refer to the dimensional drawings on the following page.

SPECIFICATIONS

pipe size	orifice size	flow coefficient Kv				min.	operating pressure differential (bar)		power coil (W)		catalogue number		options	
		2 → 1		3 → 1			max. (PS)	air, water, oil (*)	~	=	brass	stainless steel	EPDM	
		(m ³ /h)	(l/min)	(m ³ /h)	(l/min)									
G	(mm)	(m ³ /h)	(l/min)	(m ³ /h)	(l/min)									
NC - Normally closed														
1/8 ⁽²⁾	1,2	0,05	0,8	0,05	0,8	0	15	15	4	5,5	SCG356A001VMS	SCG356A013VMS	E	- -
	1,6	0,08	1,33	0,05	0,8	0	10	10	4	5,5	SCG356A002VMS	SCG356A014VMS	E	- -
	2,0	0,1	1,66	0,05	0,8	0	5	5	4	5,5	SCG356A003VMS	SCG356A015VMS	E	- -
	2,4	0,13	2,1	0,05	0,8	0	4	4	4	5,5	SCG356A004VMS	SCG356A016VMS	E	- -
U - Universal														
1/8 ⁽²⁾	1,6	0,06	1	0,05	0,8	0	4,5	4,5	4	5,5	SCG356A010VMS	SCG356A022VMS	E	- -
	2,0	0,08	1,33	0,05	0,8	0	3	3	4	5,5	SCG356A011VMS	SCG356A023VMS	E	- -
	2,4	0,09	1,5	0,05	0,8	0	2	2	4	5,5	SCG356A012VMS	SCG356A024VMS	E	- -
NO - Normally open														
1/8 ⁽²⁾	1,6	0,096	1,6	0,05	0,8	0	8,5	8,5	4	5,5	SCG356A006VMS	SCG356A018VMS	E	- -

⁽²⁾ Pipe size port 3: M5 (Orifice size = 1,2 mm).



E

OPTIONS

- Valves can also be supplied with EPDM (ethylene-propylene) seals and disc. Use the appropriate optional suffix letter for identification
- PTFE on request
- Explosionproof enclosures for use in zones 1/21-2/22, categories 2-3 to ATEX Directive 94/9/EC (see "Explosionproof solenoids" section)
- Flying leads coil, use prefix L (e.g.: LG356A001VMS)
- Oxygen service with seals and disc in FPM, suffix NV, example: SCG356A001NVMS
- Solenoid valves integrated on manifold, orifice sizes 1,2 - 1,6 - 2 - 2,4 mm (See V591)
- Without manual operator, on request
- Other pipe connections are available on request
- Plug with visual indication and peak voltage suppression or with cable length of 2m (see Solenoids, Coils & Accessories section)

INSTALLATION

- The solenoid valves can be mounted in any position without affecting operation
- Solenoid valves have 2 mounting holes in body
- Pipe connection identifier is G = G (ISO 228/1)
- Installation/maintenance instructions are included with each valve

ORDERING EXAMPLES:

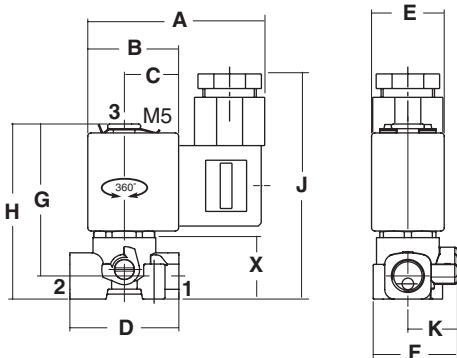
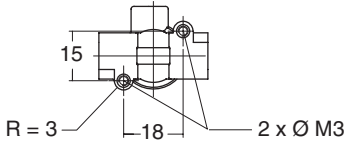
SC	G	356	A	001	VMS	230V / 50 Hz
SC	G	356	A	002	EMS	115V / 50 Hz
SC	G	356	A	014	NVMS	24V / DC
SC	G	356	A	006	VMS	230V / 50 Hz

prefix — SC
 pipe thread — G
 basic number — 356 A 006
 voltage — 230V / 50 Hz
 suffix — VMS

DIMENSIONS (mm), WEIGHT (kg)



TYPE 01
Prefix "SC" Solenoid
IEC 335 / DIN 43650
IP65



type	prefix option	body	A	B	C	D	E	F	G	H	J	K	X	weight ⁽¹⁾
01	SC	brass	58,5	27,5	16,5	33	22	25,5	46	53	69	15	18,6	0,156
		stainless steel												0,138

⁽¹⁾ including coil and connector.