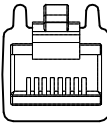
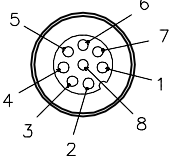
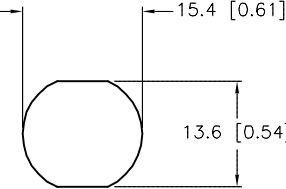
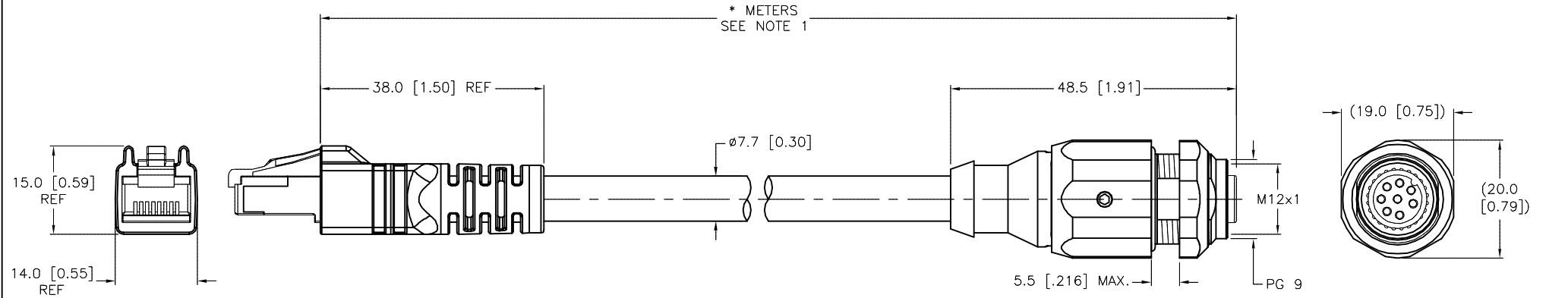


RJ45 END VIEW	FEMALE END VIEW	MOUNTING HOLE	SPECIFICATIONS	
 <p>12345678</p> <p>1 = WHITE/ORANGE (+TX) 2 = ORANGE (-TX) 3 = WHITE/GREEN (+RX) 4 = BLUE 5 = WHITE/BLUE 6 = GREEN (-RX) 7 = WHITE/BROWN 8 = BROWN</p> <p><i>Ethernet</i></p>	 <p>1 = WHITE/BLUE 2 = WHITE/BROWN 3 = BROWN 4 = ORANGE (-TX) 5 = WHITE/GREEN (+RX) 6 = WHITE/ORANGE (+TX) 7 = BLUE 8 = GREEN (-RX)</p> <p><i>EURO FAST Ethernet</i></p>	 <p>15.4 [0.61] 13.6 [0.54]</p>	CONTACT CARRIER MATERIAL (FKSDE) NYLON OR TPU MOLDED HEAD MATERIAL/COLOR (FKSDE) TPU/BLACK CONTACT MATERIAL/PLATING (FKSDE) BRASS/GOLD COUPLING NUT MATERIAL/PLATING (FKSDE) BRASS/NICKEL CONTACT CARRIER MATERIAL/COLOR (RJ45S) POLYCARBONATE/CLEAR MOLDED HEAD MATERIAL/COLOR (RJ45S) TPU/BLACK CONTACT MATERIAL/PLATING (RJ45S) BRONZE/GOLD RATED CURRENT [A] 1.5 A RATED VOLTAGE [V] 42 V OUTER CABLE JACKET MATERIAL/COLOR TPE/TEAL CONDUCTOR INSULATION MATERIAL HDPE NUMBER OF CONDUCTORS [AWG] 8x24 AWG, STRANDED, CAT 5e SHIELDING ALUM.-POLYESTER FOIL, TINNED COPPER BRAID TEMPERATURE RANGE -40°C to +80°C (-40°F to +176°F) PROTECTION CLASS (FKSDE) MEETS IEC IP67 (RJ45:IP20) MAX. PANEL THICKNESS 5.5mm [0.216"]	

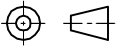


CABLE LENGTH	TOLERANCE*
ALL LENGTHS	+ 4% (OR 50mm) OF LENGTH - 0% (OR 0mm) OF LENGTH WHICHEVER IS GREATER
STRIP LENGTH	TOLERANCE*
0-7mm	±0.5mm
8-29mm	±1.0mm
30-49mm	±2.0mm
50-69mm	±3.0mm
70-100mm	±4.0mm
OVER 100mm	±5.0mm

* UNLESS OTHERWISE SPECIFIED

SOURCE DRAWING - FOR REFERENCE ONLY

NOTES:
1. "*" INDICATES CABLE LENGTH IN METERS. CONTACT TURCK TO ORDER SPECIFIC LENGTHS.

RELATED DOCUMENTS	3RD ANGLE PROJECTION	THIS DRAWING IS CONFIDENTIAL AND THE PROPERTY OF TURCK INC. USE OF THIS DOCUMENT WITHOUT WRITTEN PERMISSION IS PROHIBITED.		TURCK INC High Technology Sensors and Automation Controls 3000 CAMPUS DRIVE MINNEAPOLIS, MN 55441 1-800-544-7769 (763) 553-7300 (763) 553-0708 fax turck.com	
1.		DRFT	RDS	DATE	12/02/04
2.		APVD		SCALE	1=1.0
3.	ALL DIMENSIONS DISPLAYED ON THIS DRAWING ARE FOR REFERENCE ONLY	UNIT OF MEASUREMENT		DESCRIPTION	
4.		MILLIMETER [INCH]		RJ45S FKSDE 841-*M	
MATERIAL	CONTACT TURCK FOR MORE INFORMATION	IDENTIFICATION NO.		REV	
FINISH				J	
		DO NOT SCALE THIS DRAWING		FILE: 777006739	SHEET 1 OF 1

J	UPDATE CABLE SPECS	RDS	03/12/13	40289
REV	DESCRIPTION	BY	DATE	ECO NO.