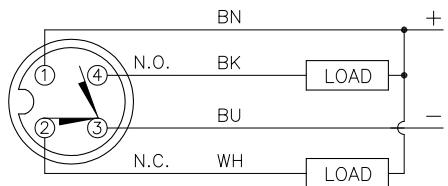
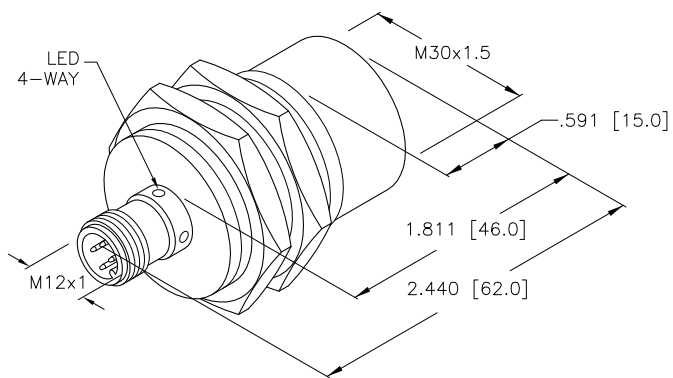


WIRING DIAGRAM



OUTPUT: VN4X

SHORT-CIRCUIT AND OVERLOAD PROTECTED



NOTE:

- MATERIALS:  
 BARREL - CHROME PLATED BRASS  
 LOCKNUTS - CHROME PLATED BRASS  
 CONNECTOR - CHROME PLATED BRASS  
 SENSING FACE - PA12-GF30 PLASTIC
- ALL DIMENSIONAL TOLERANCES ±1.0mm.

SPECIFICATIONS

OPERATING VOLTAGE	10-65 VDC
HYSTERESIS (DIFFERENTIAL TRAVEL)	3-15% (5% TYPICAL)
VOLTAGE DROP ACROSS CONDUCTING SENSOR	≤1.8 V at 200 mA
OUTPUT FUNCTION	COMPLEMENTARY OUTPUT ONE N.O., ONE N.C. (SPDT)
TTL COMPATIBLE	NO
SHORT-CIRCUIT PROTECTED	YES
TRIGGER CURRENT FOR OVERLOAD PROTECTION	≥ 220 mA
CONTINUOUS LOAD CURRENT	≤ 200 mA
OFF-STATE (LEAKAGE) CURRENT	<100 µA
NO-LOAD CURRENT	≤ 10 mA
TIME DELAY BEFORE AVAILABILITY	≤ 8 ms
POWER-ON EFFECT	Per IEC 947-5-2
REVERSE POLARITY PROTECTION	INCORPORATED
WIRE-BREAK PROTECTION	INCORPORATED
TRANSIENT PROTECTION	Per EN 60947-5-2
OPERATING TEMPERATURE	-25°C to +70°C (-13°F to +158°F)
ENCLOSURE	MEETS NEMA 1, 3, 4, 6, 13 AND IEC IP67
SHOCK	30 g, 11 ms
VIBRATION	55 Hz, 1 mm AMPLITUDE (IN ALL 3 PLANES)
LED FUNCTION	YELLOW: OUTPUT ENERGIZED
RATED OPERATING DISTANCE(Sn)	20 mm = .787" (NOMINAL)
SWITCHING FREQUENCY	500 Hz
REPEATABILITY	≤ 2% of RATED OPERATING DISTANCE
EMBEDDABLE (SHIELDED)	NO
TEMPERATURE DRIFT	<±15%
MATING PLUGS/CABLES	4-PIN "EUROFAST" CONSTRUCTION
LOCKNUT M30x1.5	36 mm AF, 41.5 mm AC, 5 mm THK

SOURCE DRAWING - FOR REFERENCE ONLY

RELATED DOCUMENTS		3RD ANGLE PROJECTION		THIS DRAWING IS PROPERTY OF TURCK INC. USE OF THIS DOCUMENT WITHOUT WRITTEN PERMISSION IS PROHIBITED.		 High Technology Sensors and Automation Controls		3000 CAMPUS DRIVE MINNEAPOLIS, MN 55441 1-800-544-7769 (763) 553-7300 (763) 553-0708 fax turck.com		
1. MATERIALS				DRFT IK		DATE 03/12/01		DESCRIPTION Ni20-M30-VN4X-H1141		
2. ALL DIMENSIONAL TOLERANCES ±1.0mm.				DSGN		SCALE 1=1.5				
MATERIAL SEE NOTE		ALL DIMENSIONS DISPLAYED ON THIS DRAWING ARE FOR REFERENCE ONLY  CONTACT TURCK FOR MORE INFORMATION		UNIT OF MEASUREMENT <b>INCH [ MILLIMETER ]</b>				IDENTIFICATION NO. T4590606		REV A
FINISH SEE NOTE				DO NOT SCALE THIS DRAWING				FILE: T4590606		SHEET 1 OF 1

A	DRAWING RELEASE	CBM	03/29/01	
REV	DESCRIPTION	BY	DATE	ECO NO.