

Cabinets – NOVASTAR



07011036

Light - slim - robust

The base frame, made in lightweight aluminium, is the basis for your individual NOVASTAR. And now you decide: small or large, in standard depth or with extended space for cabling and heat dissipation, whether as a stand-alone solution or stacked one on top of another and bolted together. The NOVASTAR platform concept leaves no wish neglected. And regardless of how you put your NOVASTAR together, the internal dimensions remain consistently compatible with 19" technology. Unwanted spaces in either height or width are now a thing of the past.

With a cabinet width of only 553 mm, NOVASTAR is the slimmest of all 19" cabinets. It has a slender, filigreed look, almost like a piece of designer furniture. This impression is further reinforced by the different finishes of the frame and cover trim and the plain, modern full-glass doors. Because of this, NOVASTAR is not only used in offices and laboratories but also in sound and TV studios. And indeed as a collector's item in the occasional home!



07011023

Simple fitting of side panel without tools



07011025

Door with 180° opening angle thanks to new hinge concept; can be mounted left or right



07011020



07011028

Extensive selection of castors



07011022

Heavy-Duty frame with lateral groove for mounting e.g. of carrier arm systems



07011007

NEW

The inNOVative 19" electronics cabinet

- Type of protection up to IP 40
- Bolted, die-cast frame with Al extrusions
- Cabinet width only 553 mm
- Static load-carrying capacity up to 400 kg
- Colours: RAL 7021 or colour combination RAL 7021/ RAL 7035

Dimensions 1.242

19" cabinet,
with glass door (smoke grey) and rear panel



07011010

19" cabinet,
door and rear panel combination freely selectable



07011013

- | | |
|--|--|
| <ul style="list-style-type: none"> ■ Height of Slim-Line 12 ... 20 U (load-carrying capacity 200 kg) ■ Height of Heavy-Duty 38 ... 43 U (load-carrying capacity 400 kg) ■ Depth 600, 800 mm | <ul style="list-style-type: none"> ■ Height of Slim-Line 9 ... 25 U (load-carrying capacity 200 kg) ■ Height of Heavy-Duty 34 ... 47 U (load-carrying capacity 400 kg) ■ Depth 500, 600, 800 mm ■ Door and rear panel can be equipped individually |
|--|--|

NOVASTAR
19" cabinet with smoke tinted glass door and rear panel 1.244
Selectable combination of 19" cabinet, door and rear panel .. 1.245

Accessories
Doors and cable ducting systems 1.245
Rear panels and cable ducting systems..... 1.248
Base plates 1.249
Castors 1.249
Bases/plinths ... 1.250
19" panel/slide mounts 1.251
Depth members . 1.251
Slide rails 1.252
Shelves 1.253
Support arm system 1.255
Slide nut 1.255

Standards/Approvals

- External and internal dimensions in accordance with IEC 60297-3-100
- Type of protection IP 40 in accordance with IEC 60529
- Earth connections in accordance with DIN EN 50178 / VDE 0160

ServicePLUS from page 1.256

- e.g. individual configuration and assembly
- e.g. modifications (cut-outs, special colours)
- e.g. custom solutions (cut-outs)
- e.g. variants of uprights (Slim-Line, Heavy-Duty)
- e.g. custom solutions (special sizes)



30407004

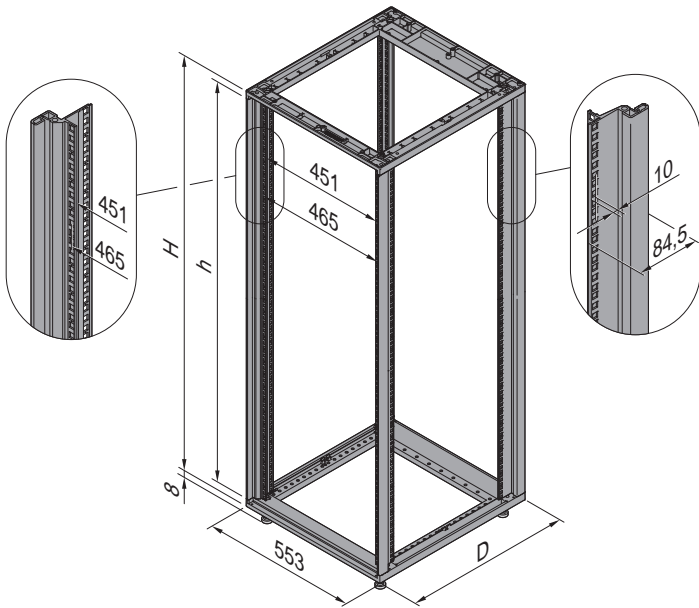
www.schrock.biz/ServicePLUS

ServicePLUS .. 1.256

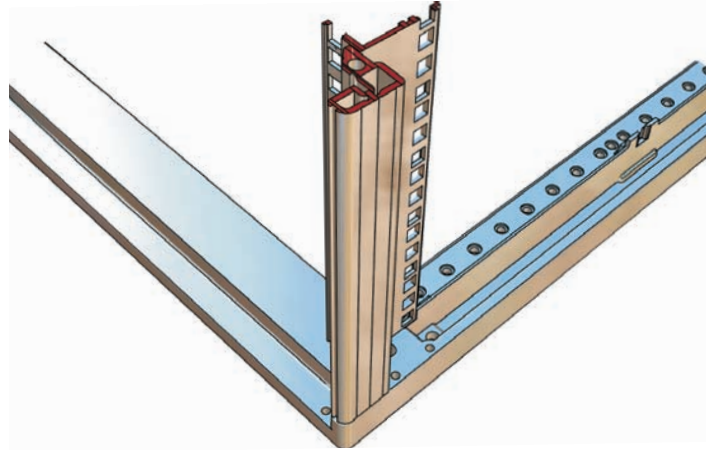
Cabinets - NOVASTAR

Dimension drawings Slim-Line frames

Frame

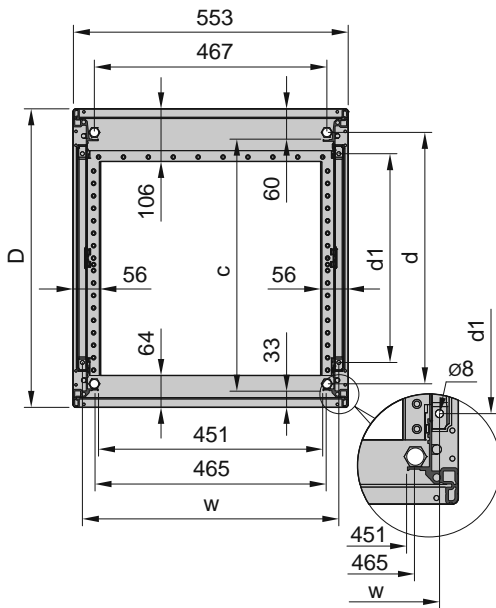


07011094



07011093

Frame (top view)



07011098

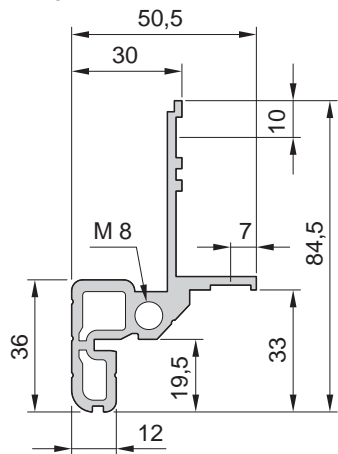
- Lightweight aluminium die-cast frame and lightweight vertical profile
- Static load-carrying capacity 200 kg, tested in accordance with IEC 61587-1

Frame dimensions

Cabinet height	H	h
U	mm	mm
6	357	268
9	456	401
12	589	535
16	767	713
20	945	890
25	1167	1112
34	1567	1513
38	1745	1690
43	1967	1913
47	2145	2090

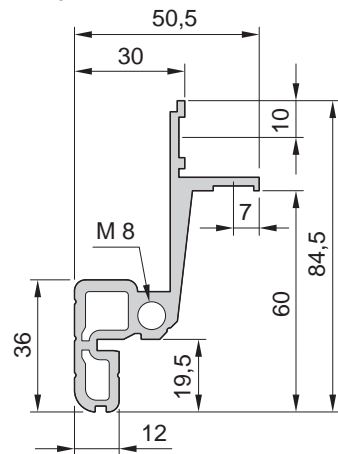
Foot height 8 mm

Upright at front



07011096

Upright at rear



07011097

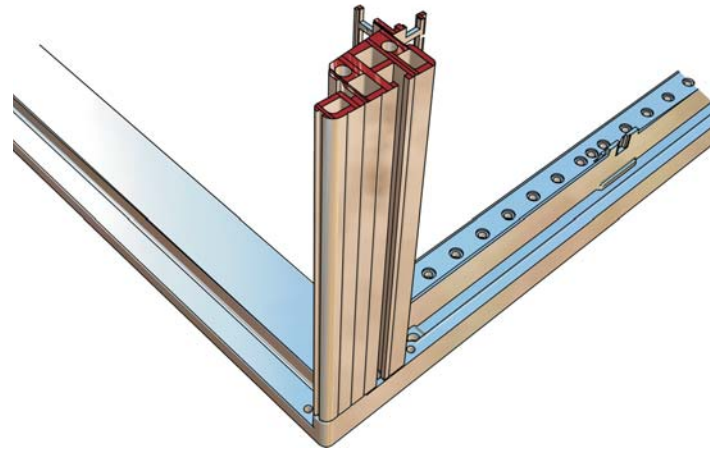
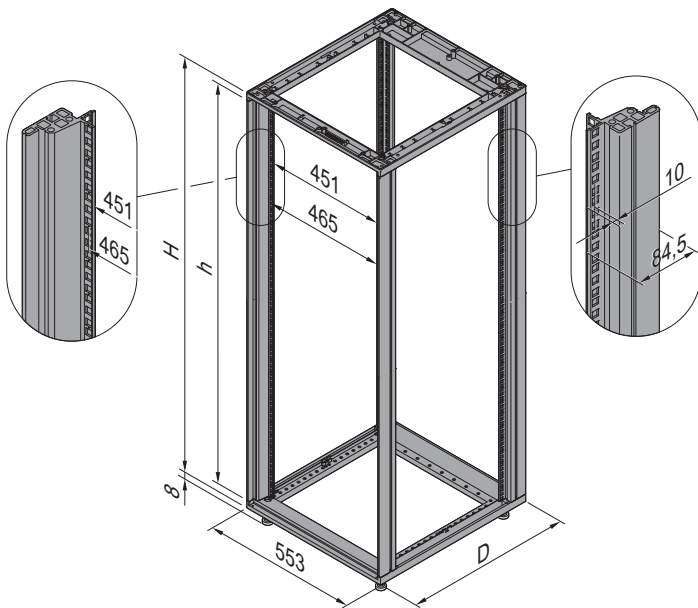
Frame dimensions

D	d	c	d1	w
Cabinet depth	Adjustable feet, castors, lifting eye, top cover fixing	19" to 19" plane	Floor mounting	
mm	mm	mm	mm	mm
500	405	407	319	515
600	505	507	419	515
800	705	707	619	515

Cabinets - NOVASTAR

Dimension drawings Heavy-Duty frames

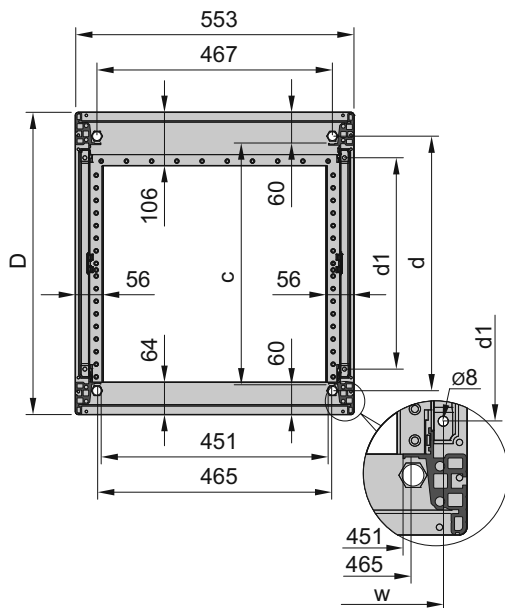
Frame



07011095

07011092

Frame (top view)



- Light aluminium die-cast frame and robust vertical profile
- Static load-carrying capacity 400 kg, tested in accordance with IEC 61587-1
- Lateral groove for mounting accessories

Frame dimensions

Cabinet height	H	h
U	mm	mm
16	767	713
20	945	890
25	1167	1112
34	1567	1513
38	1745	1690
43	1967	1913
47	2145	2090

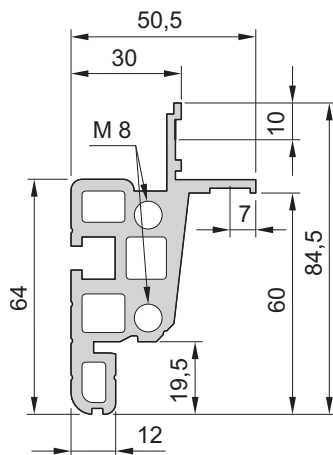
Foot height 8 mm

07011100

Frame dimensions

D	d	c	d1	w
Cabinet depth	Adjustable feet, castors, lifting eye, top cover fixing	19" to 19" plane	Floor mounting	
mm	mm	mm	mm	mm
500	405	380	319	515
600	505	480	419	515
800	705	680	619	515

Upright front/rear



07011099

Cabinets – NOVASTAR

19" cabinet with glass door (smoke grey) and rear panel

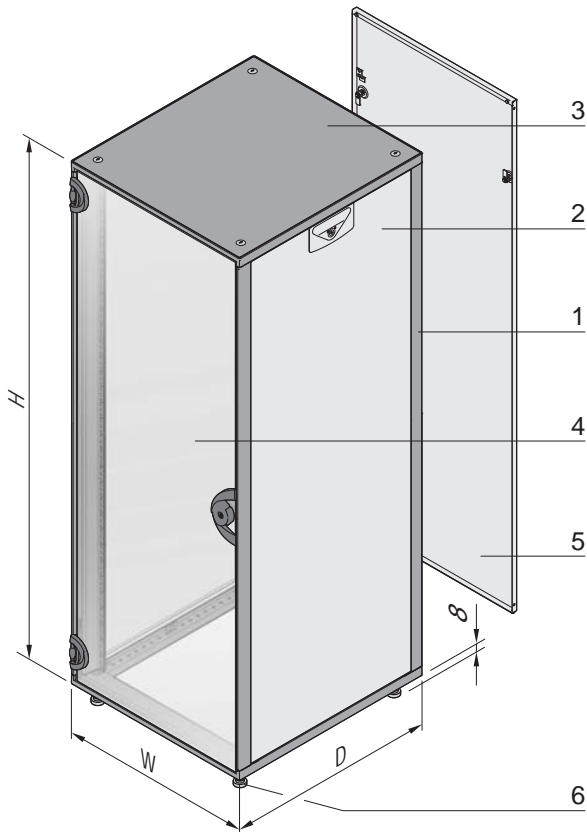


- All uprights (front and rear) with 19" cut-outs
- Flush cladding parts
- Type of protection IP 20
- 2 cabinet depths (600 mm, 800 mm), cabinet width 553 mm
- Static load-carrying capacity
 - Slim-Line 200 kg (12, 16, 20 U)
 - Heavy-Duty 400 kg (38, 43 U)
- 2 colours
 - RAL 7021 (black grey) throughout
 - Colour combination: side panels, rear panel RAL 7035 (light grey); frame, top cover RAL 7021 (black grey)

NEW

Delivery comprises (assembled)

Item	Qty	Description
1	1	Frame, uprights Al extrusion with 19" cut-outs, Al die-cast frame, RAL 7021
2	2	Side panel, St, 1 mm; light grey (RAL 7035) or black grey (RAL 7021), see Order information; twist-locking catch (Torx T30)
3	1	Flush top cover, St, 1 mm, RAL 7021
4	1	Glazed door, single pane safety glass (ESG) 6 mm, smoke grey, with DIN cylinder safety lock and 2 keys (2233x)
5	1	Rear panel, St, 1 mm, light grey (RAL 7035) or black grey (RAL 7021), see Order information
6	4	Foot
7	1	GND/earthing kit



Order Information

Usable height	Height H	Width W	Depth D	Colour RAL 7021	Colour RAL 7035/ RAL 7021
				Part no.	Part no.
U					
Slim-Line					
12	589	553	600	15230-019	16230-019
16	767	553	600	15230-020	16230-020
20	945	553	600	15230-021	16230-021
Heavy-Duty					
38	1745	553	600	15230-022	16230-022
38	1745	553	800	15230-023	16230-023
43	1967	553	600	15230-024	16230-024
43	1967	553	800	15230-025	16230-025

Accessories

Lifting eye for flush cover M12 thread, application and load to DIN 582 PU 4 pieces	27230-066
--	-----------

Note

- Please order base plate, base/plinth, slide rails and shelves separately, see from page 1.249
- Castors see page 1.249
- Other accessories/components see ServicePLUS, from page 1.257
- Dimension drawings see from page 1.242

Spacing to 19" plane:
Slim-Line: front 33 mm, rear 60 mm;
Heavy-Duty: front and rear 60 mm



ServicePLUS see page 1.256



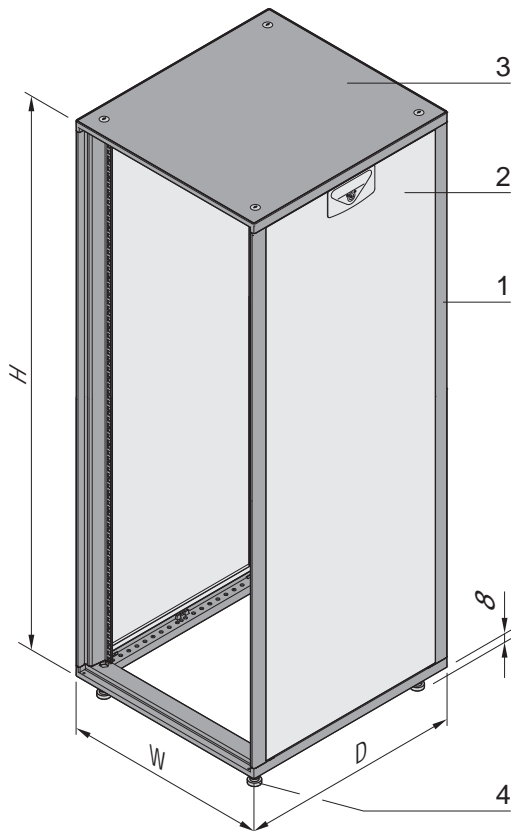
For further information www.schroff.biz/oneclick
oneClick search code = Part no.

Cabinets - NOVASTAR

19" cabinet, door and rear panel combination freely selectable



07011013



07011051

Spacing to 19" plane:
Slim-Line: front 33 mm, rear 60 mm;
Heavy-Duty: front and rear 60 mm



ServicePLUS see page 1.256

- All uprights (front and rear) with 19" cut-outs
- Flush cladding parts
- Type of protection IP 20
- 3 cabinet depths (500, 600 and 800 mm), cabinet width 553 mm
- Static load-carrying capacity
 - Slim-Line 200 kg (9 U to 25 U)
 - Heavy-Duty 400 kg (34 U to 47 U)
- 2 colours
 - RAL 7021 (black grey) throughout
 - Colour combination: side panels RAL 7035 (light grey); frame, top cover RAL 7021 (black grey)

NEW

Delivery comprises (assembled)

Item	Qty	Description
1	1	Frame, uprights Al extrusion with 19" cut-outs, Al die-cast frame, RAL 7021
2	2	Side panel, St, 1 mm; light grey (RAL 7035) or black grey (RAL 7021), see Order information; twist-locking catch (Torx T30)
3	1	Flush top cover, St, 1 mm, RAL 7021
4	4	Foot
5	1	GND/earthing kit

Order Information

Usable height	Height H	Width W	Depth D	Colour RAL 7021	Colour RAL 7035/ RAL 7021
U	mm	mm	mm	Part no.	Part no.
Slim-Line					
9	456	553	600	15230-001	16230-001
12	589	553	500	15230-002	16230-002
12	589	553	600	15230-003	16230-003
16	767	553	500	15230-004	16230-004
16	767	553	600	15230-005	16230-005
20	945	553	500	15230-006	16230-006
20	945	553	600	15230-007	16230-007
20	945	553	800	15230-008	16230-008
25	1167	553	600	15230-009	16230-009
25	1167	553	800	15230-010	16230-010
Heavy-Duty					
34	1567	553	600	15230-011	16230-011
34	1567	553	800	15230-012	16230-012
38	1745	553	600	15230-013	16230-013
38	1745	553	800	15230-014	16230-014
43	1967	553	600	15230-015	16230-015
43	1967	553	800	15230-016	16230-016
47	2145	553	600	15230-017	16230-017
47	2145	553	800	15230-018	16230-018

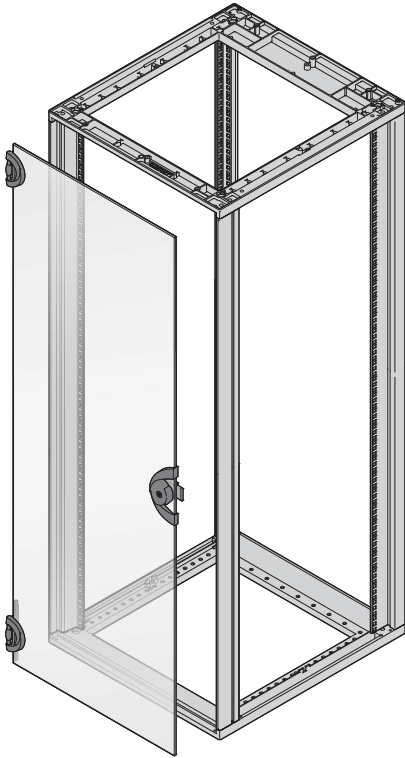
Accessories

Lifting eye for flush cover M12 thread, application and load to DIN 582 PU 4 pieces 27230-066

- Please order doors, rear panel, base plate, base/plinth, slide rails and shelves separately, see from page 1.246
- Castors see page 1.249
- Other accessories/components see ServicePLUS, from page 1.257
- Dimension drawings see from page 1.242

Cabinets – NOVASTAR

Glass door (smoke grey)



- Can be assembled at front and rear
- Opening angle 180°

Delivery comprises

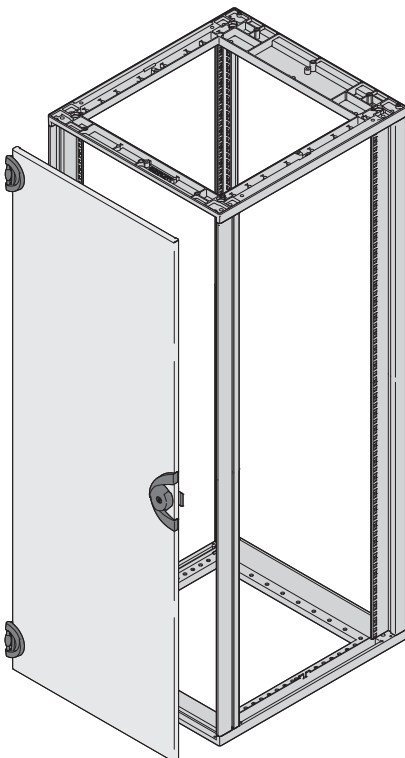
Item	Qty	Description
1	1	Glass door, single pane safety glass (ESG) 6 mm, smoke grey; safety lock with DIN cylinder and 1 key (2233x); hinges, plastic, black
2	1	Assembly kit

Order Information

For cabinet height U	Height mm	Part no.
9	422	27230-002
12	555	27230-003
16	733	27230-004
20	911	27230-005
25	1133	27230-006
34	1534	27230-007
38	1711	27230-008
43	1933	27230-009
47	2111	27230-010

07011059

Steel door



- Can be assembled at front and rear
- Opening angle 180°
- Colour black grey (RAL 7021) or light grey (RAL 7035)

Delivery comprises

Item	Qty	Description
1	1	Steel door, St, 1.5 mm; safety lock with DIN cylinder and 1 key (2233x); hinges, plastic, black
2	1	Fixing material kit and GND/earthing kit

Order Information

For cabinet height U	Height mm	Colour RAL 7021 Part no.	Colour RAL 7035 Part no.
9	422	25230-021	26230-021
12	555	25230-022	26230-022
16	733	25230-023	26230-023
20	911	25230-024	26230-024
25	1133	25230-025	26230-025
34	1534	25230-026	26230-026
38	1711	25230-027	26230-027
43	1933	25230-028	26230-028
47	2111	25230-029	26230-029

Accessories

Spare key 1 piece	60127-018
--------------------------	-----------

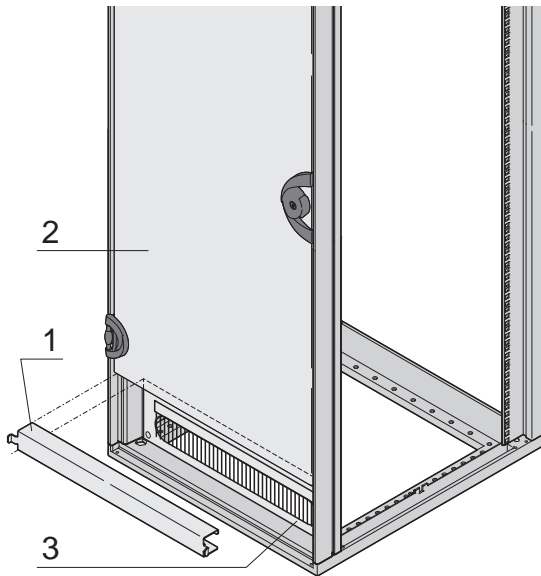
07011060



For further information www.schroff.biz/oneclick
oneClick search code = Part no.

Cabinets - NOVASTAR

Cable ducting combination for steel door



- For a cable ducting combination a steel door, a door hinge bracket and a frame for cable ducting are required
- Cable ducting can be at top or bottom
- Frame with brush strip for cable ducting is either 3 U or 4 U, depending on cabinet/door height

Delivery comprises

Item	Qty	Description
1	1	Door hinge bracket, St, 2 mm, RAL 7021 requires 1 U fitting space, mounts above or below the steel door
2	1	Steel door, St, 1.5 mm, lock (2233x) with 1 key, opening angle 180°, GND/earthing
3	1	Frame for cable ducting, St, 2.5 mm, with black brush strip, 3 U (for cabinet heights 16, 20, 38, 47 U) 4 U (for cabinet heights 25, 34, 43 U)

07011061

Order Information

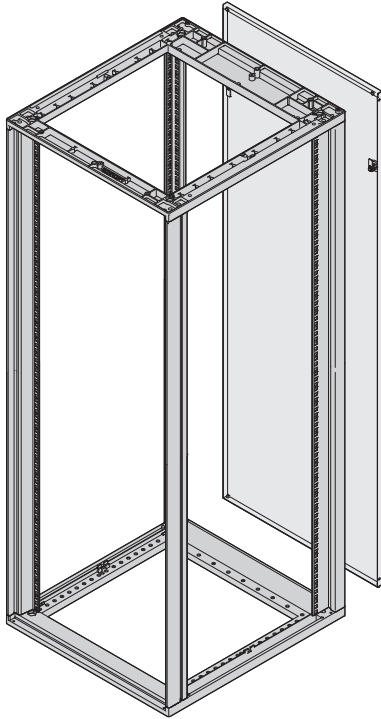
	Steel door		Door hinge bracket for doors			Cable ducting	
	RAL 7035	RAL 7021	Slim-Line front 33 mm	Slim-Line rear 60 mm	Heavy-Duty front/rear 60 mm	RAL 7035	RAL 7021
Cabinet dimensions Height (U)	St, 1.5 mm, lock (2233x) with 1 key, opening angle 180°, incl. GND/earthing		Door hinge bracket, St, 2 mm, RAL 7021; mounts above or below the door; requires 1 U fitting space			St, 2.5 mm, with black brush strip 1) Height 3 U 2) Height 4 U	
16	26230-022	25230-022	27230-060	27230-061	27230-061	1) 20118-391	1) 20118-796
20	26230-023	25230-023	27230-060	27230-061	27230-061	1) 20118-391	1) 20118-796
25	26230-024	25230-024	27230-060	27230-061	27230-061	2) 20118-390	2) 20118-797
34	26230-030	25230-030	27230-060	27230-061	27230-061	2) 20118-390	2) 20118-797
38	26230-026	25230-026	27230-060	27230-061	27230-061	1) 20118-391	1) 20118-796
43	26230-027	25230-027	27230-060	27230-061	27230-061	2) 20118-390	2) 20118-797
47	26230-028	25230-028	27230-060	27230-061	27230-061	1) 20118-391	1) 20118-796



For further information www.schroff.biz/oneclick
oneClick search code = Part no.

Cabinets – NOVASTAR

Rear panel



- Twist-locking catch (Torx T30, with 1/4 turn)
- Rear panel: colour black grey (RAL 7021) or light grey (RAL 7035)

Delivery comprises

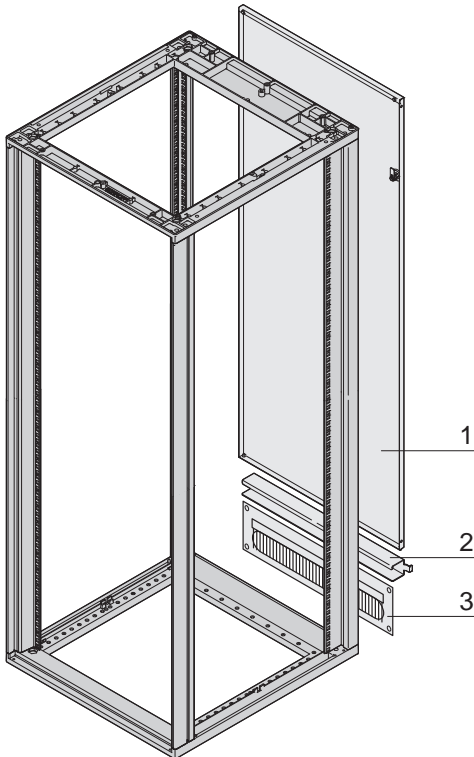
Item	Qty	Description
1	1	Rear panel, St, 1 mm, twist-locking catch (Torx T30, with 1/4 turn)
2	1	Assembly kit

Order Information

For cabinet height	Height	Colour RAL 7021 Part no.	Colour RAL 7035 Part no.
U	mm		
9	422	25230-371	26230-371
12	555	25230-372	26230-372
16	733	25230-373	26230-373
20	911	25230-374	26230-374
25	1133	25230-375	26230-375
34	1534	25230-376	26230-376
38	1711	25230-377	26230-377
43	1933	25230-378	26230-378
47	2111	25230-379	26230-379

07011057

Rear panel with cable ducting frame



- Twist-locking catch (Torx T30, with 1/4 turn)
- Rear panel: colour black grey (RAL 7021) or light grey (RAL 7035)
- Cable ducting frame 3 or 4 U

Delivery comprises

Item	Qty	Description
1	1	Rear panel, St, 1 mm, colour see Order information; twist-locking catch (Torx T30, with 1/4 turn)
2	1	Door hinge bracket, St, 2 mm, colour see Order information
3	1	Frame for cable ducting, St, 1.5 mm, colour see Order information; brush strip; 3 U frame for cable ducting for cabinet heights 16, 20, 38, 47 U; 4 U frame for cable ducting for cabinet heights 25, 34, 43 U
4	1	Assembly kit and GND/earthing kit

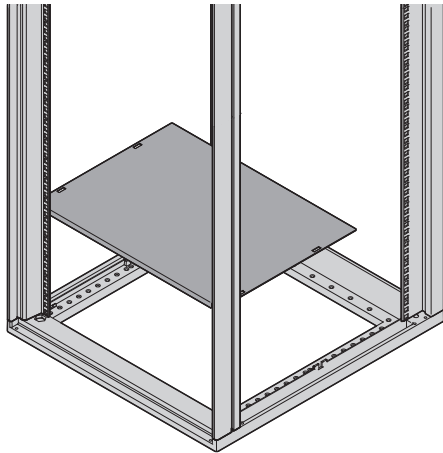
Order Information

For cabinet height	Height	For cabinet width	Colour RAL 7021 Part no.	Colour RAL 7035 Part no.
U	mm	mm		
16	733	553	25230-430	26230-430
20	911	553	25230-434	26230-434
25	1133	553	25230-439	26230-439
34	1534	553	25230-448	26230-448
38	1711	553	25230-452	26230-452
43	1933	553	25230-457	26230-457
47	2111	553	25230-461	26230-461

07011058

Cabinets - NOVASTAR

Base (open at rear)



- The base is open at rear for cable ducting; opening can be closed with a cover plate or brush strip

Delivery comprises

Item	Qty	Description
1	1	Base plate, St, 1.5 mm, RAL 7021; cable through-ducting opening, width 440 mm, depth 70 mm
2	1	Assembly kit

Order Information

For cabinet width mm	For cabinet depth mm	Part no.
553	500	27230-091
553	600	27230-092
553	800	27230-093

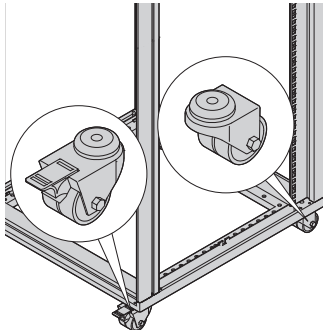
Accessories

Brush strip Nylon, black, 440 mm x 98 mm PU 1 piece	27230-079
Cover plate for base St, 1.5 mm, 485 mm x 92 mm, RAL 7021, PU 1 piece	27230-114

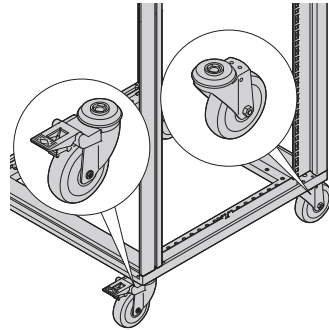


For further information www.schroff.biz/oneclick
oneClick search code = Part no.

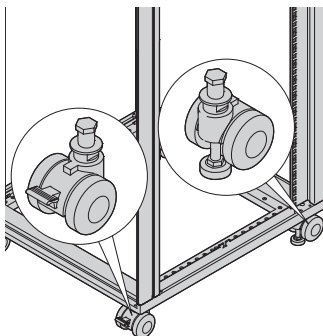
Castors



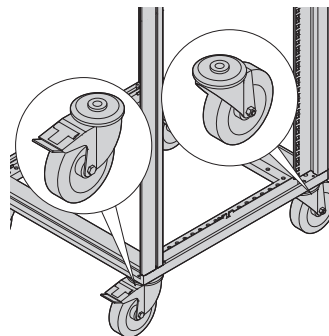
07011065
Load-carrying capacity 200 kg



07011066
Load-carrying capacity 300 kg,
conductive,
ESD resistance < 10 kΩ



07011067
Load-carrying capacity 400 kg,
with adjustable feet



07011068
Load-carrying capacity 400 kg

- Castors are fitted to the frame
- Static load-carrying capacity 200 kg, 300 kg or 400 kg depending on version
- Height dependent on version 73 mm, 80 mm, 131 mm or 155 mm
- 2 castors without jacking foot, 2 castors with jacking foot

Delivery comprises

Item	Qty	Description
1	2	Locking castor, PA/St
2	2	Non-locking castor, PA/St
3	1	Assembly kit

Order Information

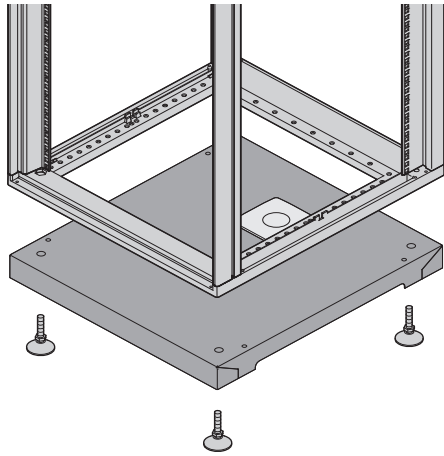
Description	Load-carrying capacity kg	Height H mm	Castor diameter mm	Part no.
Castors	200	73	Ø 50	27230-067
Castors, conductive, ESD resistance < 10 kΩ to EN 12528	300	131	Ø 100	27230-110
Castors with adjustable feet	400	80	Ø 60	27230-068
Castors	400	155	Ø 125	27230-069



For further information www.schroff.biz/oneclick
oneClick search code = Part no.

Cabinets - NOVASTAR

Base/plinth with cable ducting



- Static load-carrying capacity 400 kg
- Height adjustable 57 ... 67 mm
- Cable ducting (110 x 76 mm) with cover

Delivery comprises (assembled)

Item	Qty	Description
1	1	Base/plinth, St, 1.5 mm, height 55 mm, RAL 7021; cable ducting 110 mm x 76 mm, with plastic cover
2	4	Adjustable foot
3	1	Assembly kit and GND/earthing kit

Order Information

For cabinet width mm	For cabinet depth mm	Part no.
553	500	27230-070
553	600	27230-071
553	800	27230-072

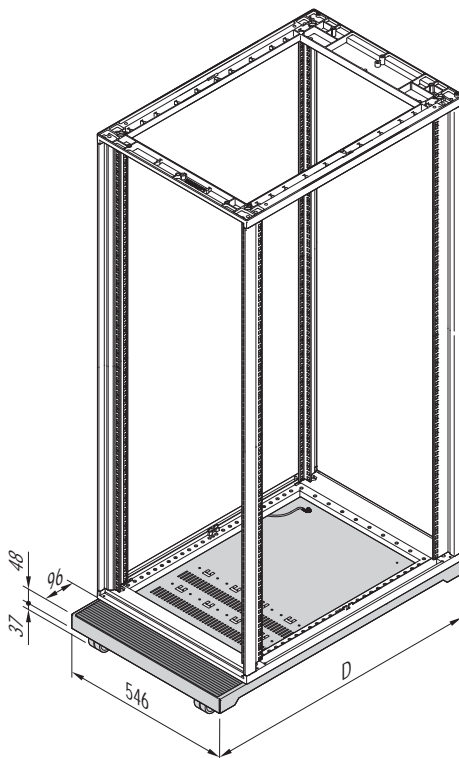
Accessories

Brush strip Nylon, black, 110 mm x 76 mm; to cover cable through-ducting opening , 1 piece	27230-111
---	-----------



For further information www.schroff.biz/oneclick
oneClick search code = Part no.

Mobile base/plinth



- Static load-carrying capacity 200 kg
- Base/plinth height H = 100 mm
- Suitable for cabinet heights up to 34 U

Delivery comprises

Item	Qty	Description
1	1	Base/plinth, St, 2 mm, black (RAL 7021), with perforation
2	1	Fine-grooved mat, natural rubber, anthracite, 3 mm thick, self-adhesive
3	4	Castors, St, Ø 55 mm, load-carrying capacity 200 kg
4	1	Assembly kit

Order Information

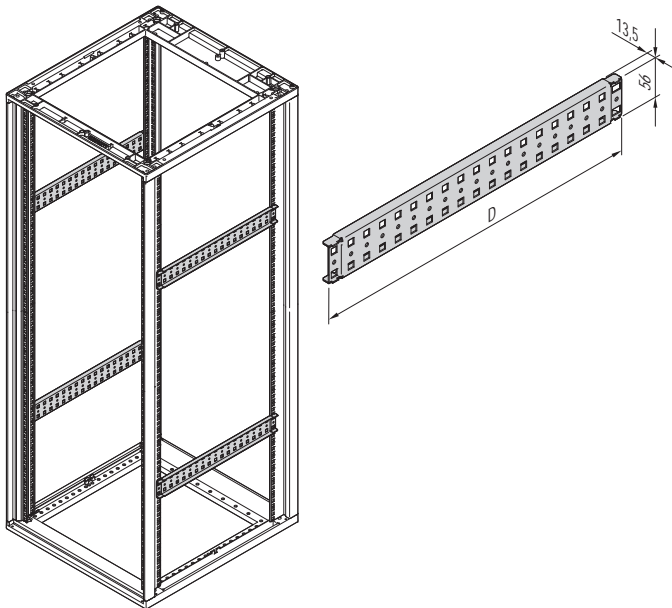
For cabinet depth mm	D mm	Part no.
500	592	27230-146
600	692	27230-147
800	892	27230-148



For further information www.schroff.biz/oneclick
oneClick search code = Part no.

Cabinets - NOVASTAR

Depth members



07011112

07011114

- For assembly on cabinet uprights
- Adjustable in 1 U increments
- Finish ALZn

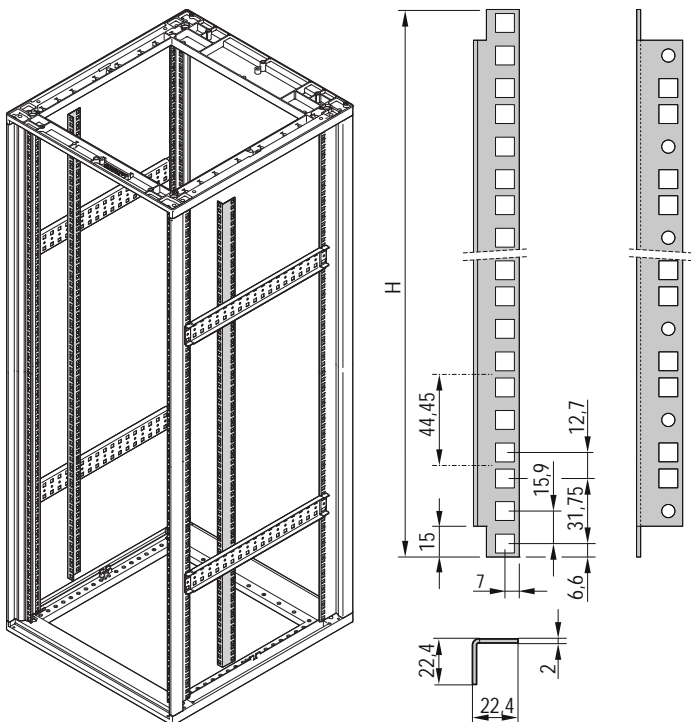
Order Information

For cabinet depth mm	D mm	Part no.
500	366	27230-121
600	466	27230-122
800	666	27230-123



For further information www.schroff.biz/oneclick
oneClick search code = Part no.

19" panel/slide mounts with universal perforation grid (EIA)



07011111

07011115

- For fitting to depth members (25 mm grid)
- For recessed installation of 19" components
- Load-carrying capacity 400 kg
- Slide rails can be fitted
- A partial-height 19" mounting is possible with short 19" panel/slide mounts

Delivery comprises

Item	Qty	Description
1	2	19" panel/slide mount, St, 2 mm, RAL 7021
2	1	Assembly kit

Order Information

For cabinet height U	Usable height mm	H mm	Part no.
Partial-height mounting	6	267	27230-200
9	456	400	27230-201
12	589	534	27230-202
16	767	712	27230-203
20	945	889	27230-204
25	1167	1112	27230-205
34	1567	1512	27230-206
38	1745	1690	27230-207
43	1967	1912	27230-208
47	2145	2090	27230-209

19" panel/slide mount mounted
on depth members

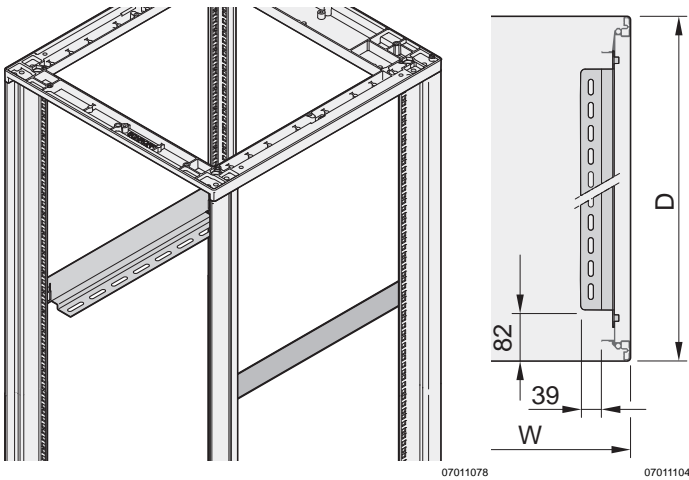
- Slide rails see page 1.252
- Depth members are required for fitting, see page 1.251



For further information www.schroff.biz/oneclick
oneClick search code = Part no.

Cabinets - NOVASTAR

Slide rail



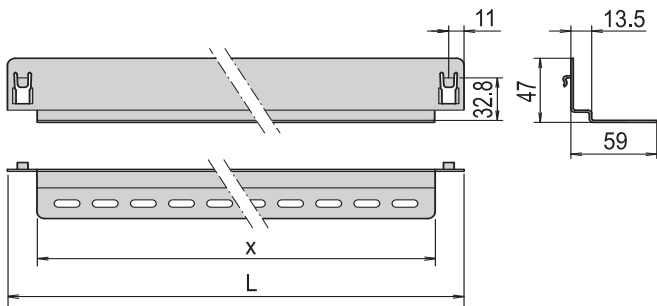
- For mounting on the vertical cabinet uprights or 19" panel/slide mounts
- Adjustable in 1 U increments
- Static load-carrying capacity 25 kg per pair

Delivery comprises

Item	Qty	Description
1	2	Slide rail, St, 1.5 mm, finish AlZn
2	1	Assembly kit

Order Information

For cabinet depth D	L	x	Part no.
mm	mm	mm	
500	370	322	27230-102
600	470	422	27230-103
800	670	622	27230-104

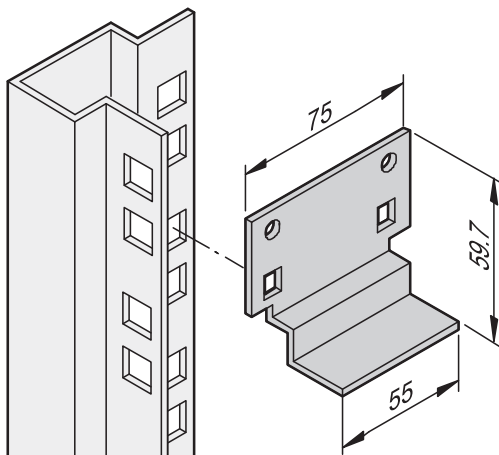


00205051



For further information www.schroff.biz/oneclick
oneClick search code = Part no.

Short slide rail



sc96xxxx

- For mounting on the cabinet uprights or 19" panel/slide mounts
- Adjustable in 1 U increments
- Static load-carrying capacity max. 15 kg per pair

Delivery comprises

Item	Qty	Description
1	2 / 10	Short slide rail, St, 1.5 mm, finish AlZn
2	1	Assembly kit

Order Information

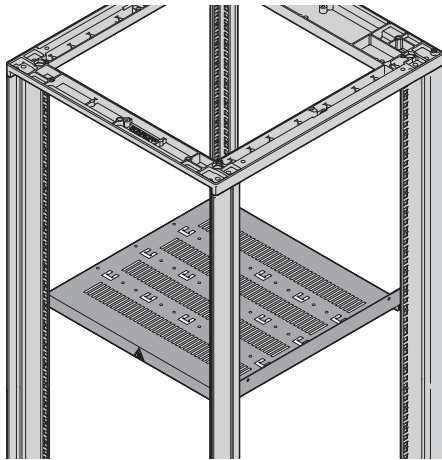
Description	Qty/PU	Part no.
Short slide rail	2	27230-125
Short slide rail	10	27230-126



For further information www.schroff.biz/oneclick
oneClick search code = Part no.

Cabinets - NOVASTAR

Shelf, stationary



- Static load-carrying capacity 75 kg
- Mounting height 1 U, for fitting on the vertical cabinet uprights
- Hammer head perforation for fixing cables using cable ties or Velcro-type tape

Delivery comprises

Item	Qty	Description
1	1	Shelf with perforation, St, 1.5 mm, RAL 7021
2	1	Assembly kit

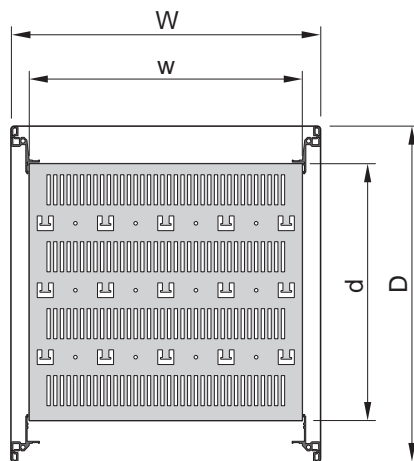
Order Information

For cabinet depth D mm	Usable surface w x d mm	Part no.
500	488 x 350	27230-051
600	488 x 450	27230-052
800	488 x 650	27230-053

Accessories

Cable ties 92 mm x 2.5 mm, PU 25 pieces	20118-351
Cable ties 186 mm x 5 mm, PU 25 pieces	20118-352
Cable ties 360 mm x 5 mm, PU 25 pieces	20118-353
Velcro strip Polyethylen/Polyamide, black, length 300 mm, PU 10 pieces	20118-624

07011077



W = 553 mm

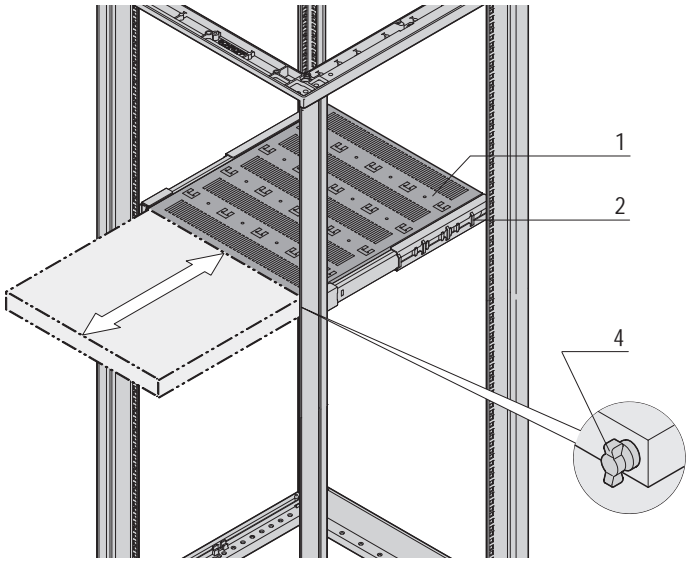
07011105



For further information www.schroff.biz/oneclick
oneClick search code = Part no.

Cabinets - NOVASTAR

Telescopic shelf, 70 kg



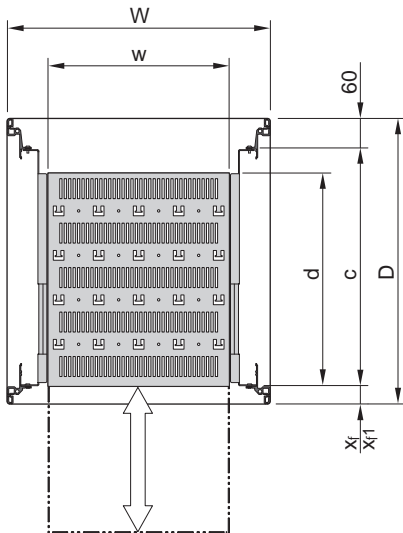
- Static load-carrying capacity at full extension 70 kg
- Mounting height 2 U, for fitting to the four vertical uprights
- Incl. telescopic slides
- Locking possible with T-bar lock
- Hammer head perforation for fixing cables using cable ties or Velcro-type tape
- 2 versions
 - Full depth
 - Depth shortened by 100 mm for rear cable ducting

Delivery comprises

Item	Qty	Description
1	1	Shelf with perforation, St, 1.5 mm, RAL 7021
2	2	Telescopic slide
3	1	Assembly kit

07011089

Full depth



Order Information

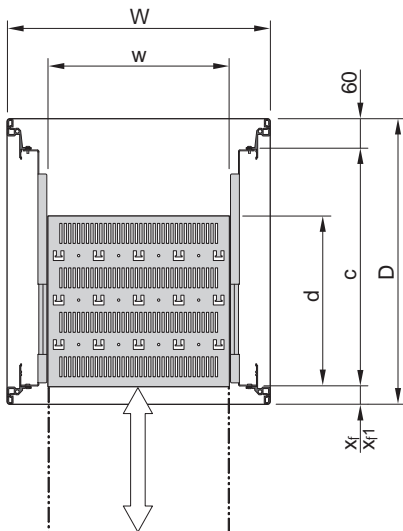
Full depth

Cabinet dimensions W x D mm	Usable surface w x d mm	x_f mm	x_{f1} mm	c mm	Full depth Part no.
553 x 500	405 x 382	33	60	407	21130-357
553 x 600	405 x 482	33	60	507	21130-353
553 x 800	405 x 682	33	60	687	21130-355

Item 4 T-bar lock for 1 telescopic shelf (can be mounted right or left), 1 piece 23130-092

GND/earthing for telescopic shelf PU 1 piece 21120-189

Shortened depth



07011101

Order Information

Shortened by 100 mm

Cabinet dimensions W x D mm	Usable surface w x d mm	x_f mm	x_{f1} mm	c mm	Shortened by 100 mm Part no.
553 x 500	405 x 282	33	60	407	21130-358
553 x 600	405 x 382	33	60	507	21130-352
553 x 800	405 x 582	33	60	687	21130-354

Item 4 T-bar lock for 1 telescopic shelf (can be mounted right or left), 1 piece 23130-092

GND/earthing for telescopic shelf PU 1 piece 21120-189

c = pitch of 19" profiles; x_f = Slim-Line assembly dimensions;
 x_{f1} = Heavy-Duty assembly dimensions

07011102



For further information www.schroff.biz/oneclick
 oneClick search code = Part no.

Cabinets - NOVASTAR

Support arm for monitor and keyboard (SysPend®)



00511006

- Support arm for mounting of monitor, keyboard and mouse on cabinet
- Fixing is to the side of the Heavy-Duty frame (height adjustable)
- Static load-carrying capacity 3 ... 7 kg
- Support arm:
 - Height-adjustable 300 mm
 - Angle of rotation on cabinet 180 °
 - Monitor rotation angle 340° (fitted on cabinet 270°)
 - Monitor tilt angle 60°
 - Integrated cable routing
- Suitable for industrial applications

NEW

Delivery comprises

Item	Qty	Description
1	1	Support arm frame, Al extrusion, RAL 7035, rotatable, height adjustable
2	1	Wall-mounting bracket, for mounting on cabinet or wall, hinged sideways through 180°
3	1	Keyboard storage point, tiltable upward through 95°, width 480 mm, depth 170 mm; mouse pad: width 150 mm, depth 190 mm
4	1	Monitor holder for flat-screen units, hinged through 340°, tiltable through 60° (15° forwards, 45° to rear)



00511004

Support arm fitted with monitor and keyboard



00511003

Cable ducting

Order Information

Description	Qty/PU pieces	Part no.
Support arm for monitor and keyboard (SysPend®)	1	VAMONITOR
Accessories		
Mounting material for cabinet exterior PU 4 pieces		27230-144



For further information www.schrock.biz/oneclick
oneClick search code = Part no.

Mounting material for cabinet exterior

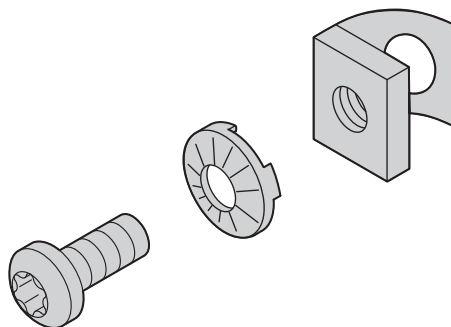
- For mounting accessories to cabinet exterior (e.g. support arm)
- Slide nut (M6) is simply inserted into the side T-groove of the Heavy-Duty frame

Delivery comprises

Item	Qty	Description
1	1	Slide nut M6
2	1	Pan head screw M6 x 16 (Torx T30)
3	1	Nomel washer 6.1

Order Information

Description	Qty/PU pieces	Part no.
Mounting material for cabinet exterior	4	27230-144



06712050

Cabinets - NOVASTAR Service Plus



configuration

Simple. Fast. For the ideal product.

Components can be varied and combined freely

- Configuration tables from page 1.258



assembly

Assembled by professionals. Double benefit

Fitting of all mechanical, electrical and electronic components by our specialists

- No additional charge
- Ready for despatch within 10 working days



modification

Small changes. Large impact.

Custom drillings, cut-outs and special colours for off-the-shelf products

- Download CAD data and send back with modifications
- Ready for dispatch within 15 working days



solution

Simple. Fast. From one source.

Integration and custom developments

- Climate control, complete construction, cabling (power supply), function test
- Special sizes, customised solutions



lifecycle

We are with you. For the entire product life.

Flexible support throughout the product lifecycle

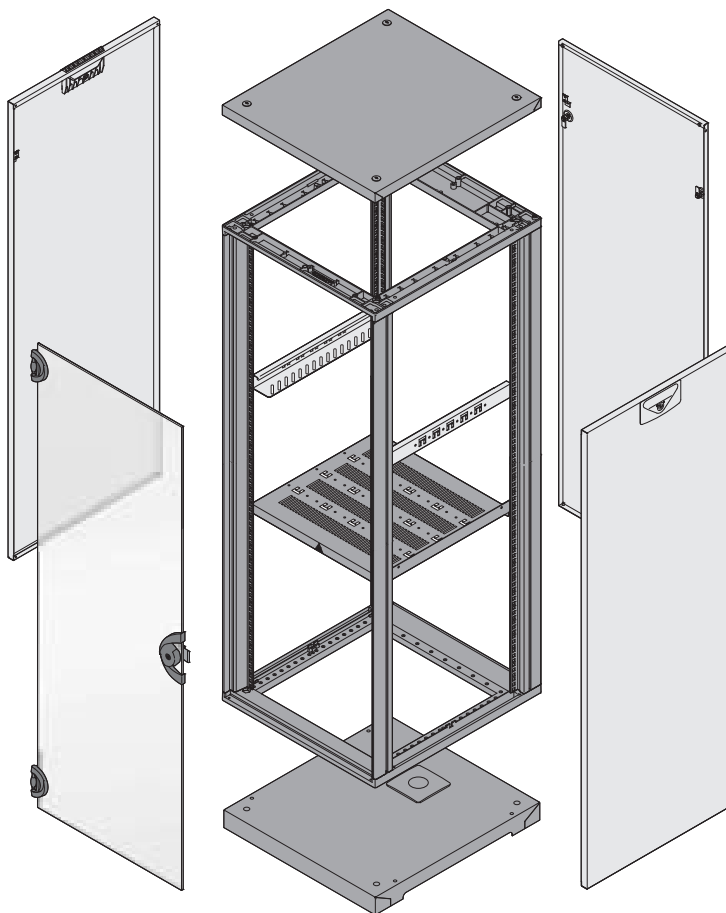
- Delivery to point of use, installation service, replacement service, spare parts

Cabinets - NOVASTAR Service Plus



ServicePLUS: configuration and assembly

- **Dimensions:**
 - Height: 6 ... 47 U (357 ... 2145 mm)
 - Width: 553 mm
 - Depth: 500, 600, 800 mm
- **2 frame versions:**
 - Slim-Line, static load-carrying capacity 200 kg, height 6 ... 47 U
 - Heavy-Duty, static load-carrying capacity 400 kg, height 16 ... 47 U
- **Configure your cabinet from individual parts (to have them assembled please add the suffix /05 to each part number)**
- **Once you have selected your cabinet dimensions, the row number (first column of the configuration tables) guides you through all the pages of the configurations possible for these dimensions (see example below)**
- **The configured cabinet is assembled and is ready for despatch within 10 working days**



07011052

Configuration example, assembled (here: row no. 11)

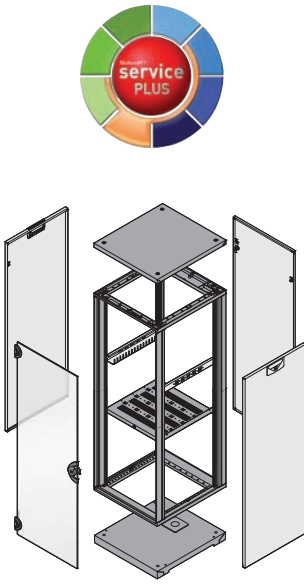


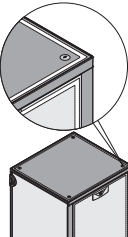
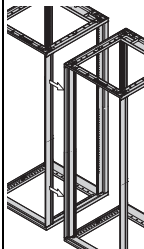
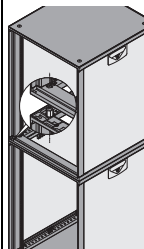
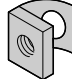
Qty	Description	Order no.
1	Frame, Slim-Line, usable height 20 U, height 945 mm, width 553 mm, depth 500 mm, 1 piece	28230-015/05
1	Side panel, Slim-Line, height 20 U, depth 500 mm, RAL 7035, PU 2 pieces	26230-074/05
1	Glass door (smoke grey), height 20 U, opening angle 180°, width 553 mm, 1 piece	27230-005/05
1	Rear panel, height 20 U, width 553 mm, RAL 7035, PU 1 piece	26230-374/05
1	Top cover, raised, width 553 mm, depth 500 mm, RAL 7021, 1 piece	25230-010/05
..

	Page
Frames, gasketing kit, side-by-side mounting kit, stacking kit	1.258
Castors, adjustable feet	1.259
Side panels	1.260
Glass doors, steel doors	1.261
Cable ducting for steel doors	1.262
Rear panels	1.263
Top covers	1.264
Fan top covers, lifting eye, thermostat, speed controller	1.265
Floors, plinths	1.266
19" panel/slide mounts, depth members, shelves	1.267
Slide rails	1.268
Cable ties, Velcro-type tape	1.269

Cabinets - NOVASTAR Service Plus

Frames, gasketing kit, side-by-side mounting kit, stacking kit

Order Information

					Frame		Gasketing kit for IP 40	Side-by-side mounting kit	Stacking kit	Slide nut for T-groove																																																																																																																				
					Slim-Line 200 kg	Heavy-Duty 400 kg																																																																																																																								
 <p>Cabinet dimensions</p> <table border="1"> <thead> <tr> <th>No.</th> <th>Height U</th> <th>Width mm</th> <th>Depth mm</th> </tr> </thead> <tbody> <tr><td>1</td><td>6</td><td>357</td><td>553</td></tr> <tr><td>2</td><td>6</td><td>357</td><td>600</td></tr> <tr><td>3</td><td>9</td><td>456</td><td>553</td></tr> <tr><td>4</td><td>9</td><td>456</td><td>600</td></tr> <tr><td>5</td><td>12</td><td>589</td><td>553</td></tr> <tr><td>6</td><td>12</td><td>589</td><td>600</td></tr> <tr><td>7</td><td>12</td><td>589</td><td>800</td></tr> <tr><td>8</td><td>16</td><td>767</td><td>553</td></tr> <tr><td>9</td><td>16</td><td>767</td><td>600</td></tr> <tr><td>10</td><td>16</td><td>767</td><td>800</td></tr> <tr><td>11</td><td>20</td><td>945</td><td>553</td></tr> <tr><td>12</td><td>20</td><td>945</td><td>600</td></tr> <tr><td>13</td><td>20</td><td>945</td><td>800</td></tr> <tr><td>14</td><td>25</td><td>1167</td><td>553</td></tr> <tr><td>15</td><td>25</td><td>1167</td><td>600</td></tr> <tr><td>16</td><td>25</td><td>1167</td><td>800</td></tr> <tr><td>17</td><td>34</td><td>1567</td><td>553</td></tr> <tr><td>18</td><td>34</td><td>1567</td><td>600</td></tr> <tr><td>19</td><td>34</td><td>1567</td><td>800</td></tr> <tr><td>20</td><td>38</td><td>1745</td><td>553</td></tr> <tr><td>21</td><td>38</td><td>1745</td><td>600</td></tr> <tr><td>22</td><td>38</td><td>1745</td><td>800</td></tr> <tr><td>23</td><td>43</td><td>1967</td><td>553</td></tr> <tr><td>24</td><td>43</td><td>1967</td><td>600</td></tr> <tr><td>25</td><td>43</td><td>1967</td><td>800</td></tr> <tr><td>26</td><td>47</td><td>2145</td><td>553</td></tr> <tr><td>27</td><td>47</td><td>2145</td><td>600</td></tr> <tr><td>28</td><td>47</td><td>2145</td><td>800</td></tr> </tbody> </table>					No.	Height U	Width mm	Depth mm	1	6	357	553	2	6	357	600	3	9	456	553	4	9	456	600	5	12	589	553	6	12	589	600	7	12	589	800	8	16	767	553	9	16	767	600	10	16	767	800	11	20	945	553	12	20	945	600	13	20	945	800	14	25	1167	553	15	25	1167	600	16	25	1167	800	17	34	1567	553	18	34	1567	600	19	34	1567	800	20	38	1745	553	21	38	1745	600	22	38	1745	800	23	43	1967	553	24	43	1967	600	25	43	1967	800	26	47	2145	553	27	47	2145	600	28	47	2145	800	 07011053 static load-carrying capacity: 200 kg, Al extrusion, RAL 7021, incl. GND/earthing; 19" plane 33 mm at front, 60 mm at rear; please order castors or adjustable feet separately	 07011054 static load-carrying capacity: 400 kg, Al extrusion, RAL 7021, incl. GND/earthing; 19" plane 60 mm at front, 60 mm at rear; please order castors or adjustable feet separately	 07012050 TPE, black; raises ingress protection from IP 20 to IP 40; gaskets are affixed onto the frame	 07011080 gasket, foam adhesive tape: PU foam anthracite; for joining two adjacent cabinets	 07011070 for joining two cabinets positioned one above the other	 aza43431 St. M6, for lateral mounting of accessories on the T-groove of the Heavy-Duty frame
No.	Height U	Width mm	Depth mm																																																																																																																											
1	6	357	553																																																																																																																											
2	6	357	600																																																																																																																											
3	9	456	553																																																																																																																											
4	9	456	600																																																																																																																											
5	12	589	553																																																																																																																											
6	12	589	600																																																																																																																											
7	12	589	800																																																																																																																											
8	16	767	553																																																																																																																											
9	16	767	600																																																																																																																											
10	16	767	800																																																																																																																											
11	20	945	553																																																																																																																											
12	20	945	600																																																																																																																											
13	20	945	800																																																																																																																											
14	25	1167	553																																																																																																																											
15	25	1167	600																																																																																																																											
16	25	1167	800																																																																																																																											
17	34	1567	553																																																																																																																											
18	34	1567	600																																																																																																																											
19	34	1567	800																																																																																																																											
20	38	1745	553																																																																																																																											
21	38	1745	600																																																																																																																											
22	38	1745	800																																																																																																																											
23	43	1967	553																																																																																																																											
24	43	1967	600																																																																																																																											
25	43	1967	800																																																																																																																											
26	47	2145	553																																																																																																																											
27	47	2145	600																																																																																																																											
28	47	2145	800																																																																																																																											
No.	U	mm	mm	mm	1 piece assembled	1 piece assembled	PU 1 kit assembled	PU 1 kit enclosed loose	PU 1 kit enclosed loose	PU 4 pieces enclosed loose																																																																																																																				
1	6	357	553	500	28230-001	-	27230-143	20230-409	27230-112	27230-144																																																																																																																				
2	6	357	553	600	28230-060	-	27230-143	20230-409	27230-112	27230-144																																																																																																																				
3	9	456	553	500	28230-004	-	27230-143	20230-409	27230-112	27230-144																																																																																																																				
4	9	456	553	600	28230-063	-	27230-143	20230-409	27230-112	27230-144																																																																																																																				
5	12	589	553	500	28230-007	-	27230-143	20230-409	27230-112	27230-144																																																																																																																				
6	12	589	553	600	28230-066	-	27230-143	20230-409	27230-112	27230-144																																																																																																																				
7	12	589	553	800	28230-126	-	27230-143	20230-409	27230-112	27230-144																																																																																																																				
8	16	767	553	500	28230-011	28230-310	27230-143	20230-409	27230-112	27230-144																																																																																																																				
9	16	767	553	600	28230-070	28230-370	27230-143	20230-409	27230-112	27230-144																																																																																																																				
10	16	767	553	800	28230-130	28230-430	27230-143	20230-409	27230-112	27230-144																																																																																																																				
11	20	945	553	500	28230-015	28230-314	27230-143	20230-409	27230-112	27230-144																																																																																																																				
12	20	945	553	600	28230-074	28230-374	27230-143	20230-409	27230-112	27230-144																																																																																																																				
13	20	945	553	800	28230-134	28230-434	27230-143	20230-409	27230-112	27230-144																																																																																																																				
14	25	1167	553	500	28230-020	28230-319	27230-143	20230-409	27230-112	27230-144																																																																																																																				
15	25	1167	553	600	28230-079	28230-379	27230-143	20230-409	27230-112	27230-144																																																																																																																				
16	25	1167	553	800	28230-139	28230-439	27230-143	20230-409	27230-112	27230-144																																																																																																																				
17	34	1567	553	500	28230-029	28230-328	27230-143	20230-409	27230-112	27230-144																																																																																																																				
18	34	1567	553	600	28230-088	28230-388	27230-143	20230-409	27230-112	27230-144																																																																																																																				
19	34	1567	553	800	28230-148	28230-448	27230-143	20230-409	27230-112	27230-144																																																																																																																				
20	38	1745	553	500	28230-033	28230-332	27230-143	20230-409	27230-112	27230-144																																																																																																																				
21	38	1745	553	600	28230-092	28230-392	27230-143	20230-409	27230-112	27230-144																																																																																																																				
22	38	1745	553	800	28230-152	28230-452	27230-143	20230-409	27230-112	27230-144																																																																																																																				
23	43	1967	553	500	28230-048	28230-337	27230-143	20230-409	27230-112	27230-144																																																																																																																				
24	43	1967	553	600	28230-097	28230-397	27230-143	20230-409	27230-112	27230-144																																																																																																																				
25	43	1967	553	800	28230-157	28230-457	27230-143	20230-409	27230-112	27230-144																																																																																																																				
26	47	2145	553	500	28230-042	28230-341	27230-143	20230-409	27230-112	27230-144																																																																																																																				
27	47	2145	553	600	28230-101	28230-401	27230-143	20230-409	27230-112	27230-144																																																																																																																				
28	47	2145	553	800	28230-162	28230-461	27230-143	20230-409	27230-112	27230-144																																																																																																																				

Frame dimensions, see page 1.242

If you would like to have the individual components of your configured ServicePLUS cabinet fitted, please add the suffix /05 to the part number

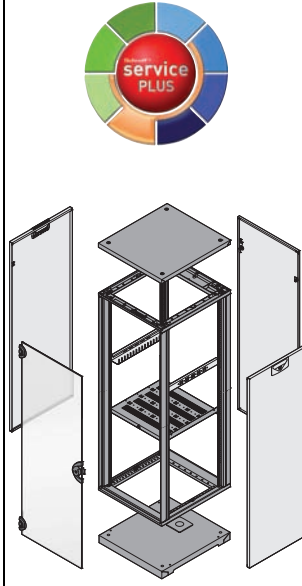
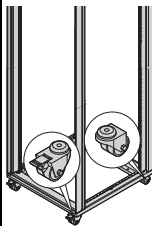
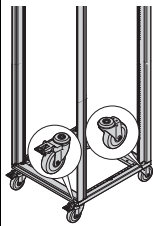
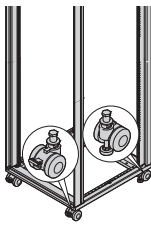
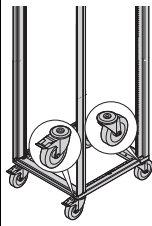
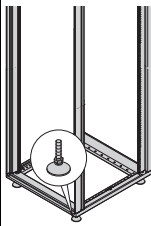


Further information www.schroff.biz/oneclick oneClick code = part number

Cabinets - NOVASTAR Service Plus

Castors, adjustable feet

Order Information

					Castors				Adjustable foot
					Load-carrying capacity 200 kg	Load-carrying capacity 300 kg, conductive	Load-carrying capacity 400 kg, Ø 60 mm	Load-carrying capacity 400 kg, Ø 125 mm	
					 <small>07011065</small>	 <small>07011066</small>	 <small>07011067</small>	 <small>07011068</small>	 <small>07011069</small>
					static load-carrying capacity 200 kg, height 73 mm, Ø 50 mm, 2 castors without jacking foot, 2 castors with jacking foot	static load-carrying capacity 300 kg, height 131 mm, Ø 100 mm, 2 castors without jacking foot, 2 castors with jacking foot; EN 12528 (resistance < 10 kΩ)	static load-carrying capacity 400 kg, height 80 mm, Ø 60 mm, 2 castors without jacking foot, 2 castors with jacking foot, incl. 4 adjustable feet	static load-carrying capacity 400 kg, height 155 mm, Ø 125 mm, 2 castors without jacking foot, 2 castors with jacking foot	static load-carrying capacity 400 kg, St, polyamide, black
No.	Height U	Width mm	Depth mm		PU 1 kit assembled	PU 1 kit assembled	PU 1 kit assembled	PU 1 kit assembled	PU 1 kit assembled
1	6	357	553	500					
2	6	357	553	600	27230-067	27230-110	27230-068	27230-069	27230-100
3	9	456	553	500					
4	9	456	553	600	27230-067	27230-110	27230-068	27230-069	27230-100
5	12	589	553	500					
6	12	589	553	600	27230-067	27230-110	27230-068	27230-069	27230-100
7	12	589	553	800					
8	16	767	553	500					
9	16	767	553	600	27230-067	27230-110	27230-068	27230-069	27230-100
10	16	767	553	800					
11	20	945	553	500					
12	20	945	553	600	27230-067	27230-110	27230-068	27230-069	27230-100
13	20	945	553	800					
14	25	1167	553	500					
15	25	1167	553	600	27230-067	27230-110	27230-068	27230-069	27230-100
16	25	1167	553	800					
17	34	1567	553	500					
18	34	1567	553	600	27230-067	27230-110	27230-068	27230-069	27230-100
19	34	1567	553	800					
20	38	1745	553	500					
21	38	1745	553	600	27230-067	27230-110	27230-068	27230-069	27230-100
22	38	1745	553	800					
23	43	1967	553	500					
24	43	1967	553	600	27230-067	27230-110	27230-068	27230-069	27230-100
25	43	1967	553	800					
26	47	2145	553	500					
27	47	2145	553	600	27230-067	27230-110	27230-068	27230-069	27230-100
28	47	2145	553	800					

If you would like to have the individual components of your configured ServicePLUS cabinet fitted, please add the suffix /05 to the part number



Further information www.schroff.biz/oneclick oneClick code = part number

Cabinets - NOVASTAR Service Plus

Side panels

Order Information

Cabinet dimensions					Side panel				Side panel lock
					Slim-Line		Heavy-Duty		
No.	Height U mm	Width mm	Depth mm	RAL 7035 PU 2 pieces assembled	RAL 7021 PU 2 pieces assembled	RAL 7035 PU 2 pieces assembled	RAL 7021 PU 2 pieces assembled	PU 1 kit assembled	
1	6	357	553	26230-070	25230-070	-	-	27230-115	
2	6	357	600	26230-120	25230-120	-	-	27230-115	
3	9	456	553	26230-071	25230-071	-	-	27230-115	
4	9	456	600	26230-121	25230-121	-	-	27230-115	
5	12	589	553	26230-072	25230-072	-	-	27230-115	
6	12	589	600	26230-122	25230-122	-	-	27230-115	
7	12	589	800	26230-172	25230-172	-	-	27230-115	
8	16	767	553	26230-073	25230-073	26230-223	25230-223	27230-115	
9	16	767	600	26230-123	25230-123	26230-273	25230-273	27230-115	
10	16	767	800	26230-173	25230-173	26230-323	25230-323	27230-115	
11	20	945	553	26230-074	25230-074	26230-224	25230-224	27230-115	
12	20	945	600	26230-124	25230-124	26230-274	25230-274	27230-115	
13	20	945	800	26230-174	25230-174	26230-324	25230-324	27230-115	
14	25	1167	553	26230-075	25230-075	26230-225	25230-225	27230-115	
15	25	1167	600	26230-125	25230-125	26230-275	25230-275	27230-115	
16	25	1167	800	26230-175	25230-175	26230-325	25230-325	27230-115	
17	34	1567	553	26230-076	25230-076	26230-226	25230-226	27230-115	
18	34	1567	600	26230-126	25230-126	26230-276	25230-276	27230-115	
19	34	1567	800	26230-176	25230-176	26230-326	25230-326	27230-115	
20	38	1745	553	26230-077	25230-077	26230-227	25230-227	27230-115	
21	38	1745	600	26230-127	25230-127	26230-277	25230-277	27230-115	
22	38	1745	800	26230-177	25230-177	26230-327	25230-327	27230-115	
23	43	1967	553	26230-078	25230-078	26230-228	25230-228	27230-115	
24	43	1967	600	26230-128	25230-128	26230-278	25230-278	27230-115	
25	43	1967	800	26230-178	25230-178	26230-328	25230-328	27230-115	
26	47	2145	553	26230-079	25230-079	26230-229	25230-229	27230-115	
27	47	2145	600	26230-129	25230-129	26230-279	25230-279	27230-115	
28	47	2145	800	26230-179	25230-179	26230-329	25230-329	27230-115	

If you would like to have the individual components of your configured ServicePLUS cabinet fitted, please add the suffix /05 to the part number

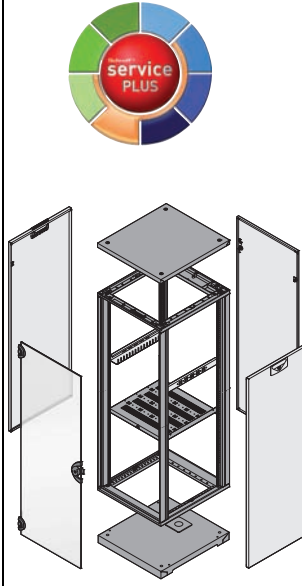

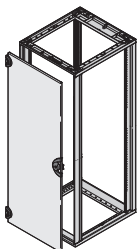
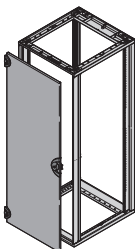


Further information www.schroff.biz/oneclick oneClick code = part number

Cabinets - NOVASTAR Service Plus

Glass doors, steel doors

Order Information

				Glass door (smoke grey)	Steel door		
				 07011059 opening angle 180°, lock with key, glass type: ESG 6 mm, EN 12150	 07011060	 07011088 St, 1.5 mm, lock (2233x) with 1 key, opening angle 180°, incl. GND/earthing	
							smoke grey 1 piece assembled
Cabinet dimensions							
No.	U	Height mm	Width mm	Depth mm			
1	6	357	553	500	27230-001	26230-020	25230-020
2	6	357	553	600			
3	9	456	553	500	27230-002	26230-021	25230-021
4	9	456	553	600			
5	12	589	553	500			
6	12	589	553	600	27230-003	26230-022	25230-022
7	12	589	553	800			
8	16	767	553	500			
9	16	767	553	600	27230-004	26230-023	25230-023
10	16	767	553	800			
11	20	945	553	500			
12	20	945	553	600	27230-005	26230-024	25230-024
13	20	945	553	800			
14	25	1167	553	500			
15	25	1167	553	600	27230-006	26230-025	25230-025
16	25	1167	553	800			
17	34	1567	553	500			
18	34	1567	553	600	27230-007	26230-026	25230-026
19	34	1567	553	800			
20	38	1745	553	500			
21	38	1745	553	600	27230-008	26230-027	25230-027
22	38	1745	553	800			
23	43	1967	553	500			
24	43	1967	553	600	27230-009	26230-028	25230-028
25	43	1967	553	800			
26	47	2145	553	500			
27	47	2145	553	600	27230-010	26230-029	25230-028
28	47	2145	553	800			

If you would like to have the individual components of your configured ServicePLUS cabinet fitted, please add the suffix /05 to the part number

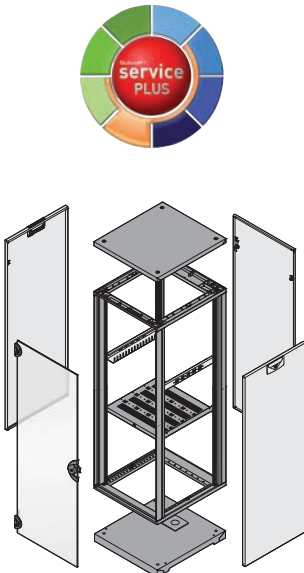
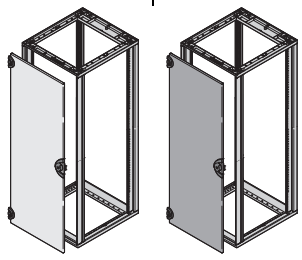
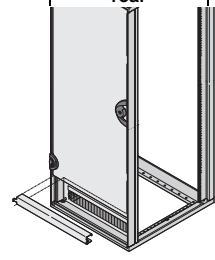
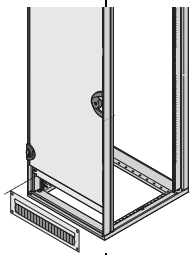


Further information www.schroff.biz/oneclick oneClick code = part number

Cabinets - NOVASTAR Service Plus

Cable ducting for steel doors

Order Information

					Cable ducting for steel door with door hinge bracket and frame							
					Steel door		Door hinge bracket for doors			Cable ducting frame		
					RAL 7035	RAL 7021	Slim-Line front	Slim-Line rear	Heavy-Duty front/rear	RAL 7035	RAL 7021	
					 <p style="font-size: small;">07011060 07011088</p> <p style="font-size: x-small;">St, 1.5 mm, lock (2233x) with 1 key, opening angle 180, incl. GND/earthing</p>		 <p style="font-size: small;">07011061</p> <p style="font-size: x-small;">door hinge bracket, St, 2 mm, RAL 7021; mounts above or below the door; requires 1 U assembly space</p>			 <p style="font-size: small;">07011061</p> <p style="font-size: x-small;">St, 2.5 mm, with black brush strip 1) Height 3 U 2) Height 4 U</p>		
					RAL 7035	RAL 7021	33 mm	60 mm	60 mm	RAL 7035	RAL 7021	
No.	Height U	Width mm	Depth mm	1 piece assembled	1 piece assembled	1 piece assembled	1 piece assembled	1 piece assembled	1 piece assembled			
1	6	357	553	500	-	-	-	-	-			
2	6	357	553	600	-	-	-	-	-			
3	9	456	553	500	-	-	-	-	-			
4	9	456	553	600	-	-	-	-	-			
5	12	589	553	500	-	-	-	-	-			
6	12	589	553	600	-	-	-	-	-			
7	12	589	553	800	-	-	-	-	-			
8	16	767	553	500	-	-	-	-	-			
9	16	767	553	600	26230-022	25230-022	27230-060	27230-061	27230-061	1) 20118-391 1) 20118-796		
10	16	767	553	800	-	-	-	-	-	-		
11	20	945	553	500	-	-	-	-	-	-		
12	20	945	553	600	26230-023	25230-023	27230-060	27230-061	27230-061	1) 20118-391 1) 20118-796		
13	20	945	553	800	-	-	-	-	-	-		
14	25	1167	553	500	-	-	-	-	-	-		
15	25	1167	553	600	26230-024	25230-024	27230-060	27230-061	27230-061	2) 20118-390 2) 20118-797		
16	25	1167	553	800	-	-	-	-	-	-		
17	34	1567	553	500	-	-	-	-	-	-		
18	34	1567	553	600	26230-030	25230-030	27230-060	27230-061	27230-061	2) 20118-390 2) 20118-797		
19	34	1567	553	800	-	-	-	-	-	-		
20	38	1745	553	500	-	-	-	-	-	-		
21	38	1745	553	600	26230-026	25230-026	27230-060	27230-061	27230-061	1) 20118-391 1) 20118-796		
22	38	1745	553	800	-	-	-	-	-	-		
23	43	1967	553	500	-	-	-	-	-	-		
24	43	1967	553	600	26230-027	25230-027	27230-060	27230-061	27230-061	2) 20118-390 2) 20118-797		
25	43	1967	553	800	-	-	-	-	-	-		
26	47	2145	553	500	-	-	-	-	-	-		
27	47	2145	553	600	26230-028	25230-028	27230-060	27230-061	27230-061	1) 20118-391 1) 20118-796		
28	47	2145	553	800	-	-	-	-	-	-		

If you would like to have the individual components of your configured ServicePLUS cabinet fitted, please add the suffix **/05** to the part number

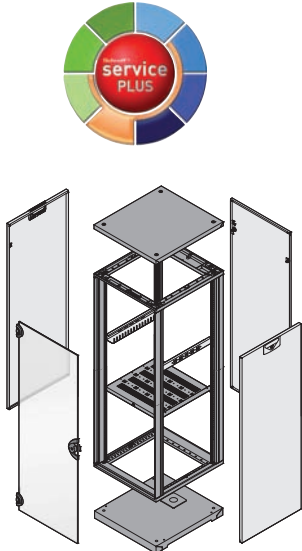
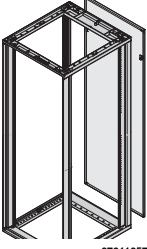
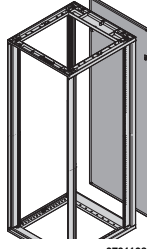
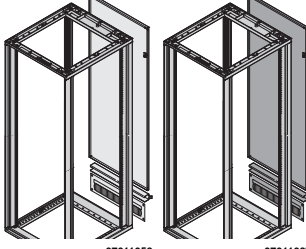


Further information www.schroff.biz/oneclick oneClick code = part number

Cabinets – NOVASTAR Service Plus

Rear panels

Order Information

					Rear panel		Rear panel with cable ducting		Rear panel lock
					 07011057 St, 1 mm; 2 twist-locking catches (Torx T30, with 1/4 turn); incl. GND/earthing		 07011086 St, 1 mm; 2 twist-locking catches (Torx T30, with 1/4 turn); incl. GND/earthing, cable ducting and door hinge bracket; cable ducting can be fitted at top or bottom, 3 U cable ducting for cabinet height 16, 20, 38, 47 U; 4 U cable ducting for cabinet height 25, 34, 43 U		 07011058 St, 1 mm; 2 twist-locking catches (Torx T30, with 1/4 turn); incl. GND/earthing, cable ducting and door hinge bracket; cable ducting can be fitted at top or bottom, 3 U cable ducting for cabinet height 16, 20, 38, 47 U; 4 U cable ducting for cabinet height 25, 34, 43 U
No.	Cabinet dimensions			RAL 7035	RAL 7021	RAL 7035	RAL 7021	PU 1 kit assembled	
	Height U	Width mm	Depth mm	1 piece assembled	1 piece assembled	PU 1 kit assembled	PU 1 kit assembled		
1	6	357	553	500					
2	6	357	553	600	26230-370	25230-370	-	27230-116	
3	9	456	553	500					
4	9	456	553	600	26230-371	25230-371	-	27230-116	
5	12	589	553	500					
6	12	589	553	600	26230-372	25230-372	-	27230-116	
7	12	589	553	800					
8	16	767	553	500					
9	16	767	553	600	26230-373	25230-373	26230-430	25230-430	27230-116
10	16	767	553	800					
11	20	945	553	500					
12	20	945	553	600	26230-374	25230-374	26230-434	25230-434	27230-116
13	20	945	553	800					
14	25	1167	553	500					
15	25	1167	553	600	26230-375	25230-375	26230-439	25230-439	27230-116
16	25	1167	553	800					
17	34	1567	553	500					
18	34	1567	553	600	26230-376	25230-376	26230-448	25230-448	27230-116
19	34	1567	553	800					
20	38	1745	553	500					
21	38	1745	553	600	26230-377	25230-377	26230-452	25230-452	27230-116
22	38	1745	553	800					
23	43	1967	553	500					
24	43	1967	553	600	26230-378	25230-378	26230-457	25230-457	27230-116
25	43	1967	553	800					
26	47	2145	553	500					
27	47	2145	553	600	26230-379	25230-379	26230-461	25230-461	27230-116
28	47	2145	553	800					

If you would like to have the individual components of your configured ServicePLUS cabinet fitted, please add the suffix /05 to the part number

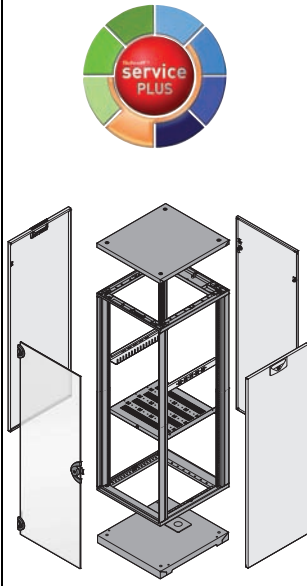
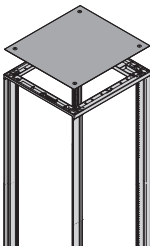
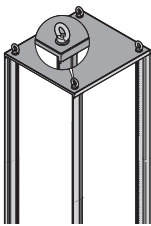
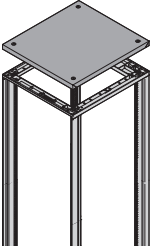
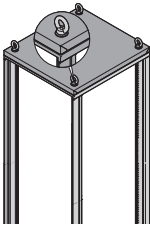


Further information www.schroff.biz/oneclick oneClick code = part number

Cabinets - NOVASTAR Service Plus

Top covers

Order Information

					Flush top cover		Raised top cover	
					Flush	Lifting eye	Raised	Lifting eye
					 07011063	 07011071	 07011064	 07011072
					St. 1 mm, RAL 7021, incl. GND/earthing	for flush cover; M12, application and load to DIN 582	St. 1 mm, RAL 7021, incl. GND/earthing, height 31 mm, air gap 10 mm	for raised cover or fan top cover; M12, application and load to DIN 582
Cabinet dimensions					1 piece assembled	PU 4 pieces assembled	1 piece assembled	PU 4 pieces assembled
No.	Height U	Width mm	Depth mm					
1	6	357	553	500	25230-001		25230-010	
2	6	357	553	600	25230-002	27230-066	25230-011	27230-065
3	9	456	553	500	25230-001		25230-010	
4	9	456	553	600	25230-002	27230-066	25230-011	27230-065
5	12	589	553	500	25230-001		25230-010	
6	12	589	553	600	25230-002	27230-066	25230-011	27230-065
7	12	589	553	800	25230-003		25230-012	
8	16	767	553	500	25230-001		25230-010	
9	16	767	553	600	25230-002	27230-066	25230-011	27230-065
10	16	767	553	800	25230-003		25230-012	
11	20	945	553	500	25230-001		25230-010	
12	20	945	553	600	25230-002	27230-066	25230-011	27230-065
13	20	945	553	800	25230-003		25230-012	
14	25	1167	553	500	25230-001		25230-010	
15	25	1167	553	600	25230-002	27230-066	25230-011	27230-065
16	25	1167	553	800	25230-003		25230-012	
17	34	1567	553	500	25230-001		25230-010	
18	34	1567	553	600	25230-002	27230-066	25230-011	27230-065
19	34	1567	553	800	25230-003		25230-012	
20	38	1745	553	500	25230-001		25230-010	
21	38	1745	553	600	25230-002	27230-066	25230-011	27230-065
22	38	1745	553	800	25230-003		25230-012	
23	43	1967	553	500	25230-001		25230-010	
24	43	1967	553	600	25230-002	27230-066	25230-011	27230-065
25	43	1967	553	800	25230-003		25230-012	
26	47	2145	553	500	25230-001		25230-010	
27	47	2145	553	600	25230-002	27230-066	25230-011	27230-065
28	47	2145	553	800	25230-003		25230-012	

If you would like to have the individual components of your configured ServicePLUS cabinet fitted, please add the suffix **/05** to the part number

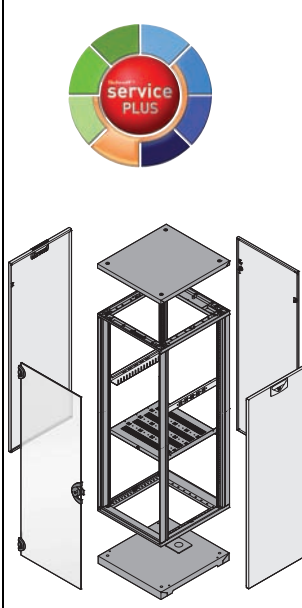


Further information www.schroff.biz/oneclick oneClick code = part number

Cabinets - NOVASTAR Service Plus

Fan top covers, lifting eye, thermostat, speed controller

Order Information

					Fan top cover (fan height 25 mm)		Fan top cover (fan height 38 mm)		Lifting eye	Thermostat	Speed control			
					Fan top cover with fans	Fan 84 ... 90 m³	Fan top cover with fans	Fan 162 ... 172 m³						
<p>St, RAL 7021, incl. GND/earthing and cabling; 2 fans for 500 mm depth, 4 cover caps; 3 fans for 600/800 mm depth, 3 cover caps; 0.5 m connector cable, IEC C14 plug</p>					<p>axial fan with protective grille, 230 V_{AC}, 8 W, 84 ... 90 m³/h, 29 ... 30 dB(A), height 25 mm; please order separately if additional fans are required</p>		<p>St, RAL 7021, incl. GND/earthing and cabling; 2 fans for 500 mm depth, 1 cover cap; 3 fans for 600/800 mm depth, 3 cover caps; 0.5 m connector cable, IEC C14 plug</p>		<p>for raised cover or fan top cover; M12, application and load to DIN 582</p>		<p>with mains cable 230 V_{AC} (SCHUKO/UTE plug/IEC 60320 C13 socket), adjustment range 0 ... 60°C</p>		<p>fully wired, 90 ... 264 V_{AC}, input SCHUKO/UTE plug, outlet IEC 60320 C13 socket, external NTC sensor 1.5 m</p>	
Cabinet dimensions					PU 1 kit assembled	1 piece assembled	PU 1 kit assembled	1 piece assembled	PU 4 pieces assembled	1 piece assembled	1 piece assembled			
No.	Height U	Width mm	Depth mm	mm										
1	6	357	553	500	27230-081		27230-085		27230-065	20118-750	60715-005			
2	6	357	553	600	27230-082	27230-077	27230-086	27230-078	27230-065	20118-750	60715-005			
3	9	456	553	500	27230-081		27230-085		27230-065	20118-750	60715-005			
4	9	456	553	600	27230-082	27230-077	27230-086	27230-078	27230-065	20118-750	60715-005			
5	12	589	553	500	27230-081		27230-085		27230-065	20118-750	60715-005			
6	12	589	553	600	27230-082	27230-077	27230-086	27230-078	27230-065	20118-750	60715-005			
7	12	589	553	800	27230-083		27230-087		27230-065	20118-750	60715-005			
8	16	767	553	500	27230-081		27230-085		27230-065	20118-750	60715-005			
9	16	767	553	600	27230-082	27230-077	27230-086	27230-078	27230-065	20118-750	60715-005			
10	16	767	553	800	27230-083		27230-087		27230-065	20118-750	60715-005			
11	20	945	553	500	27230-081		27230-085		27230-065	20118-750	60715-005			
12	20	945	553	600	27230-082	27230-077	27230-086	27230-078	27230-065	20118-750	60715-005			
13	20	945	553	800	27230-083		27230-087		27230-065	20118-750	60715-005			
14	25	1167	553	500	27230-081		27230-085		27230-065	20118-750	60715-005			
15	25	1167	553	600	27230-082	27230-077	27230-086	27230-078	27230-065	20118-750	60715-005			
16	25	1167	553	800	27230-083		27230-087		27230-065	20118-750	60715-005			
17	34	1567	553	500	27230-081		27230-085		27230-065	20118-750	60715-005			
18	34	1567	553	600	27230-082	27230-077	27230-086	27230-078	27230-065	20118-750	60715-005			
19	34	1567	553	800	27230-083		27230-087		27230-065	20118-750	60715-005			
20	38	1745	553	500	27230-081		27230-085		27230-065	20118-750	60715-005			
21	38	1745	553	600	27230-082	27230-077	27230-086	27230-078	27230-065	20118-750	60715-005			
22	38	1745	553	800	27230-083		27230-087		27230-065	20118-750	60715-005			
23	43	1967	553	500	27230-081		27230-085		27230-065	20118-750	60715-005			
24	43	1967	553	600	27230-082	27230-077	27230-086	27230-078	27230-065	20118-750	60715-005			
25	43	1967	553	800	27230-083		27230-087		27230-065	20118-750	60715-005			
26	47	2145	553	500	27230-081		27230-085		27230-065	20118-750	60715-005			
27	47	2145	553	600	27230-082	27230-077	27230-086	27230-078	27230-065	20118-750	60715-005			
28	47	2145	553	800	27230-083		27230-087		27230-065	20118-750	60715-005			

If you would like to have the individual components of your configured ServicePLUS cabinet fitted, please add the suffix /05 to the part number

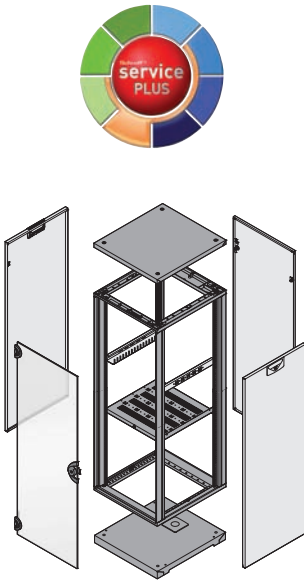


Further information www.schroff.biz/oneclick oneClick code = part number

Cabinets - NOVASTAR Service Plus

Floors, plinths

Order Information

					Base plates			Bases/plinths		Mobile bases/ plinths
					Base plate, rear open	Cover plate	Brush strip	With cable ducting	Brush strip	
Cabinet dimensions										
No.	Height U	mm	Width mm	Depth mm	1 piece assembled	1 piece assembled	1 piece assembled	1 piece assembled	1 piece assembled	1 piece assembled
1	6	357	553	500	27230-091			27230-070		27230-146
2	6	357	553	600	27230-092	27230-114	27230-079	27230-071	27230-111	27230-147
3	9	456	553	500	27230-091			27230-070		27230-146
4	9	456	553	600	27230-092	27230-114	27230-079	27230-071	27230-111	27230-147
5	12	589	553	500	27230-091			27230-070		27230-146
6	12	589	553	600	27230-092	27230-114	27230-079	27230-071	27230-111	27230-147
7	12	589	553	800	27230-093			27230-072		27230-148
8	16	767	553	500	27230-091			27230-070		27230-146
9	16	767	553	600	27230-092	27230-114	27230-079	27230-071	27230-111	27230-147
10	16	767	553	800	27230-093			27230-072		27230-148
11	20	945	553	500	27230-091			27230-070		27230-146
12	20	945	553	600	27230-092	27230-114	27230-079	27230-071	27230-111	27230-147
13	20	945	553	800	27230-093			27230-072		27230-148
14	25	1167	553	500	27230-091			27230-070		27230-146
15	25	1167	553	600	27230-092	27230-114	27230-079	27230-071	27230-111	27230-147
16	25	1167	553	800	27230-093			27230-072		27230-148
17	34	1567	553	500	27230-091			27230-070		27230-146
18	34	1567	553	600	27230-092	27230-114	27230-079	27230-071	27230-111	27230-147
19	34	1567	553	800	27230-093			27230-072		27230-148
20	38	1745	553	500	27230-091			27230-070		27230-146
21	38	1745	553	600	27230-092	27230-114	27230-079	27230-071	27230-111	27230-147
22	38	1745	553	800	27230-093			27230-072		27230-148
23	43	1967	553	500	27230-091			27230-070		27230-146
24	43	1967	553	600	27230-092	27230-114	27230-079	27230-071	27230-111	27230-147
25	43	1967	553	800	27230-093			27230-072		27230-148
26	47	2145	553	500	27230-091			27230-070		27230-146
27	47	2145	553	600	27230-092	27230-114	27230-079	27230-071	27230-111	27230-147
28	47	2145	553	800	27230-093			27230-072		27230-148

If you would like to have the individual components of your configured ServicePLUS cabinet fitted, please add the suffix /05 to the part number

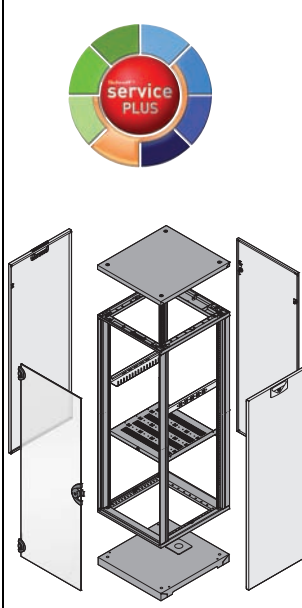
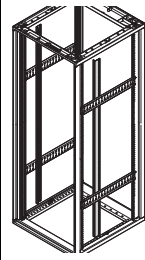
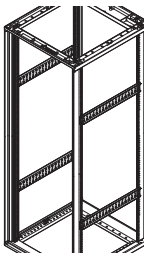
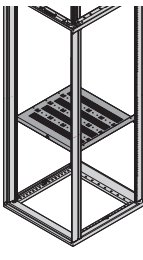
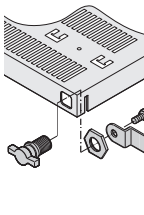
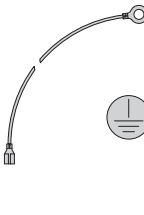
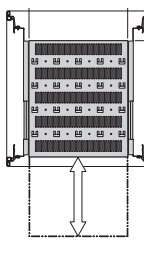
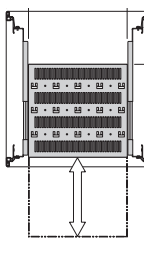


Further information www.schroff.biz/oneclick oneClick code = part number

Cabinets - NOVASTAR Service Plus

19" panel/slide mounts, depth members, shelves

Order Information

				 07011111	 07011112	 07011077	Telescopic shelf, 2 U, 70 kg		 01004125	 aza43284	
				St, 2 mm, RAL 7035, load-carrying capacity 400 kg	St, 1.5 mm, finish AlZn; for mounting 19" pitch profiles	St, 1.5 mm, RAL 7021, with perforation, static load-carrying capacity 75 kg	 07011101	 07011102			St, 1.5 mm, RAL 7021, static load-carrying capacity when fully extended 70 kg, incl. telescopic slide; please order T-bar lock and GND/earthing kit separately
Cabinet dimensions				PU 2 pieces assembled	PU 2 pieces assembled	1 piece assembled	1 piece assembled	1 piece assembled	1 piece assembled	PU 1 kit assembled	
No.	U	Height mm	Width mm	Depth mm							
1	6	357	553	500	27230-200	27230-121	27230-051	21130-357	21130-358	23130-092	21120-189
2	6	357	553	600		27230-122	27230-052	21130-353	21130-352		
3	9	456	553	500	27230-201	27230-121	27230-051	21130-357	21130-358	23130-092	21120-189
4	9	456	553	600		27230-122	27230-052	21130-353	21130-352		
5	12	589	553	500	27230-202	27230-121	27230-051	21130-357	21130-358	23130-092	21120-189
6	12	589	553	600		27230-122	27230-052	21130-353	21130-352		
7	12	589	553	800		27230-123	27230-053	21130-355	21130-354		
8	16	767	553	500	27230-203	27230-121	27230-051	21130-357	21130-358	23130-092	21120-189
9	16	767	553	600		27230-122	27230-052	21130-353	21130-352		
10	16	767	553	800		27230-123	27230-053	21130-355	21130-354		
11	20	945	553	500	27230-204	27230-121	27230-051	21130-357	21130-358	23130-092	21120-189
12	20	945	553	600		27230-122	27230-052	21130-353	21130-352		
13	20	945	553	800		27230-123	27230-053	21130-355	21130-354		
14	25	1167	553	500	27230-205	27230-121	27230-051	21130-357	21130-358	23130-092	21120-189
15	25	1167	553	600		27230-122	27230-052	21130-353	21130-352		
16	25	1167	553	800		27230-123	27230-053	21130-355	21130-354		
17	34	1567	553	500	27230-206	27230-121	27230-051	21130-357	21130-358	23130-092	21120-189
18	34	1567	553	600		27230-122	27230-052	21130-353	21130-352		
19	34	1567	553	800		27230-123	27230-053	21130-355	21130-354		
20	38	1745	553	500	27230-207	27230-121	27230-051	21130-357	21130-358	23130-092	21120-189
21	38	1745	553	600		27230-122	27230-052	21130-353	21130-352		
22	38	1745	553	800		27230-123	27230-053	21130-355	21130-354		
23	43	1967	553	500	27230-208	27230-121	27230-051	21130-357	21130-358	23130-092	21120-189
24	43	1967	553	600		27230-122	27230-052	21130-353	21130-352		
25	43	1967	553	800		27230-123	27230-053	21130-355	21130-354		
26	47	2145	553	500	27230-209	27230-121	27230-051	21130-357	21130-358	23130-092	21120-189
27	47	2145	553	600		27230-122	27230-052	21130-353	21130-352		
28	47	2145	553	800		27230-123	27230-053	21130-355	21130-354		

If you would like to have the individual components of your configured ServicePLUS cabinet fitted, please add the suffix /05 to the part number

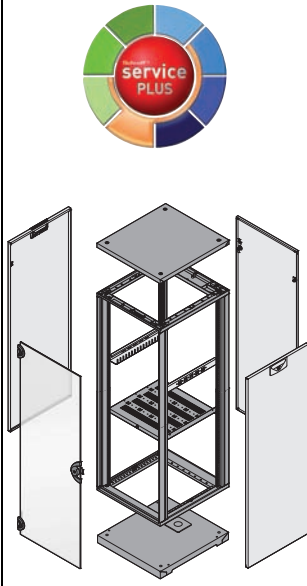
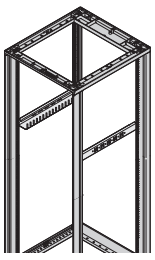
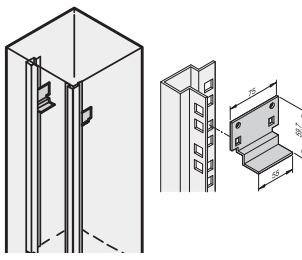


Further information www.schroff.biz/oneclick oneClick code = part number

Cabinets - NOVASTAR Service Plus

Slide rails

Order Information

					Slide rail			
					Slide rail	Short slide rail		
					 07011078 St, 1.5 mm, finish AlZn, static load-carrying capacity 25 kg/pair	 ERA46348 sc96xxxx St, 1.5 mm, finish AlZn, static load-carrying capacity 15 kg/pair		
Cabinet dimensions					PU 2 pieces assembled	PU 2 pieces enclosed loose	PU 10 pieces enclosed loose	
No.	Height U	mm	Width mm	Depth mm				
1	6	357	553	500	27230-102			
2	6	357	553	600	27230-103	27230-125	27230-126	
3	9	456	553	500	27230-102			
4	9	456	553	600	27230-103	27230-125	27230-126	
5	12	589	553	500	27230-102			
6	12	589	553	600	27230-103	27230-125	27230-126	
7	12	589	553	800	27230-104			
8	16	767	553	500	27230-102			
9	16	767	553	600	27230-103	27230-125	27230-126	
10	16	767	553	800	27230-104			
11	20	945	553	500	27230-102			
12	20	945	553	600	27230-103	27230-125	27230-126	
13	20	945	553	800	27230-104			
14	25	1167	553	500	27230-102			
15	25	1167	553	600	27230-103	27230-125	27230-126	
16	25	1167	553	800	27230-104			
17	34	1567	553	500	27230-102			
18	34	1567	553	600	27230-103	27230-125	27230-126	
19	34	1567	553	800	27230-104			
20	38	1745	553	500	27230-102			
21	38	1745	553	600	27230-103	27230-125	27230-126	
22	38	1745	553	800	27230-104			
23	43	1967	553	500	27230-102			
24	43	1967	553	600	27230-103	27230-125	27230-126	
25	43	1967	553	800	27230-104			
26	47	2145	553	500	27230-102			
27	47	2145	553	600	27230-103	27230-125	27230-126	
28	47	2145	553	800	27230-104			

If you would like to have the individual components of your configured ServicePLUS cabinet fitted, please add the suffix **/05** to the part number; for loose enclosed products please add the suffix **/35** to the part number



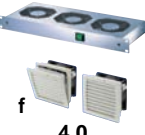


Further information www.schroff.biz/oneclick oneClick code = part number

Cabinets – NOVASTAR Service Plus

Cable ties, Velcro-type tape

Order Information

Cabinet dimensions				Cable tie	Velcro	General components	
No.	U	Height mm	Width mm	Depth mm	PU 25 pieces supplied loose	PU 10 pieces supplied loose	
1	6	357	553	500	01005078 plastic, 92 mm x 2.5 mm;	01005079 black, length 300 mm,	Mechanics  from page 3.2
2	6	357	553	600			
3	9	456	553	500	Power distribution  from page 3.50		
4	9	456	553	600		Climate control  f 4.0	
5	12	589	553	500			
6	12	589	553	600			
7	12	589	553	800			
8	16	767	553	500			
9	16	767	553	600			
10	16	767	553	800			
11	20	945	553	500			
12	20	945	553	600			
13	20	945	553	800			
14	25	1167	553	500			
15	25	1167	553	600			
16	25	1167	553	800			
17	34	1567	553	500			
18	34	1567	553	600			
19	34	1567	553	800			
20	38	1745	553	500			
21	38	1745	553	600			
22	38	1745	553	800			
23	43	1967	553	500			
24	43	1967	553	600			
25	43	1967	553	800			
26	47	2145	553	500			
27	47	2145	553	600			
28	47	2145	553	800			

If you would like to have the individual components of your configured ServicePLUS cabinet fitted, please add the suffix /05 to the part number; for loose enclosed products please add the suffix /35 to the part number



Further information www.schroff.biz/oneclick oneClick code = part number