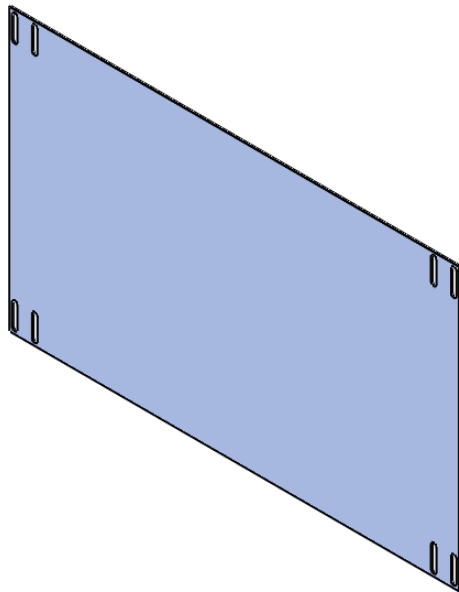


ISO VIEW  
1:4



		UNLESS OTHERWISE SPECIFIED: DIMENSIONS ARE IN MILLIMETERS		DO NOT SCALE DRAWING	REVISION. 0
		GENERAL TOLERANCES +/- 0.2		TITLE: GENERAL DRAWING FOR MOUNTING PLATE 110 SERIES INTRUMENT CASE	
60 JAMES CARTER RD. MILDENHALL SUFFOLK. IP28 7DE TEL: 01638 716101 FAX: 01638 716554 EMAIL: SALES@CAMDENBOSS.COM WEB: WWW.CAMDENBOSS.COM		FINISH: SMOOTH		DWG NO. CDICMP006	
DRAWN	NAME MATTHEW WALLACE	SIGNED MJW	DATE 16/08/11	MATERIAL. 1mm THK STEEL ZINC COATED	
CHK'D	-	-	-	PROJECTION.	SCALE: 1 : 4
				SHEET 1 OF 1	

A4