

## DETAILS

<b>Product Number</b>	C12041_EVA-S
<b>Family</b>	Eva
<b>Type</b>	Lens
<b>Color</b>	clear
<b>Diameter</b>	35 mm
<b>Height</b>	16,4 mm
<b>Style</b>	round
<b>Optic Material</b>	PMMA
<b>Holder Material</b>	
<b>Fastening</b>	
<b>Status</b>	ready
<b>ROHS Compliant</b>	Yes
<b>Date Updated</b>	1/03/2013

## OPTICAL PROPERTIES

LED	Viewing	Light	Effi-		
	Angle	Beam	ciency	cd/lm	Connector
XM-L HVW	sim: 13	Spot	90 %	-	-
XP-G2	sim: 10	Spot	sim: 94 %	sim: 0.000	-
XM-L	13 deg	Spot	94 %	-	-
NSMx286M	17 deg	Spot	93 %	6.370	-

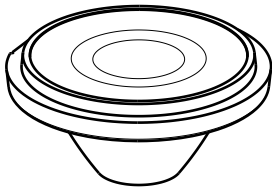


D

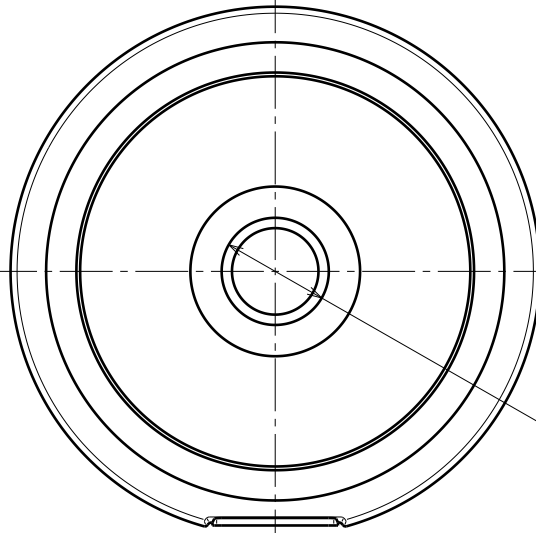
C

B

A



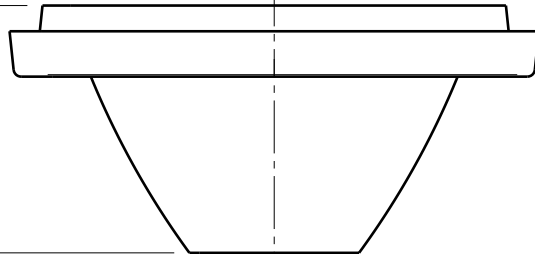
Isometric view



Bottom view

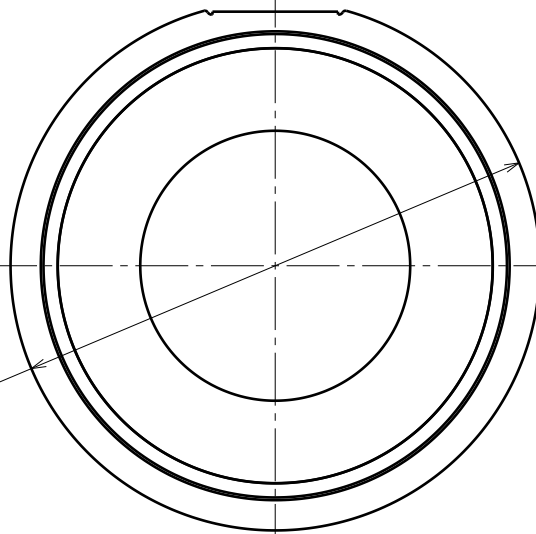
Ø 6.8

Ø 30.5



Side view

16.4



Top view

Ø 35

Tolerances if not otherwise shown:  
 According to DIN ISO 2768-1  
 Linear measures:  
 Up to 30mm class M, otherwise class C.

According to DIN ISO 2768-2  
 Form and position:  
 class L

Raw material(s):  
 PMMA 8N

This drawing is our property.  
 It can't be reproduced  
 or communicated without  
 our written agreement.



Ledil Oy  
 Salorankatu 10  
 24100 SALO  
 Finland

DRAWING TITLE

Datasheet Eva Spot Lens

DRAWN BY  
 ah

DATE  
 1.3.2013

CHECKED BY

DATE

SIZE  
 A4

DRAWING NUMBER

C12041

REV  
 1

DESIGNED BY  
 HH

DATE  
 26.08.2008

SCALE

2:1

WEIGHT (g)

SHEET

1/1

D

A

4

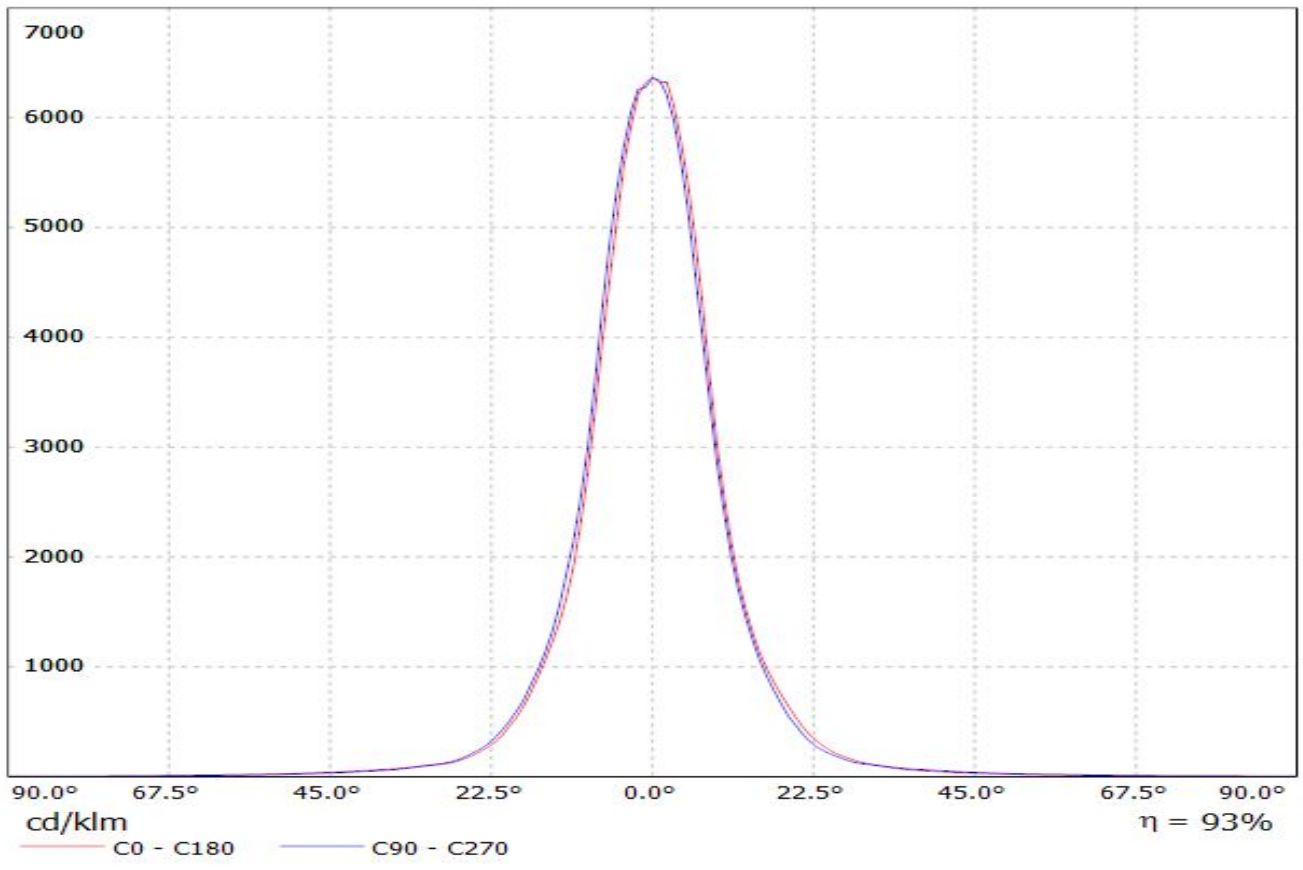
3

2

1

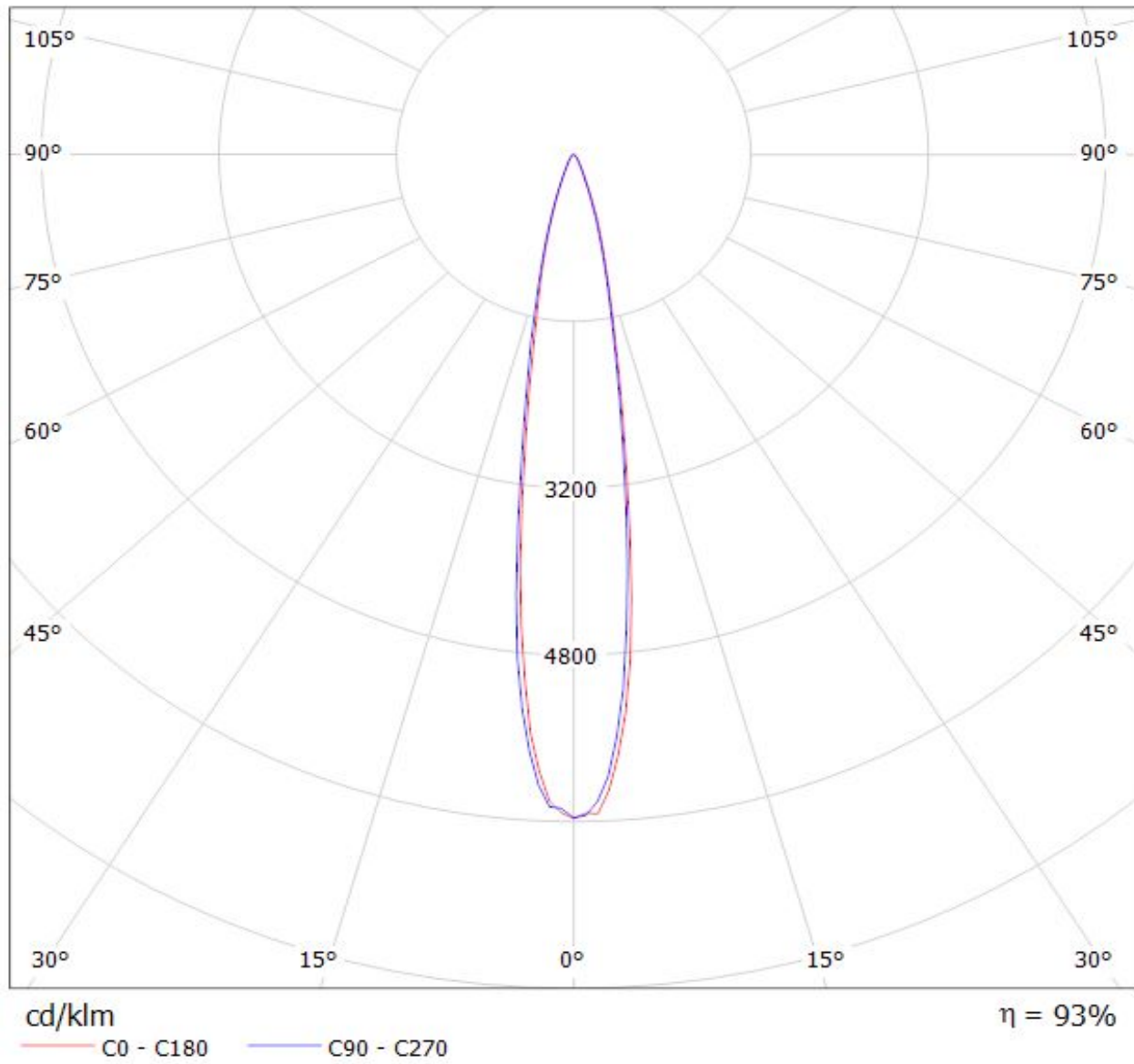
1

Luminaire: LEDiL Oy C12041\_EVA-S (NICHIA\_286) Eff.93%  
Lamps: 1 x NICHIA\_286\_(NSML286ME) 322.274lm@100mA CCT=3000K P=3.42532W I=100.1mA



Luminaire: LEDiL Oy C12041\_EVA-S\_(NICHIA\_286) Eff.93%

Lamps: 1 x NICHIA\_286\_(NSML286ME) 322.274lm@100mA CCT=3000K P=3.42532W I=100.1mA



**NOTE: The typical divergence will be changed by different color, chip size and chip position tolerance. The typical total divergence is the full angle measured where the luminous intensity is half of the peak value.**