

# Lumination™ LED Luminaires

BL Series



## Product information

BL Series brings the stunning style and performance of Lumination™ LED solutions to linear installations. These luminaires produce aesthetically pleasing diffused light with minimal glare.

## Features & benefits

- Sleek, clean styling with white frame
- Uniform light distribution
- Choice of design aesthetic and superior performances
- Uniform illuminating surface: no led “dots”
- Sustainable green choice for Energy Saving
- Up to 85 lm/W delivered at 4000K
- RoHS compliant, mercury free.
- Durable and reliable
- Continuously dimmable (1-10V or DALI)
- Long life (50,000 hours @ L85)
- Enhanced emotional light experience – UGR <19/22
- Compliant to photo biological safety standard
- No IR or UV radiation
- Ease of install & maintenance
- Recessed in suspended ceilings
- Compatible with sensors and external controls

## Applications

Perfect for applications that include conference rooms, open offices, lobbies, retail settings, anywhere you want to make a statement. Imagine what you can do with this clearly unique fixture. Its immaculate design aesthetic is unlike anything you’ve seen before. Main application areas include:

- Office
- Retail
- Education
- Healthcare
- Hospitality



## Ordering Data

### BL44 – 1200mm×100mm

Product Code	Product Description	Colour Temperature [K]	Watt [W]	Beam Pattern	Lumen [lm]	Ceiling Type	Dimming Controller
68267	BL447A1AVWHTe 100x1200 0-10V 3000K MED	3000	37	Medium	3000	15/24mm tee grid 15/8 mm designer tee grid. <i>See Grid Compatibility details.</i>	1-10V
68265	BL447A2AVWHTe 100x1200 0-10V 3500K MED	3500	37	Medium	3000		1-10V
68266	BL447A3AVWHTe 100x1200 0-10V 4000K MED	4000	37	Medium	3000		1-10V
68270	BL447A1ADWHTe 100x1200 DALI 3000K MED	3000	37	Medium	3000		DALI
68268	BL447A2ADWHTe 100x1200 DALI 3500K MED	3500	37	Medium	3000		DALI
68269	BL447A3ADWHTe 100x1200 DALI 4000K MED	4000	37	Medium	3000		DALI
69392	BL447A4AVWHTe 100x1200 0-10V 3000K MED	3000	25	Medium	2000		1-10V
69390	BL447A5AVWHTe 100x1200 0-10V 3500K MED	3500	25	Medium	2000		1-10V
69391	BL447A6AVWHTe 100x1200 0-10V 4000K MED	4000	25	Medium	2000		1-10V
69395	BL447A4ADWHTe 100x1200 DALI 3000K MED	3000	25	Medium	2000		DALI
69393	BL447A5ADWHTe 100x1200 DALI 3500K MED	3500	25	Medium	2000		DALI
69394	BL447A6ADWHTe 100x1200 DALI 4000K MED	4000	25	Medium	2000		DALI
68273	BL447B1AVWHTe 100x1200 0-10V 3000K NAR	3000	25	Narrow	1700		1-10V
68271	BL447B2AVWHTe 100x1200 0-10V 3500K NAR	3500	25	Narrow	1700		1-10V
68272	BL447B3AVWHTe 100x1200 0-10V 4000K NAR	4000	25	Narrow	1700		1-10V
68276	BL447B1ADWHTe 100x1200 DALI 3000K NAR	3000	25	Narrow	1700		DALI
68274	BL447B2ADWHTe 100x1200 DALI 3500K NAR	3500	25	Narrow	1700		DALI
68275	BL447B3ADWHTe 100x1200 DALI 4000K NAR	4000	25	Narrow	1700		DALI

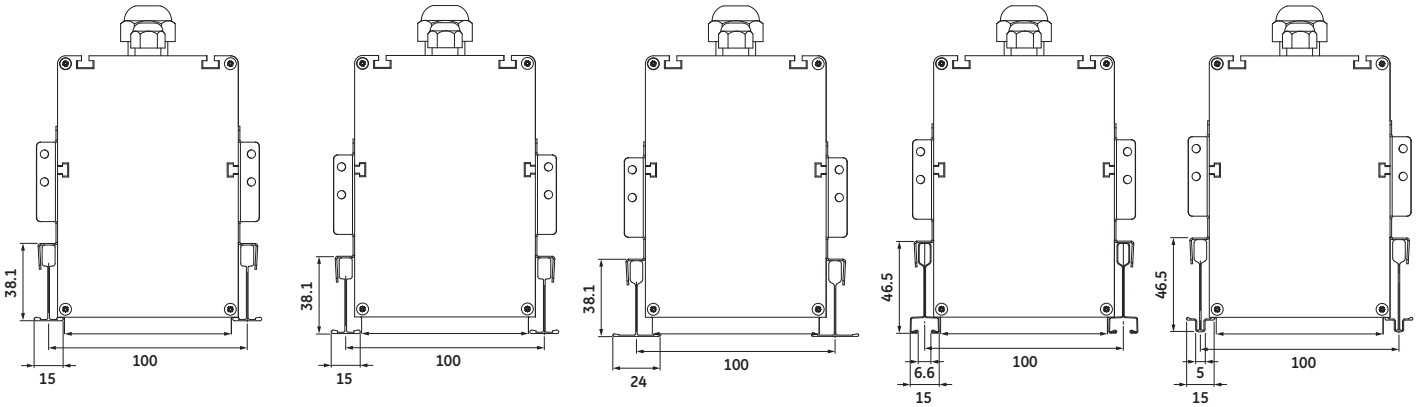
### BL45 – 1500mm×100mm

Product Code	Product Description	Colour Temperature [K]	Watt [W]	Beam Pattern	Lumen [lm]	Ceiling Type	Dimming Controller
68219	BL457A1AVWHTe 100x1500 0-10V 3000K MED	3000	45	Medium	3750	15/24mm tee grid 15/8 mm designer tee grid. <i>See Grid Compatibility details.</i>	1-10V
68217	BL457A2AVWHTe 100x1500 0-10V 3500K MED	3500	45	Medium	3750		1-10V
68218	BL457A3AVWHTe 100x1500 0-10V 4000K MED	4000	45	Medium	3750		1-10V
68222	BL457A1ADWHTe 100x1500 DALI 3000K MED	3000	45	Medium	3750		DALI
68220	BL457A2ADWHTe 100x1500 DALI 3500K MED	3500	45	Medium	3750		DALI
68221	BL457A3ADWHTe 100x1500 DALI 4000K MED	4000	45	Medium	3750		DALI
69368	BL457A4AVWHTe 100x1500 0-10V 3000K MED	3000	30	Medium	2600		1-10V
69366	BL457A5AVWHTe 100x1500 0-10V 3500K MED	3500	30	Medium	2600		1-10V
69367	BL457A6AVWHTe 100x1500 0-10V 4000K MED	4000	30	Medium	2600		1-10V
69371	BL457A4ADWHTe 100x1500 DALI 3000K MED	3000	30	Medium	2600		DALI
69369	BL457A5ADWHTe 100x1500 DALI 3500K MED	3500	30	Medium	2600		DALI
69370	BL457A6ADWHTe 100x1500 DALI 4000K MED	4000	30	Medium	2600		DALI
68225	BL457B1AVWHTe 100x1500 0-10V 3000K NAR	3000	30	Narrow	2200		1-10V
68223	BL457B2AVWHTe 100x1500 0-10V 3500K NAR	3500	30	Narrow	2200		1-10V
68224	BL457B3AVWHTe 100x1500 0-10V 4000K NAR	4000	30	Narrow	2200		1-10V
68228	BL457B1ADWHTe 100x1500 DALI 3000K NAR	3000	30	Narrow	2200		DALI
68226	BL457B2ADWHTe 100x1500 DALI 3500K NAR	3500	30	Narrow	2200		DALI
68227	BL457B3ADWHTe 100x1500 DALI 4000K NAR	4000	30	Narrow	2200		DALI

# Specifications

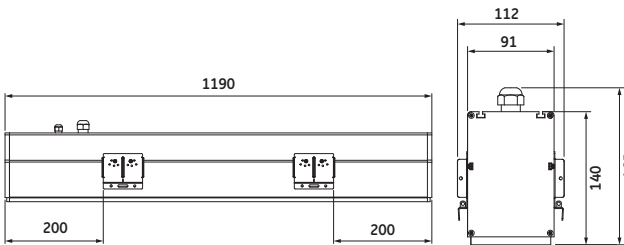
	BL44	BL45
Input Voltage [V]	(120) 220-240	(120) 220-240
Input Power [W]	High: 37, Medium/Narrow: 25	High: 45, Medium/Narrow: 30
Input Frequency [Hz]	50/60	50/60
Power Factor	> 0.9	> 0.9
Lumen Output [lm]	High: 3000 Medium: 2000 Narrow: 1700	High: 3750 Medium: 2600 Narrow: 2200
CCT [K]	3000 / 3500 / 4000	3000 / 3500 / 4000
CRI	80+	80+
Efficiency [lm/W]	High/Medium: 80 Narrow: 70	High: 85 Medium: 80 Narrow: 75
Control	1-10V or DALI	1-10V or DALI
Ceilings	15mm or 24mm exposed tee grid & 15mm / 8mm designer grid	15mm or 24mm exposed tee grid & 15mm / 8mm designer grid
Life [L%, h]	50,000 [L85]	50,000 [L85]
Warranty [years]	5	5
Files Available	LM79, LM80, TM21 & IES	LM79, LM80, TM21 & IES
Dimensions [mm] (with electrical enclosure)	1190 × 165 × 112	1490 × 165 × 112
Weight [kg]	Medium: 6.6 Narrow: 6.7	Medium: 8.0 Narrow: 8.2
Operating Temperature Range [°C]	-10 to +35	-10 to +35
Storage Temperature Range [°C]	-40 to +60	-40 to +60
UGR	<19 in case of narrow beam pattern for office applications in compliance with EN 12464	<19 in case of narrow beam pattern for office applications in compliance with EN 12464
IP Rating	IP30	IP30

## Grid Compatibility

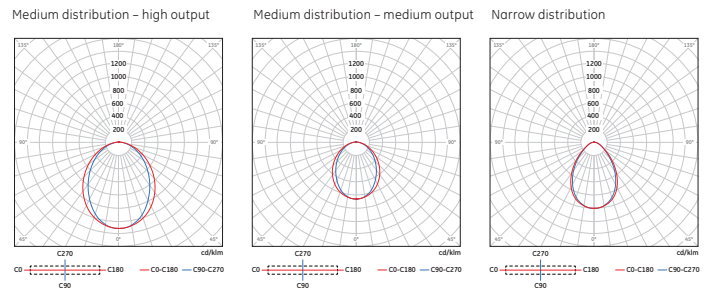


## Dimensions [mm]

### BL44



## Polar Distribution



### BL45

