

**Ordering number CN13110_LENINA-S**

Family	Lenina	FWHM	24 degrees
Type	Pack	Efficiency	89 %
LED	Soleriq E30	cd/lm	3.000
Color	Metal	Gerber File	Available
Diameter	74 mm		
Height	44.6 mm		
Style	Round		
Optic Material	PC		
Holder Material	PC		
Fastening	Socket, screw, socket		
Status	Ready		

Reflector twist-and-locks into included base part that holds COE

**Ordering number CN13113_LENINA-S-DL**

Family	Lenina	FWHM	26 degrees
Type	Pack	Efficiency	82 %
LED	Soleriq E30	cd/lm	2.200
Color	Metal	Gerber File	Available
Diameter	74 mm		
Height	46.4 mm		
Style	Round		
Optic Material	PC		
Holder Material	PC		
Fastening	Socket, screw, socket		
Status	Ready		

Reflector twist-and-locks into included base part that holds COE

**Ordering number CN13111_LENINA-M**

Family	Lenina	FWHM	39 degrees
Type	Pack	Efficiency	88 %
LED	Soleriq E30	cd/lm	1.550
Color	Metal	Gerber File	Available
Diameter	74 mm		
Height	44.6 mm		
Style	Round		
Optic Material	PC		
Holder Material	PC		
Fastening	Screw, socket, socket		
Status	Ready		

Reflector twist-and-locks into included base part that holds COE

**Ordering number CN13114_LENINA-M-DL**

Family	Lenina	FWHM	42 degrees
Type	Pack	Efficiency	81 %
LED	Soleriq E30	cd/lm	1.250
Color	Metal	Gerber File	Available
Diameter	74 mm		
Height	46.4 mm		
Style	Round		
Optic Material	PC		
Holder Material	PC		
Fastening	Screw, socket, socket		
Status	Ready		

Reflector twist-and-locks into included base part that holds COE

**Ordering number CN13115_LENINA-W-DL**

Family	Lenina	FWHM	61 degrees
Type	Pack	Efficiency	80 %
LED	Soleriq E30	cd/lm	0.800
Color	Metal	Gerber File	Available
Diameter	74 mm		
Height	46.4 mm		
Style	Round		Reflector twist-and-locks into included base part that holds COE
Optic Material	PC		
Holder Material	PC		
Fastening	Screw, socket, socket		
Status	Ready		

**Ordering number CN13112_LENINA-W**

Family	Lenina	FWHM	64 degrees
Type	Pack	Efficiency	87 %
LED	Soleriq E30	cd/lm	0.900
Color	Metal	Gerber File	Available
Diameter	74 mm		
Height	44.6 mm		
Style	Round		Reflector twist-and-locks into included base part that holds COE
Optic Material	PC		
Holder Material	PC		
Fastening	Socket, screw, socket		
Status	Ready		

NOTE: The typical divergence will be changed by different color, chip size and chip position tolerance. The typical total divergence is the full angle measured where the luminous intensity is half of the peak value.



PRODUCT DATASHEET

Lenina series

last update 30/10/2012



GENERAL INFORMATION

- Product series especially designed & optimized for Soleriq E30 series of LEDs.
- Special care taken to make light distribution as uniform as possible.
- Lens material optical grade PC with high UV and temperature resistance (120 degrees of Celcius / 248 degrees of Fahrenheit). Allows use of high current and temperature conditions.

Please find more information about used materials from below:

http://ledil.fi/sites/default/files/Documents/Technical/Material/PC%20Makrolon%202400_2407_2456_2458-UL.pdf

- Reflector is made of aluminium coated PC (120 degrees of Celcius / 248 degrees of Fahrenheit) with protective lacquer (110 degrees of Celcius / 230 degrees of Fahrenheit).
- Optic holder molded by high quality PC material (120 dergees of Celcius / 248 degrees of Fahrenheit).

D

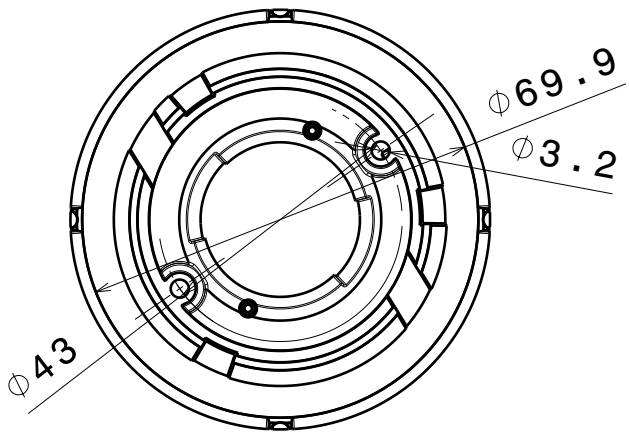
C

B

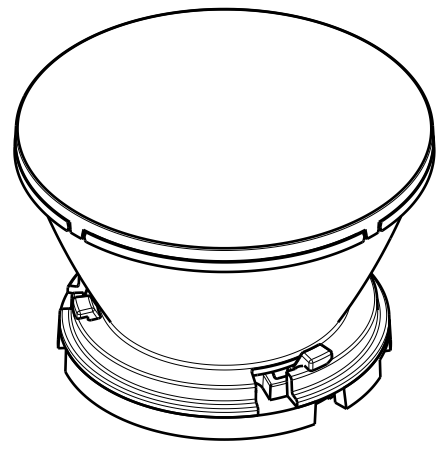
A

4

4



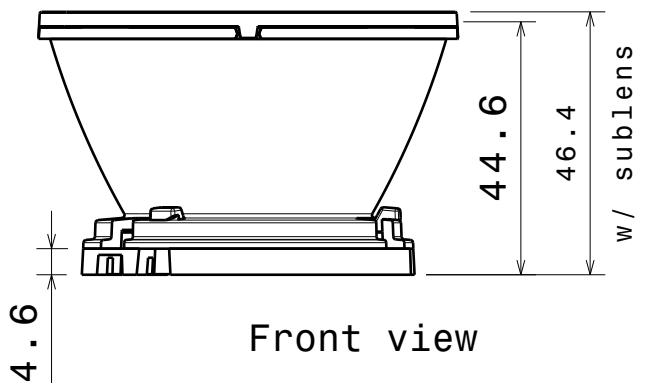
Bottom view



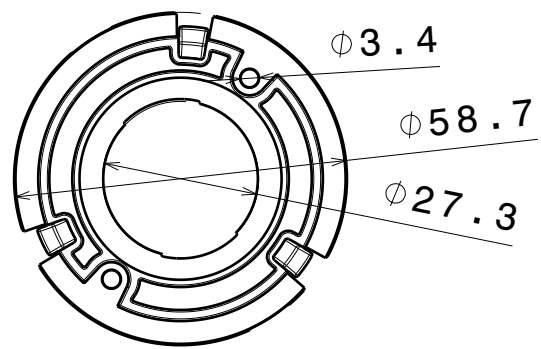
Isometric view

3

3

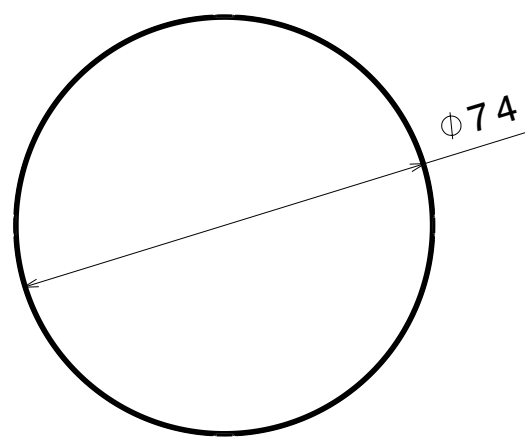


Front view



2

2



Top view

Material:

sublens
- PC

Reflector

- PC
- Metal coating and clear lacquer

Holder base

- PC
- Color white

This drawing is our property.
It can't be reproduced
or communicated without
our written agreement.

LEDiL LediL Oy
Salorankatu 10
FIN 24240 SALO
Finland

DRAWING TITLE | Part Drawing

DRAWN BY
as

DATE
7.8.2012

LENINA-SOLERIQ-E30 Mechanical drawing

CHECKED BY
SN

DATE
-

SIZE | PART NUMBER | REV
A4 | | 001

DESIGNED BY
PL

DATE
-

SCALE | WEIGHT | SHEET | 1/1
3:4 | | |

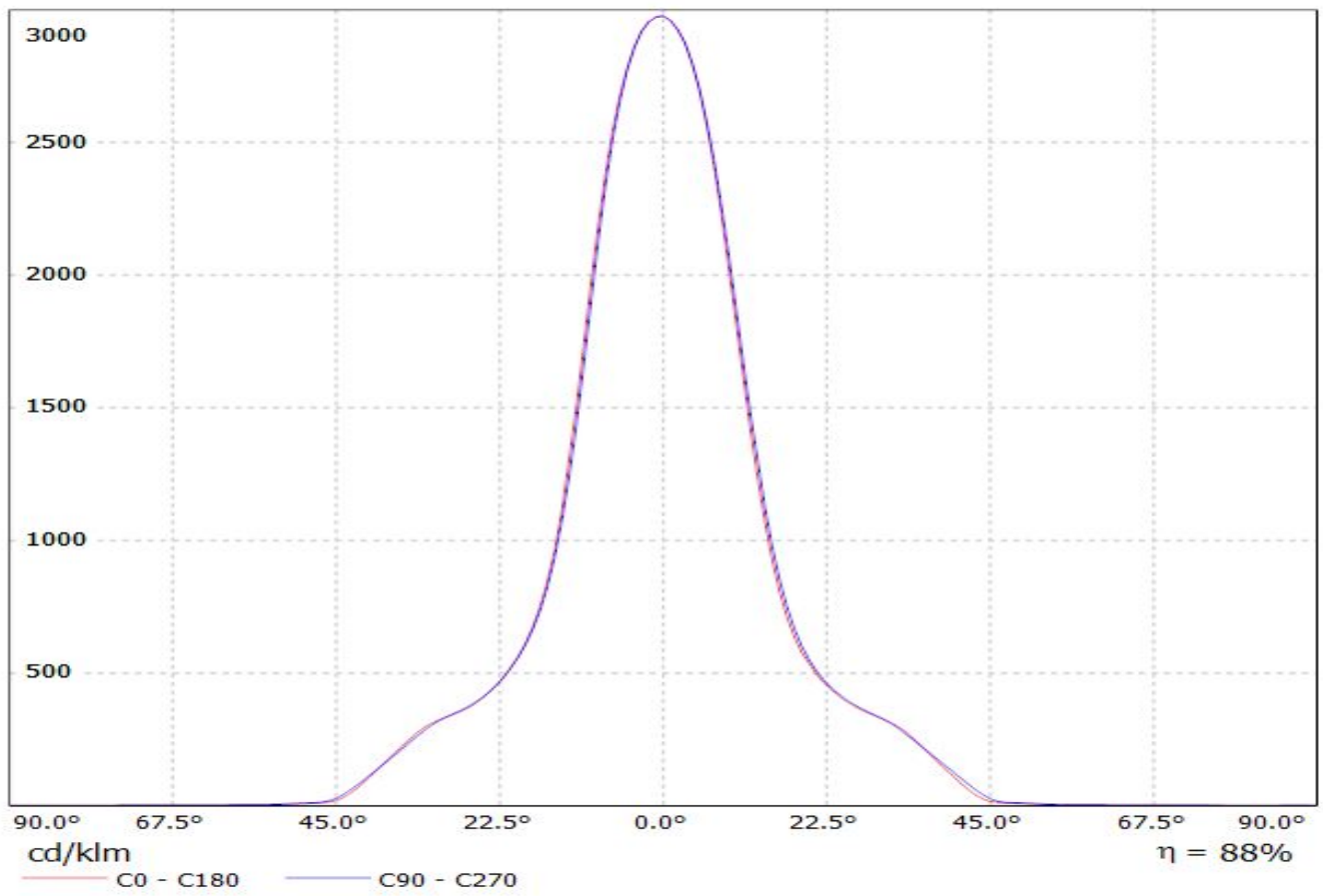
D

A

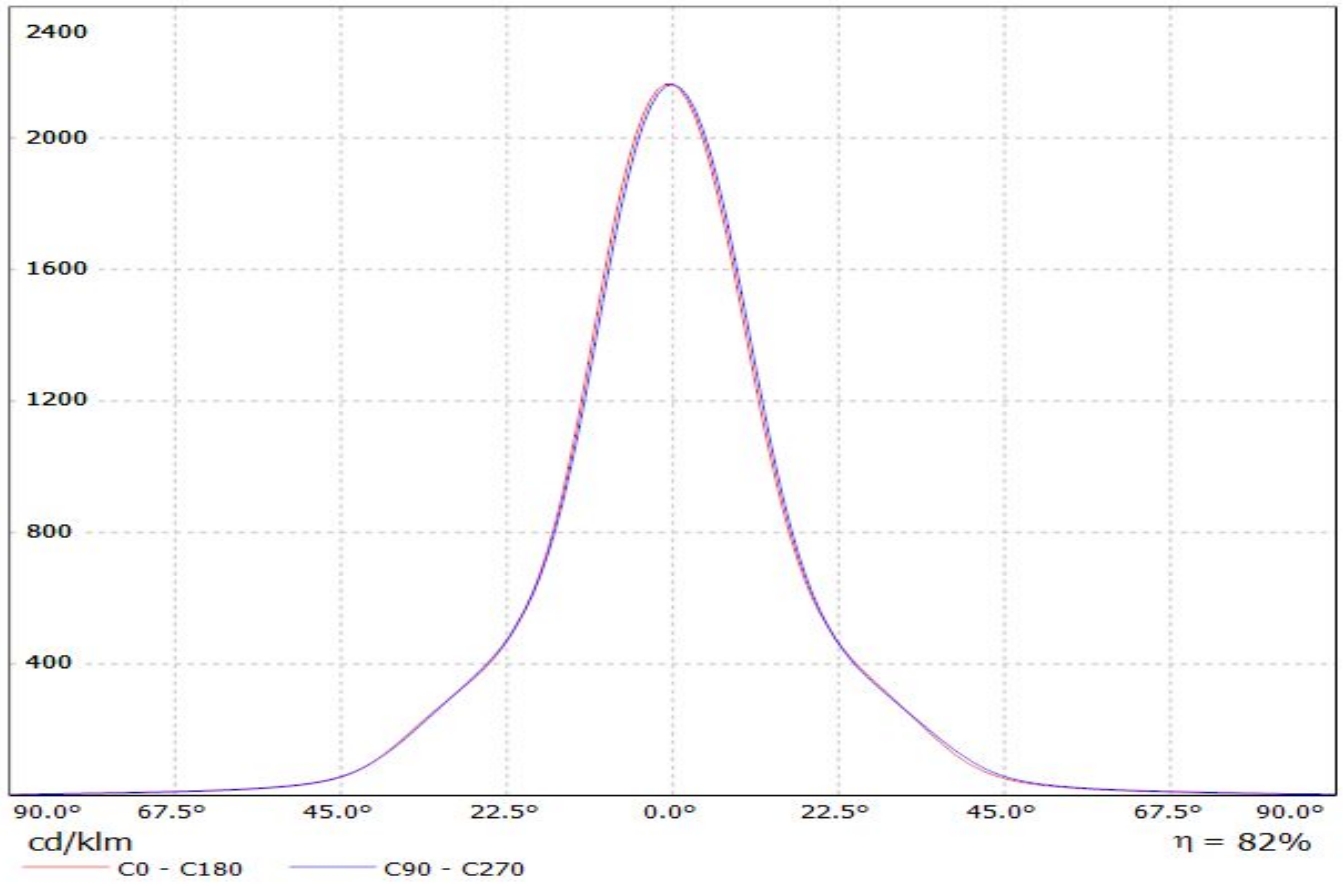
1

1

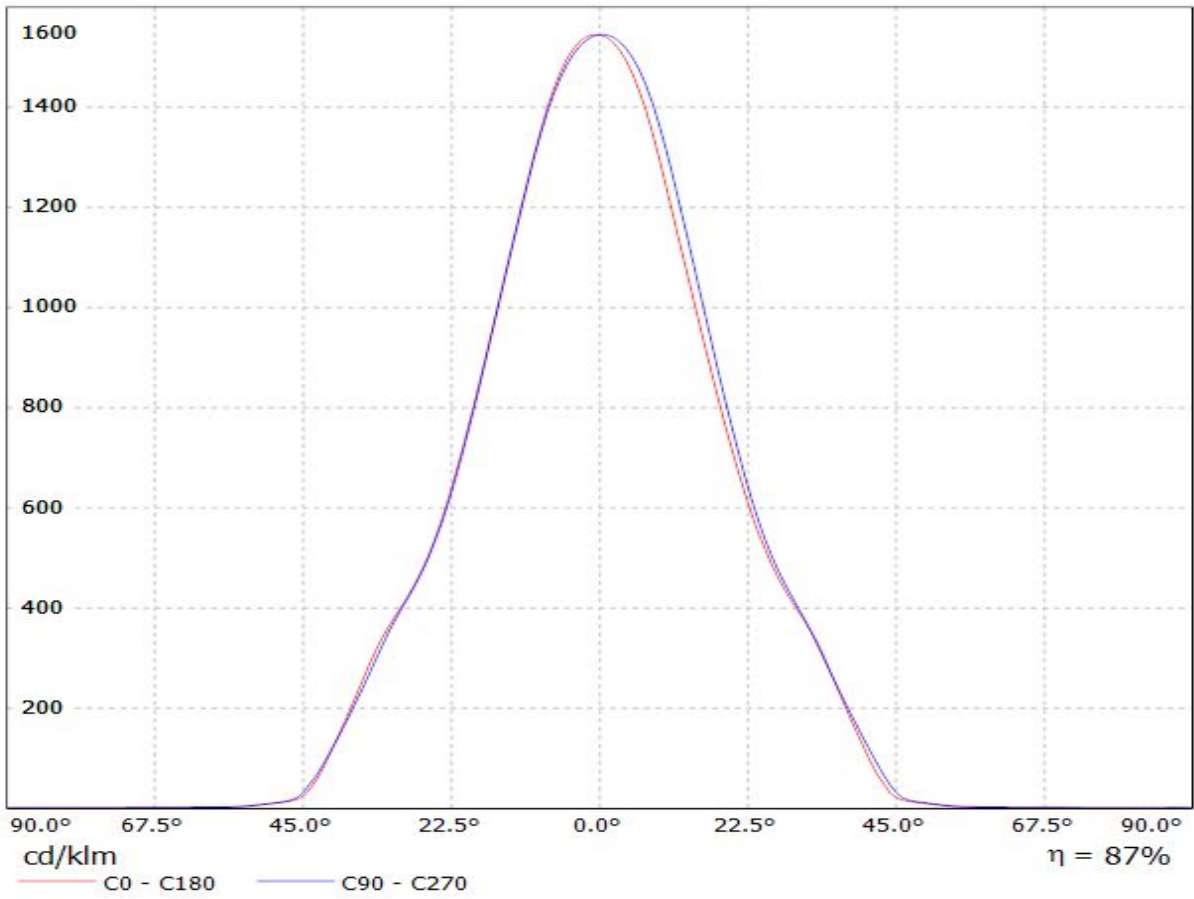
Luminaire: LEDiL Oy CN13110_LENINA-S_(SoleriqE30) Eff.88.5%
Lamps: 1 x Osram Soleriq E30 (1262.22lm@250mA)



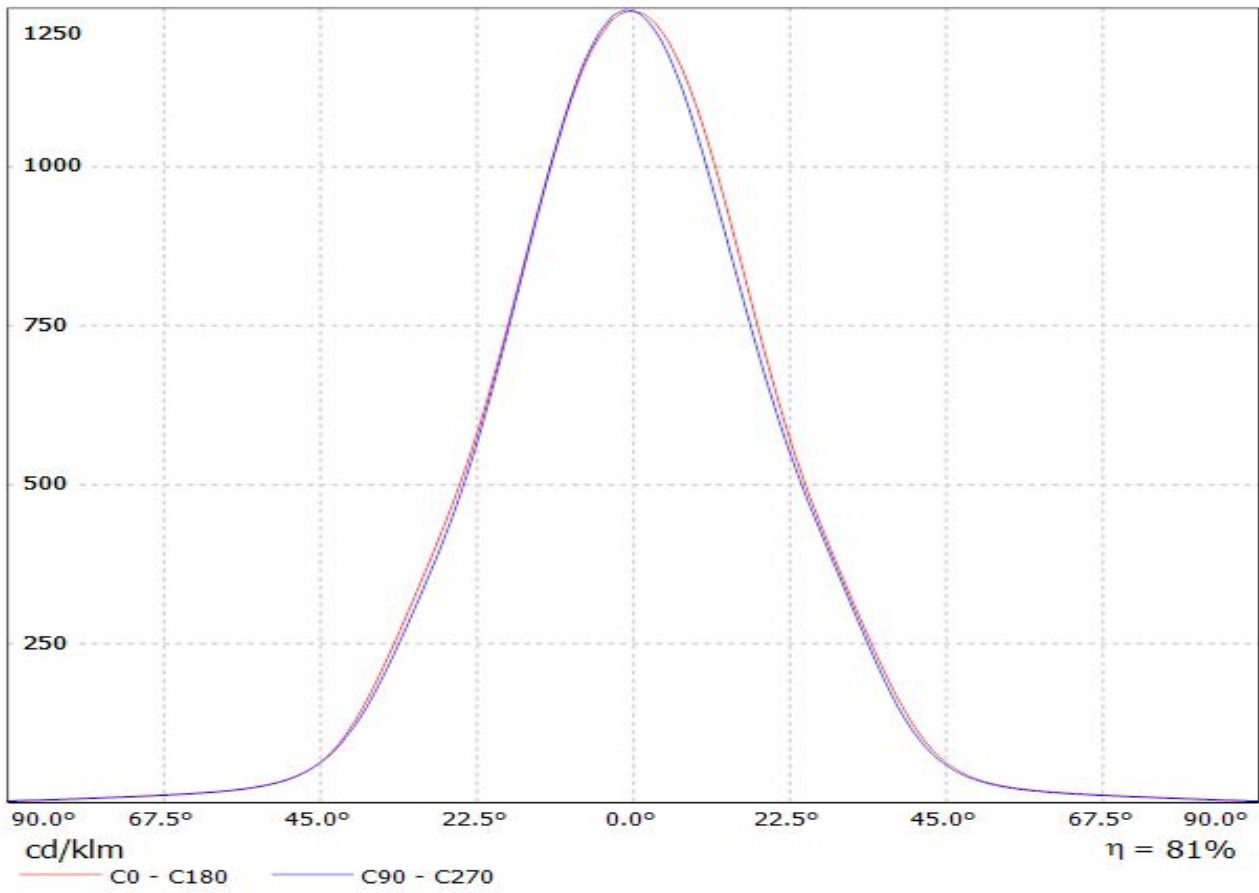
Luminaire: LEDiL Oy CN13113_LENINA-S-DL_(SoleriqE30) Eff.82.0%
Lamps: 1 x Osram Soleriq E30 (1262.22lm@250mA)



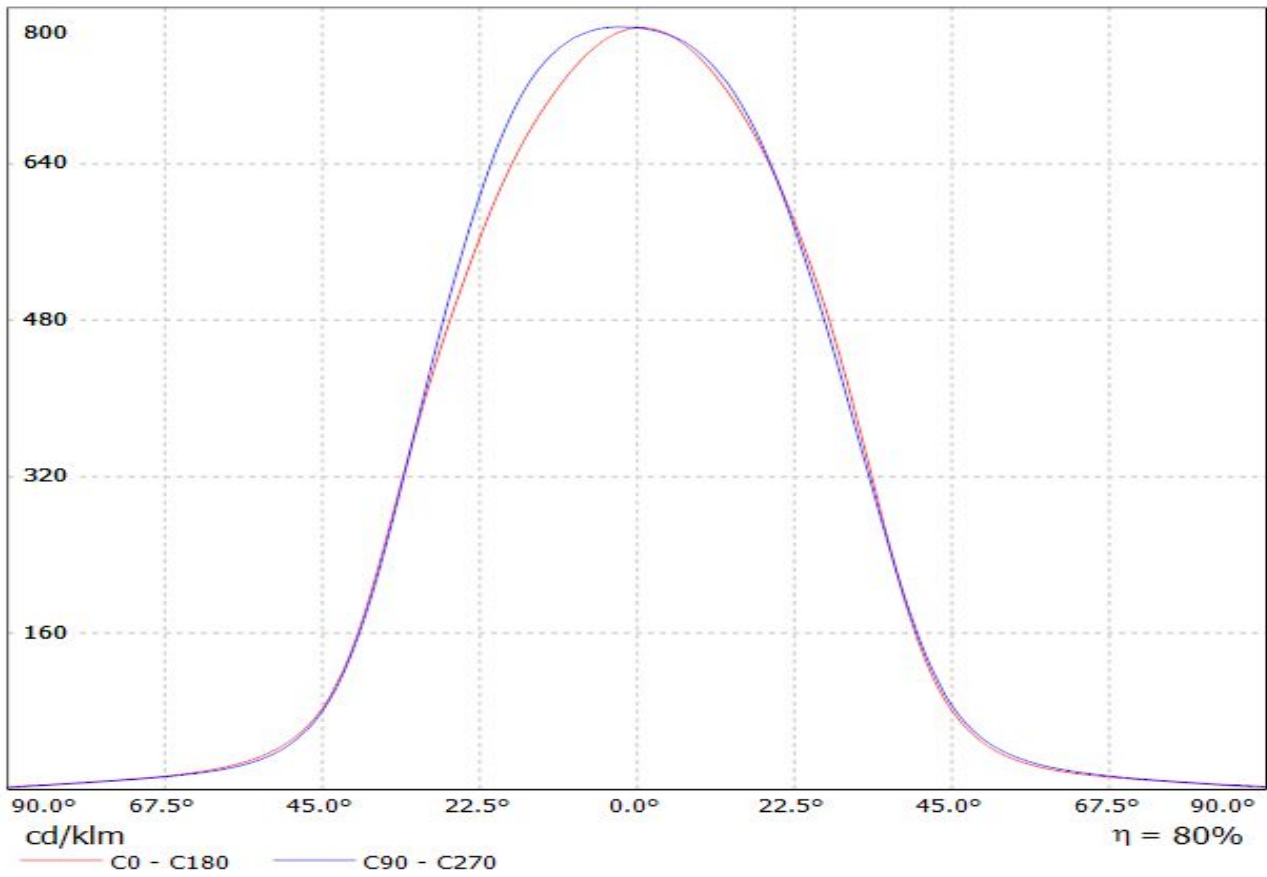
Luminaire: LEDiL Oy CN13111_LENINA-M_(SoleriqE) Eff.87.5%
Lamps: 1 x Osram SoleriqE (1262.22lm@250mA)



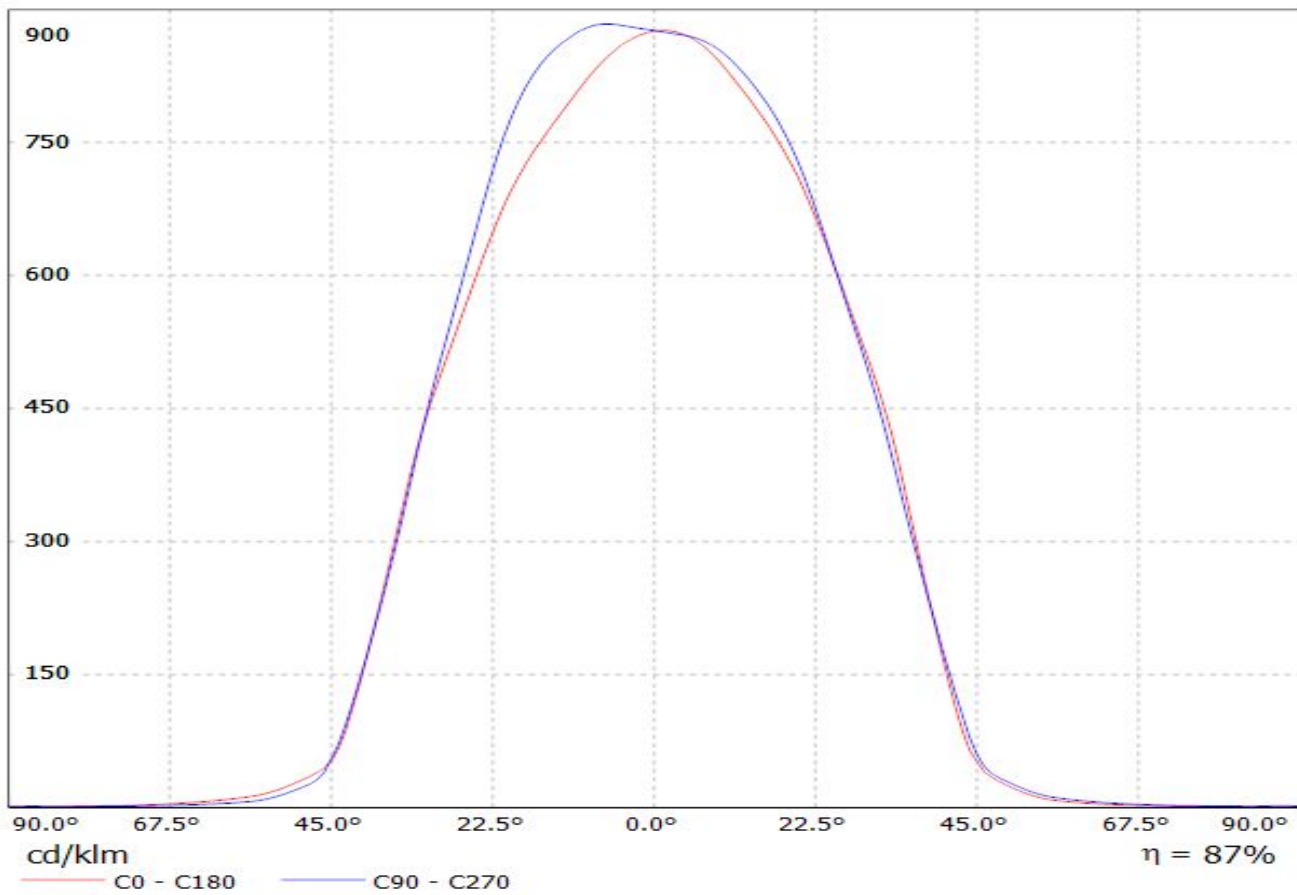
Luminaire: LEDiL Oy CN13114_LENINA-M-DL_(SoleriqE30)
Lamps: 1 x Osram Soleriq E30 (1262.22lm@250mA)



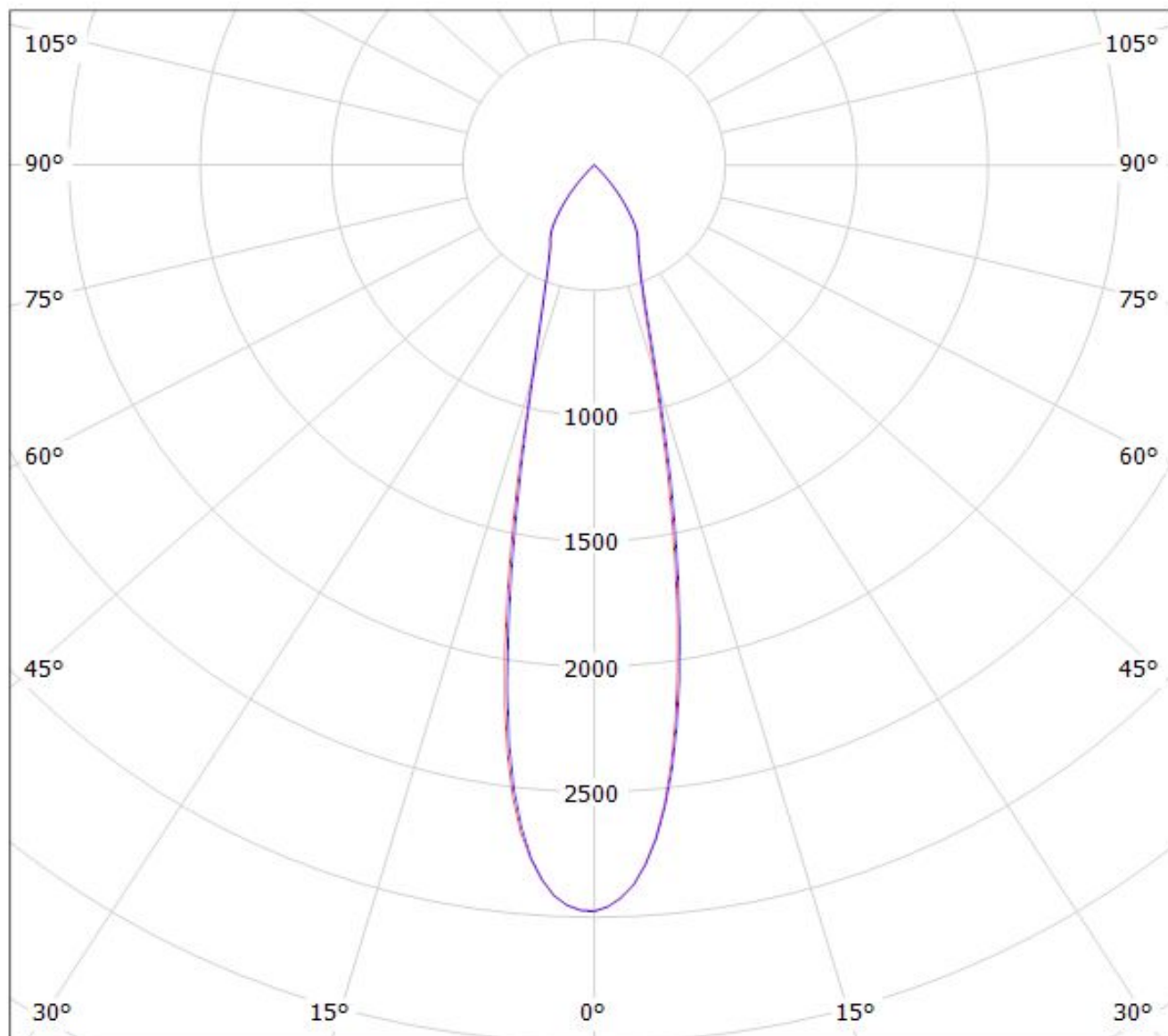
Luminaire: LEDiL Oy CN13115_LENINA-W-DL (SoleriqE30) Eff.80.2%
Lamps: 1 x Osram Soleriq E30 (1262.22lm@250mA)



Luminaire: LEDiL Oy CN13112_LENINA-W (SoleriqE30) Eff.86.8%
Lamps: 1 x Osram Soleriq E30 (1262.22lm@250mA)



Luminaire: LEDiL Oy CN13110_LENINA-S_(SoleriqE30) Eff.88.5%
Lamps: 1 x Osram Soleriq E30 (1262.22lm@250mA)



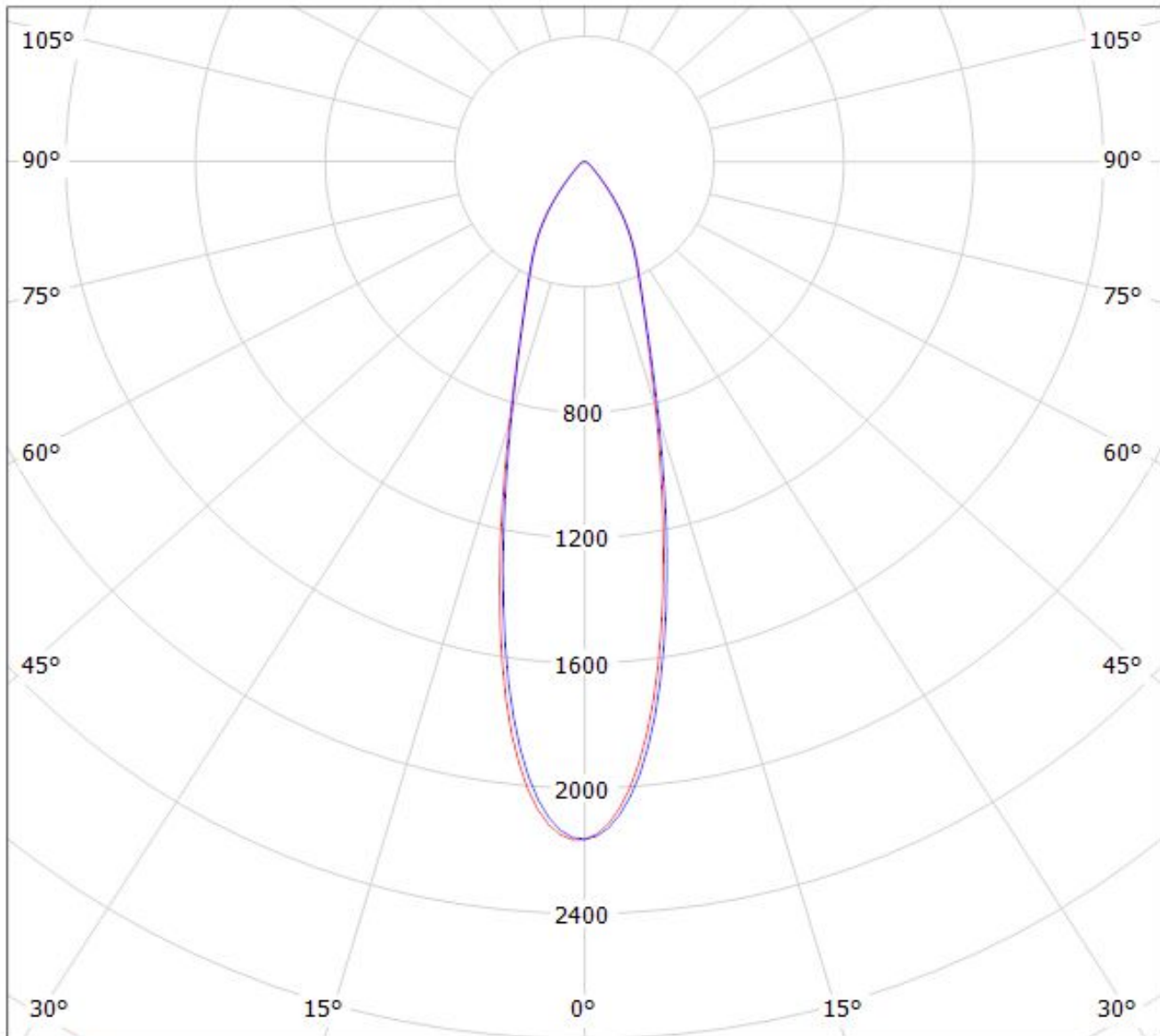
cd/klm

— C0 - C180

— C90 - C270

$\eta = 88\%$

Luminaire: LEDiL Oy CN13113_LENINA-S-DL_(SoleriqE30) Eff.82.0%
Lamps: 1 x Osram Soleriq E30 (1262.22lm@250mA)

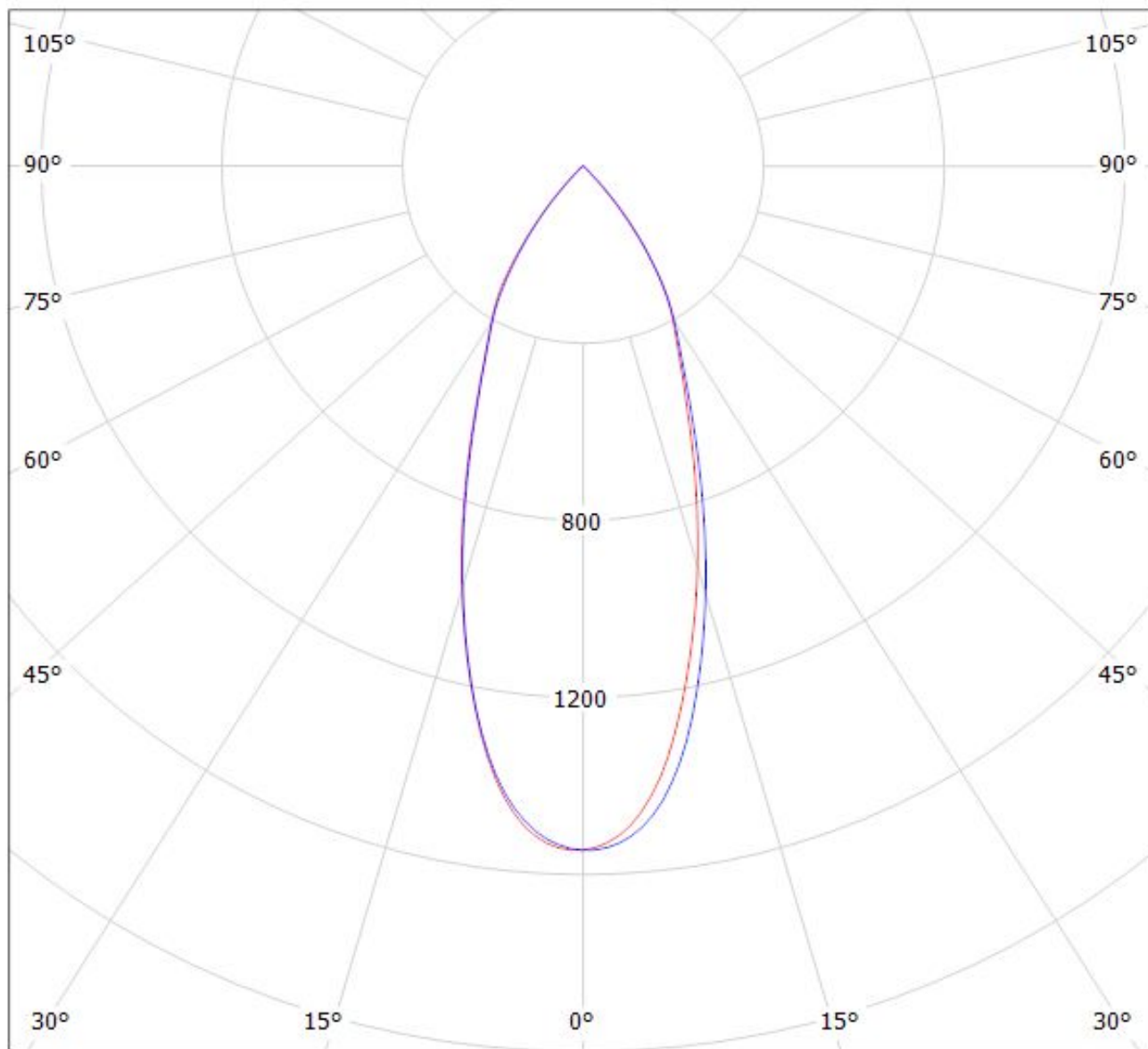


cd/klm

— C0 - C180 — C90 - C270

$\eta = 82\%$

Luminaire: LEDiL Oy CN13111_LENINA-M_(SoleriqE) Eff.87.5%
Lamps: 1 x Osram SoleriqE (1262.22lm@250mA)



cd/klm

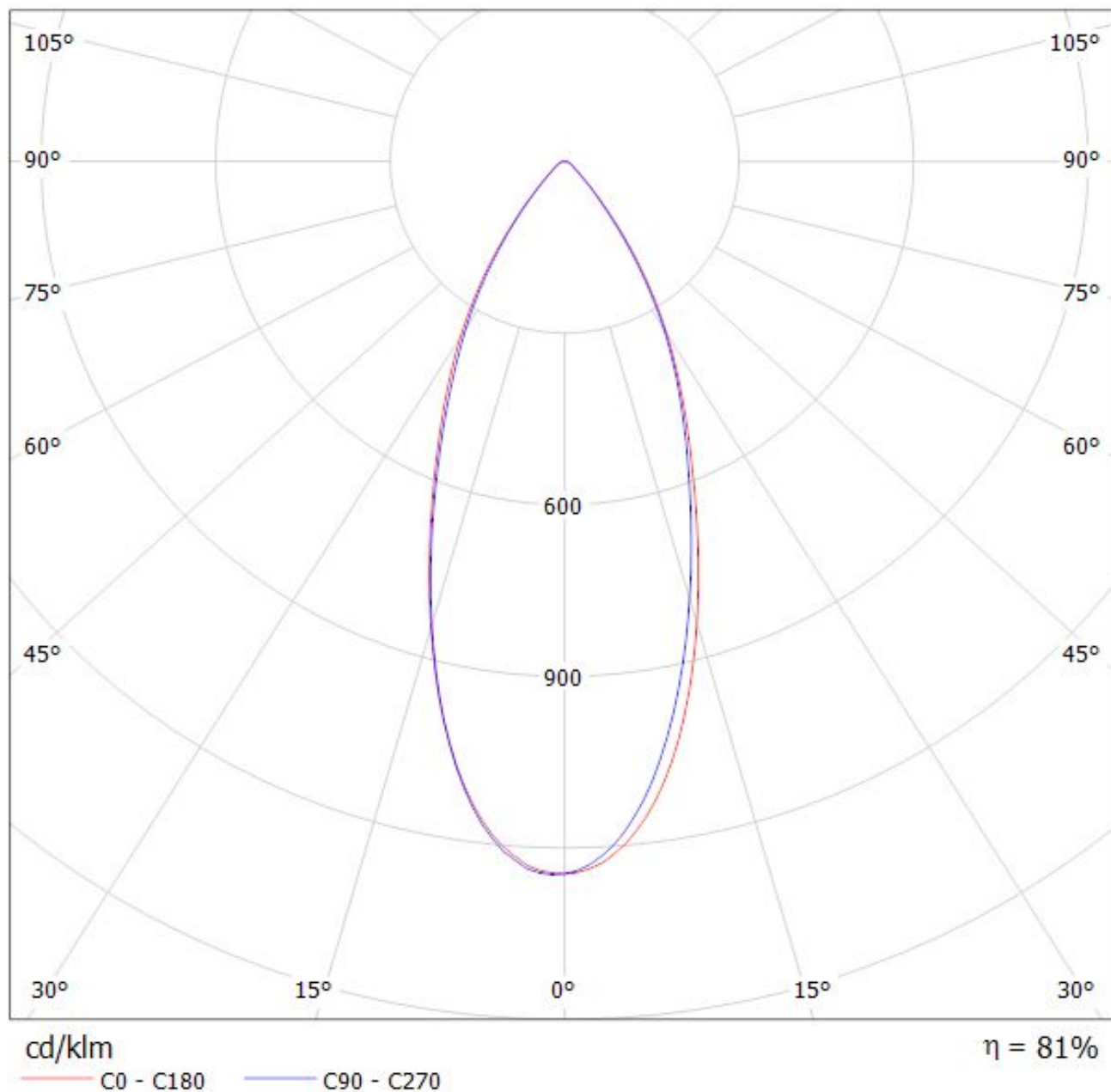
— C0 - C180

— C90 - C270

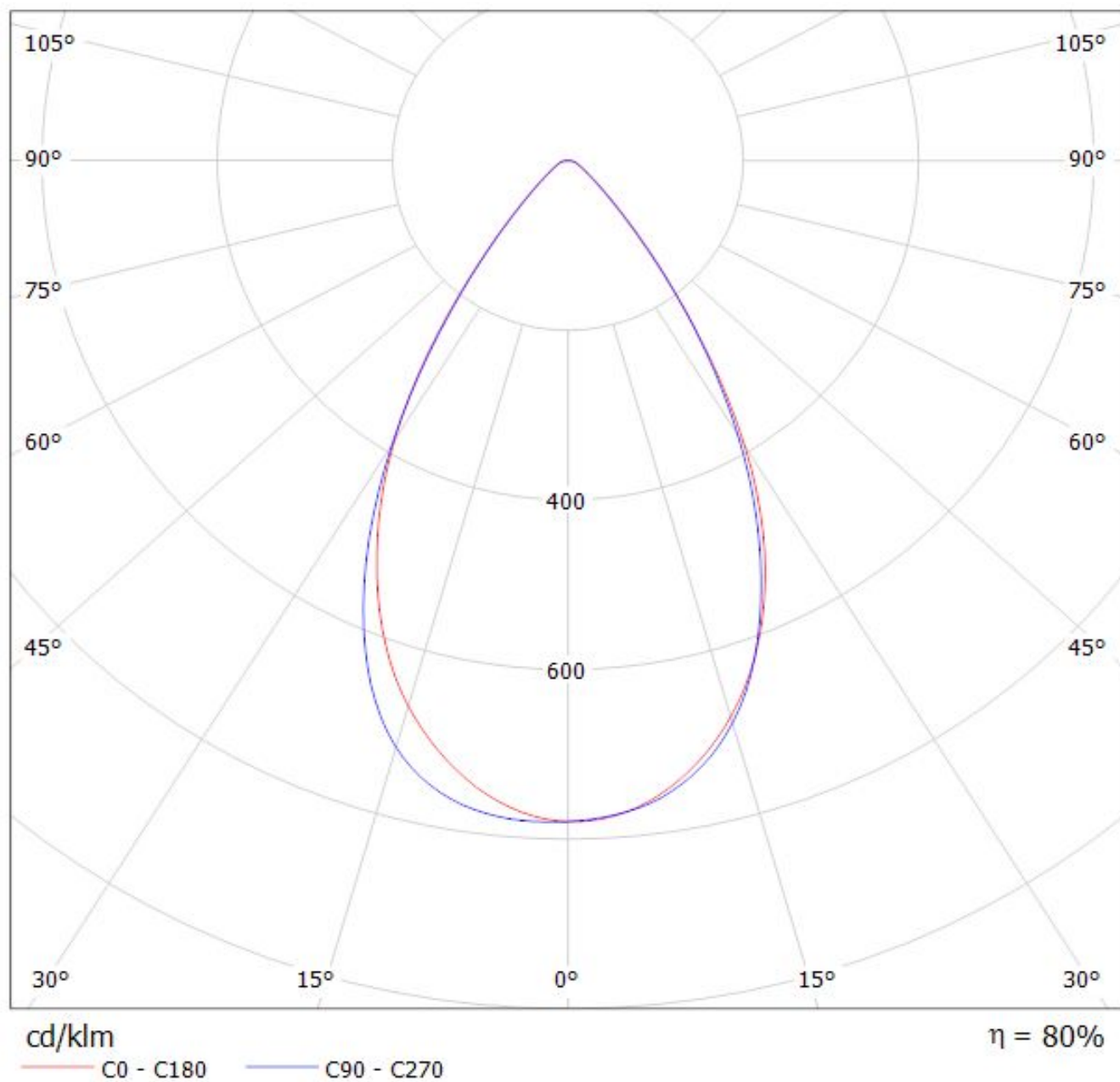
$\eta = 87\%$

Luminaire: LEDiL Oy CN13114_LENINA-M-DL_(SoleriqE30)

Lamps: 1 x Osram Soleriq E30 (1262.22lm@250mA)

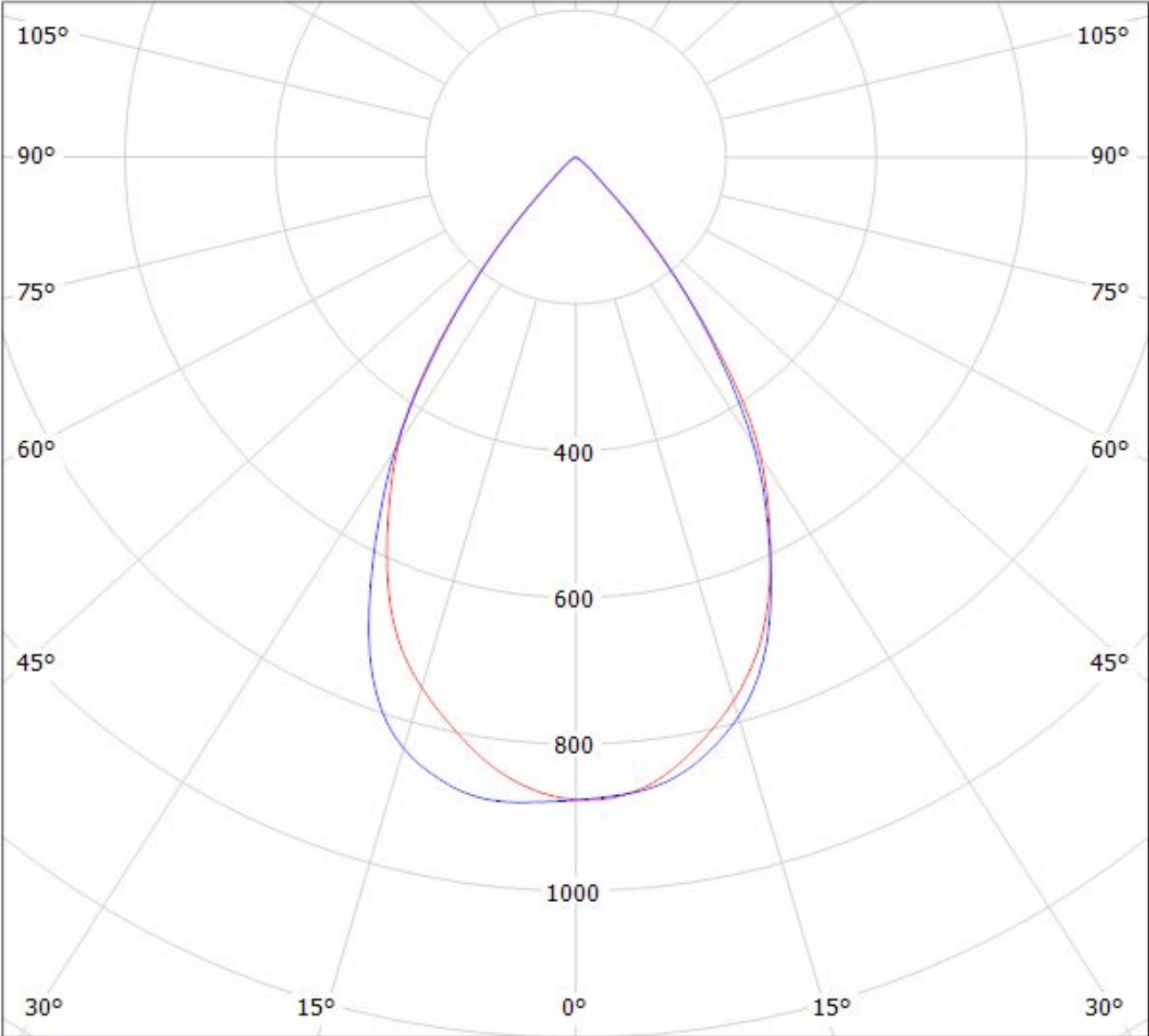


Luminaire: LEDiL Oy CN13115_LENINA-W-DL_(SoleriqE30) Eff.80.2%
Lamps: 1 x Osram Soleriq E30 (1262.22lm@250mA)



Luminaire: LEDiL Oy CN13112_LENINA-W_(SoleriqE30) Eff.86.8%

Lamps: 1 x Osram Soleriq E30 (1262.22lm@250mA)



cd/klm

— C0 - C180

— C90 - C270

$\eta = 87\%$