

Datasheet

Anti Surge T LBC Fuse, 6.3A, 5x20mm

RS Stock number [563-425](#)



Specifications:

Materials

Glass body/nickel plated brass caps

Lead wire: Tin-lead plated copper, Diameter $\varnothing 0.8\text{mm}$.

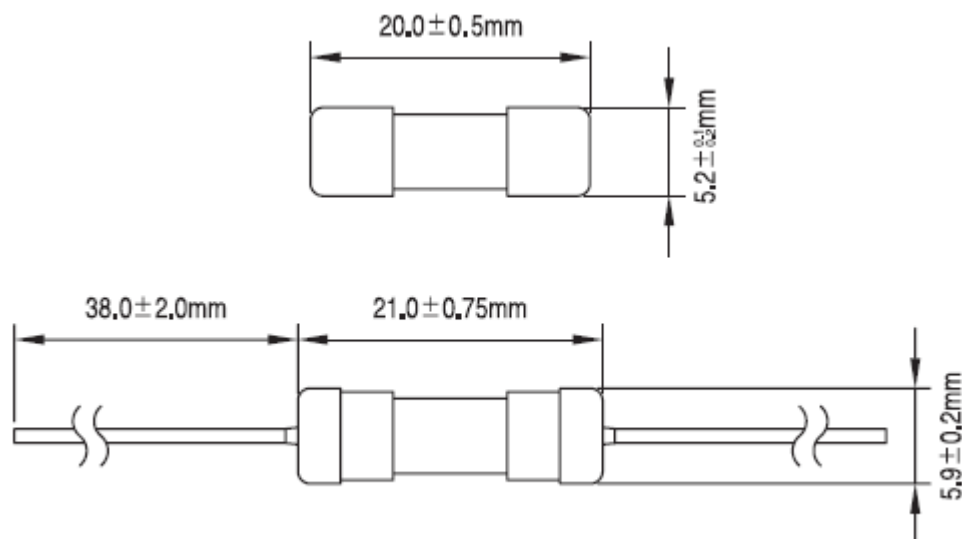
Interrupting Ratings

35 amperes or 10 in rated current; whichever is greater.

Operating Temperature

-55°C to $+125^{\circ}\text{C}$

Drawing (mm):



Electrical Characteristic:

Rated Current	1.5 In		2.1 In		2.75 In		4 In		10 In	
	MIN	MAX	MIN	MAX	MIN	MAX	MIN	MAX	MIN	MAX
63mA~100mA	60 min	2 min	200 ms	10 sec	40 ms	3 sec	10 ms	300 ms		
125mA~6.3A	60 min	2 min	600 ms	10 sec	150 ms	3 sec	20 ms	300 ms		
8A~10A	30 min	2 min	600 ms	10 sec	150 ms	3 sec	20 ms	300 ms		