

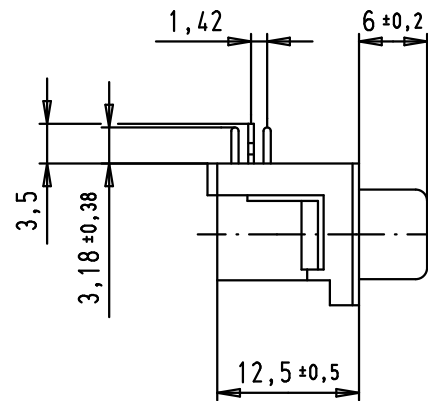
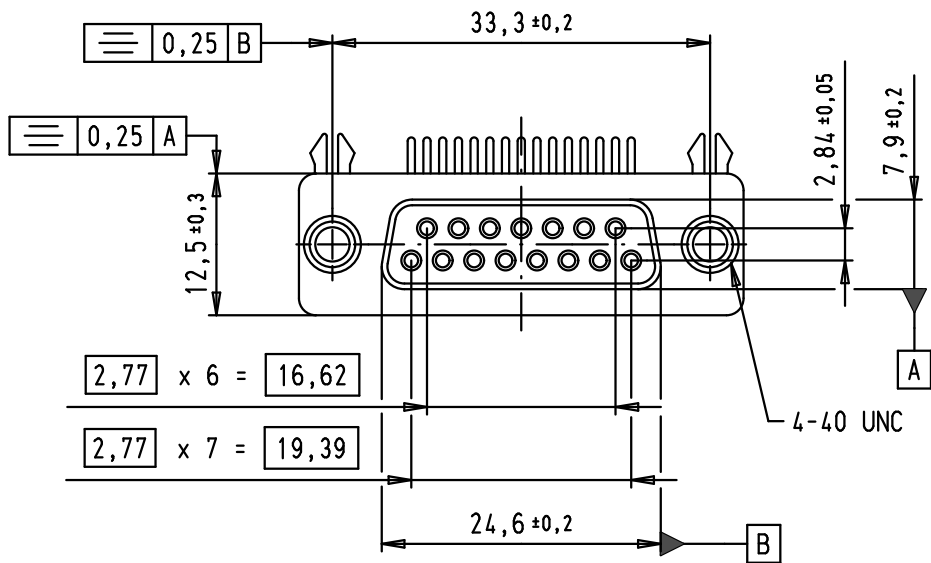
5

4

3

2

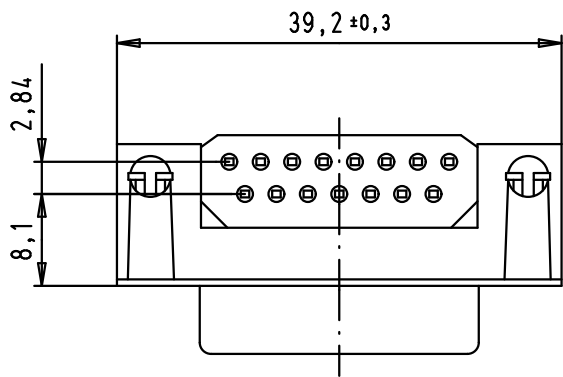
1



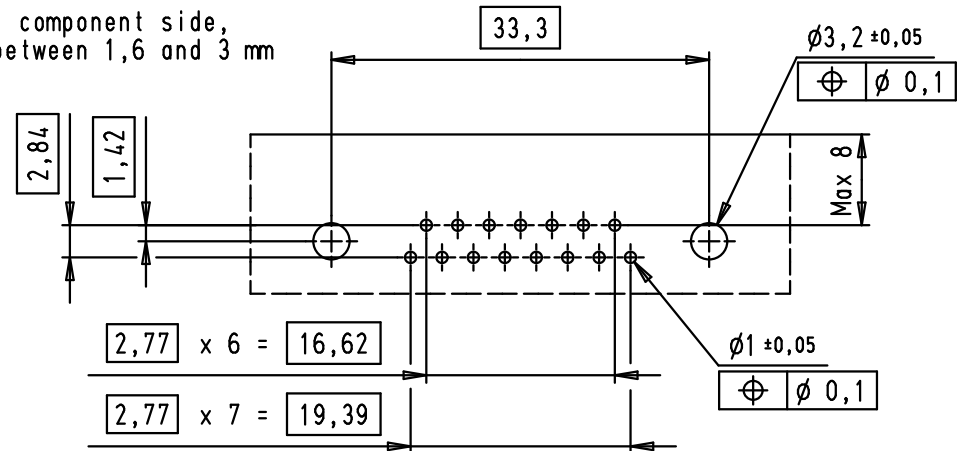
SPECIFICATIONS

FREQUENCY (MHz)	ATTENUATION (dB)
5	1
10	2
50	4
100	4,5
500	4,5
1000	4,5

Operating voltage < 250 V AC  
 Working current < 7,5 A  
 Insulation resistance > 10Ω  
 Contact resistance < 15 mΩ  
 Dielectric withstanding voltage 500 V AC / minute



PCB layout, component side, thickness between 1,6 and 3 mm



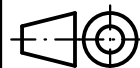
D

C

B

A

	Dot.	Name
Detail.	02/07/09	PK
Insp.		
Stand.		
Mod.	02/07/09	PK
Dot.		
Name	HARTING EURL F-95972 Paris	



All Dim. in mm  
Orig. Size DIN A 4

D-Sub, female, angled,  
US footprint, 15 poles,  
tin plated shell,  
solder pins, ferrite filter

Maßstab/  
Scale

1,5:1

TB 09 64 213 7802

Blatt/ Page

1 / 1

09 64 213 7802

Au Flash

Part number

Performance level

Sub.