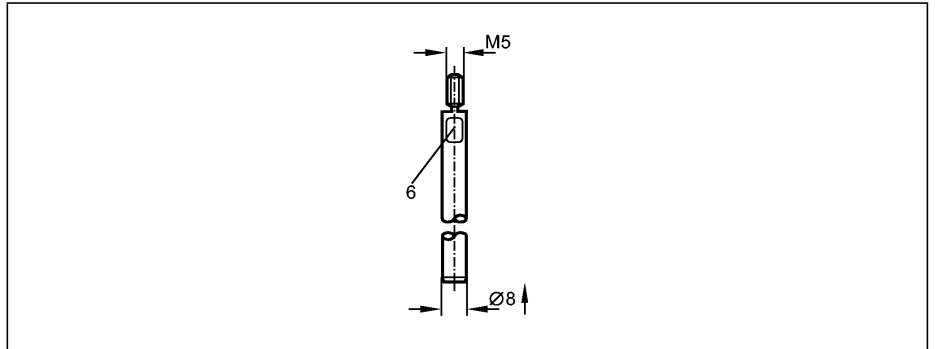


Accessories

E43207

Probe



Made in Germany

Probe length L [mm]	1000
Design	for level sensors LR
Recommended tightening torque [Nm]	4
Housing materials	stainless steel (303S22)
Weight [kg]	0.43