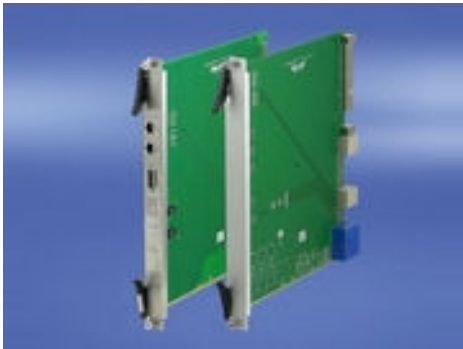
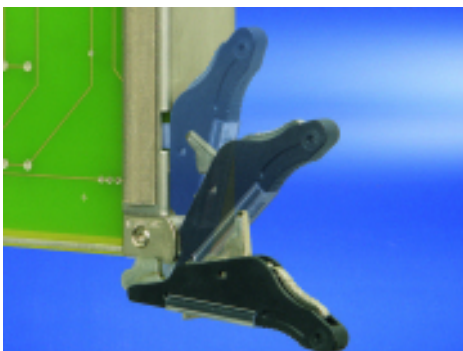


Front panels and IEA handle (with/without spring loading)



Left: application example;
right: scope of delivery
without board



AdvancedTCA IEA handle

Part no.: 21596-325

Features:

- Schroff hot-swap handle (when open the handle must be held in open position)
- Front panel steel, stainless
- Versions for 2 microswitch types (plunger or lever contact)
- EMC textile gasket

Add to basket



FRONT PANEL
EXPRESS

NEW PRODUCT

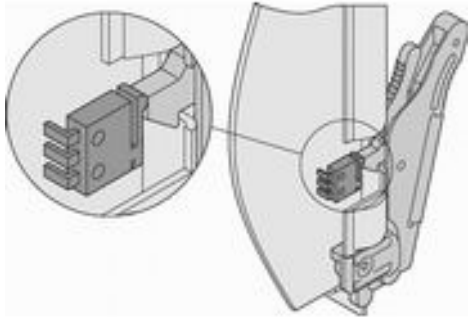
RoHS
COMPLIANT

Technical information:

Description	Height	Width
Stainless steel, with AdvancedTCA IEA handle (lever type)	8 U	6 HP

Delivery comprises: ((kit))

Item	Qty	Description



Handle with lever contact (lever style)

Product illustrations are exemplary illustrations and can deviate from supplied products.

1	1	Stainless steel or Al extrusion front panel incl. alignment pin and M3 knurled screws
2	1	Lower handle incl. bearing
3	1	Upper handle incl. bearing
4	1	EMC mesh gasket
5	1	Fixing material kit (M2.5 screws incl. thread locking compound)

Accessories:

Part no.	Description	
20818-140	AdvancedTCA handle (IEA) design element Plastic, transparent, to clip on, for customers' logos, UL 94 V-0, PU 10 pcs	Add to basket

Note:

- Al front panel available through individual configuration service
- Front panels with copper-beryllium gasket (CuBe) available on request
- Front panels with board cover on request
- With its front panel service Schroff offers extensive modification options, including custom cut-outs, foils and screen printing: www.frontpanelexpress.eu
- Intuitive Ergonomic Aesthetic = IEA handle