

This is a sample photo.

ORDER SYMBOL: AL 060605

EL.number **EAN:** 6418074004086

Sweden: 2536305
Denmark: 8212004618
Finland: 3423603

INCLUDING:

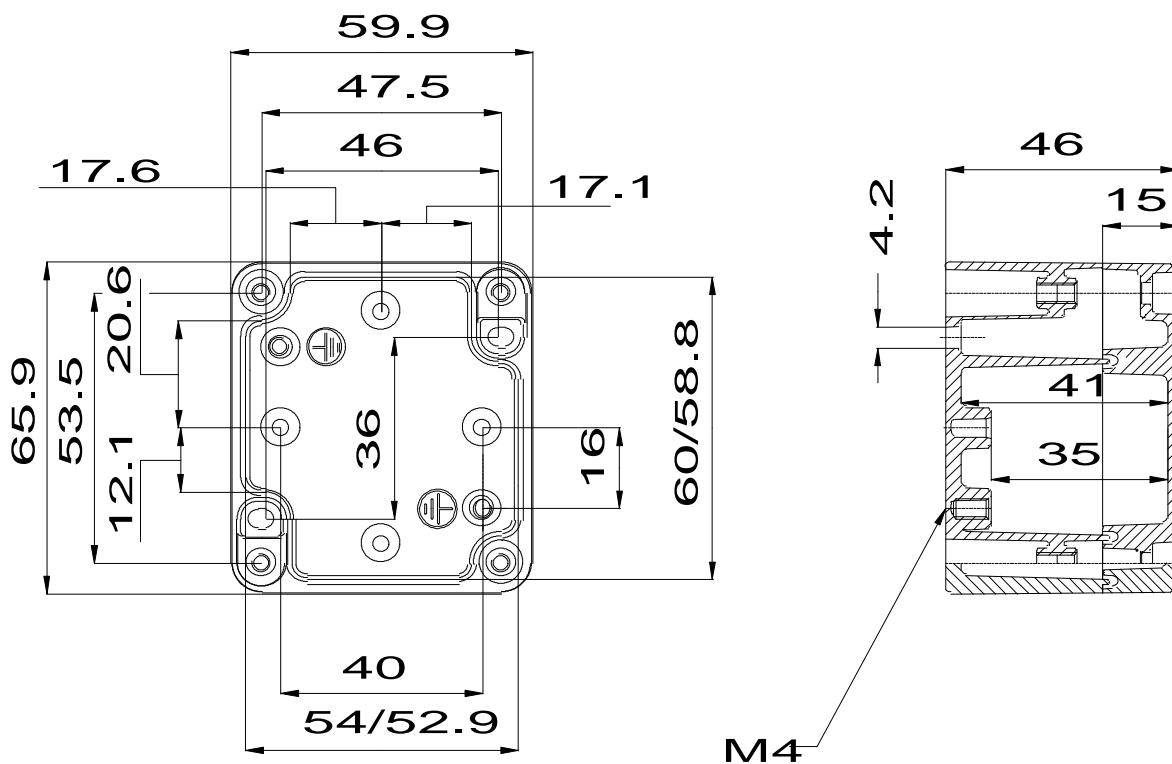
Enclosure body, cover with PUR gasket, cover screws, and 2 earth screws.

APPROVALS:

USA: UL Type 1, 4, 4X, 12, 13 (E75645 Vol.1 Sec.6)

EURO: IP 67/IP 66

OTHERS: IEC 529



TECHNICAL INFORMATION:

Standard colour: RAL 7001
Ingress protection: IP 67 (IEC 529)
Flame resistance:

Temp.range in cont. use: Max. +80 °C
Temp. range of material: - 50 °C - + 120 °C

ACCESSORIES

DIN-Rail	ARH 12	DIN-Rail	ARH 36	Fastening lug	MRS 28540
DIN-Rail	ARH 16	DIN-Rail	ARH 40	Fastening lug	MRS 28541
DIN-Rail	ARH 1636	DIN-Rail	ARH 60		
DIN-Rail	ARH 1656	DIN-Rail	ARM 0610		
DIN-Rail	ARH 22	DIN-Rail	ARM 0615		
DIN-Rail	ARH 2320	DIN-Rail	ARM 0808		
DIN-Rail	ARH 2328	DIN-Rail	ARM 0813		
DIN-Rail	ARH 2333	DIN-Rail	ARM 0818		
DIN-Rail	ARH 26	DIN-Rail	ARM 0825		