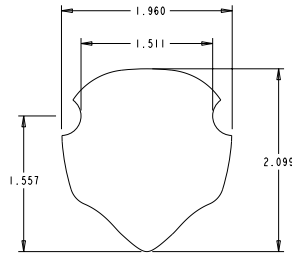


G3-0100

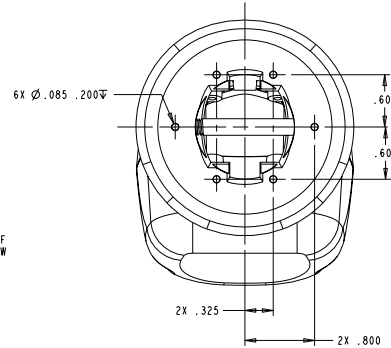
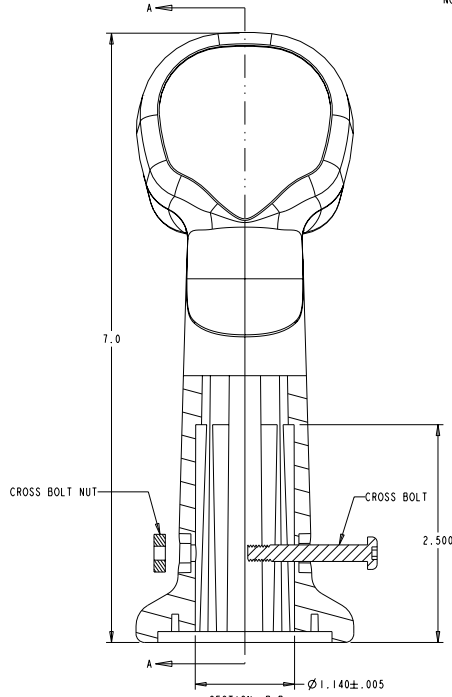
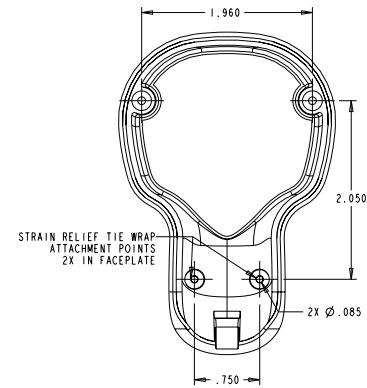
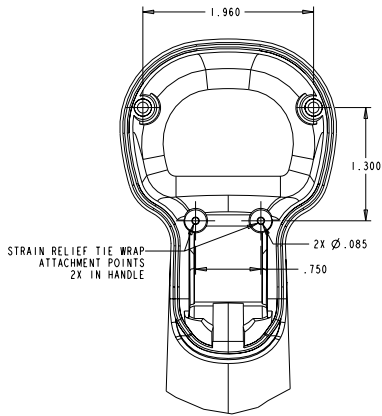
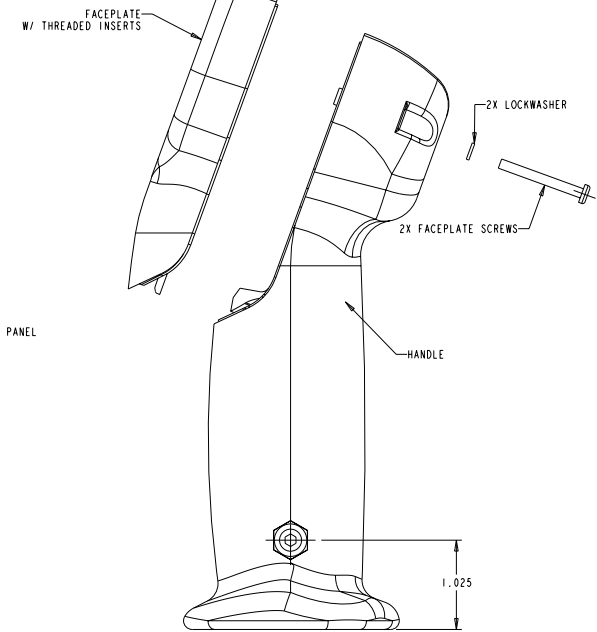
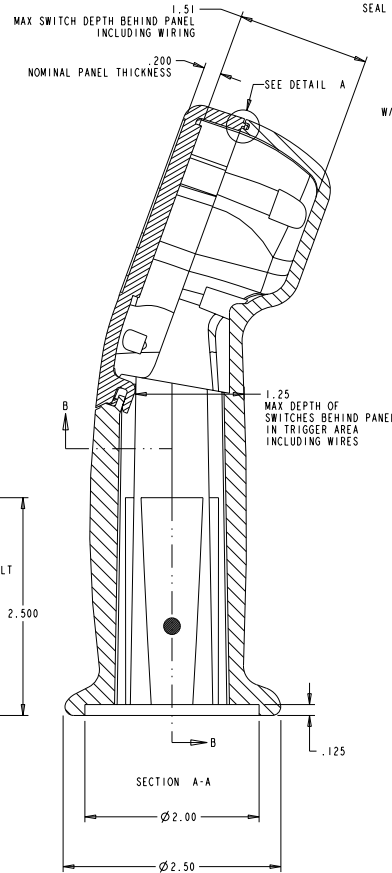
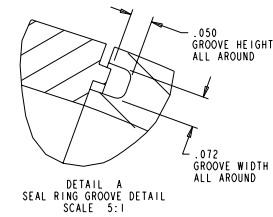
REV	OCN	DATE	APR
2	008153	22 MAR 01	LBG
3	008837	30 MAY 01	LBG

NOTES:

- PACKAGING:
SHIPPED UNASSEMBLED. HARDWARE PACKAGED IN SEPARATE PLASTIC BAG. HARDWARE, HANDLE AND FACEPLATE IN PLASTIC BAG WITH LABEL.
- MATERIAL:
GRIP: POLYPROPYLENE, GLASS REINFORCED
COLOR: BLACK
FACEPLATE: POLYPROPYLENE, GLASS REINFORCED
COLOR: BLACK
HARDWARE:
CROSS BOLT, NUT AND LOCKWASHER: STAINLESS STEEL.
FACEPLATE SCREWS AND LOCKWASHERS: STAINLESS STEEL
STRAIN RELIEF SCREWS: STEEL
- HARDWARE SPECIFICATIONS:
CROSS BOLT AND NUT: 10-32UNF-2A, 1.375" LONG
BUTTON HEAD HEX DRIVE WITH SPLIT LOCK WASHER
(2) FACEPLATE SCREWS: 4-40UNC-2A, 1.000" LONG
BUTTON HEAD HEX DRIVE WITH SPLIT LOCK WASHER
STRAIN RELIEF: HI-LO TYPE SELF THREADING SCREW



MAX. AREA FOR SWITCH PLACEMENT IN FACEPLATE
SCALE 1:1



STRAIN RELIEF HARDWARE

UNLESS OTHERWISE SPECIFIED: DIMENSIONS ARE IN INCHES. TOLERANCES: .XX ± .03 .XXX ± .010 ANGLES 8° DO NOT SCALE THIRD ANGLE PROJECTION	OTTO CONTROLS DIVISION OF OTTO ENGINEERING INC. CARPENTERSVILLE, ILLINOIS USA		DESCRIPTION G3, UNIVERSAL GRIP, BASIC	
	<input checked="" type="checkbox"/> MAJOR <input type="checkbox"/> CRITICAL <input type="checkbox"/> SPC CRITICAL	DRWN. LBG CHKD. RJK APPD. JT	SIZE C	FSCM NO 21649
DATE: 29-May-01			WT.	REV. 3
Scale 1:1			Sheet 1 Of 1	