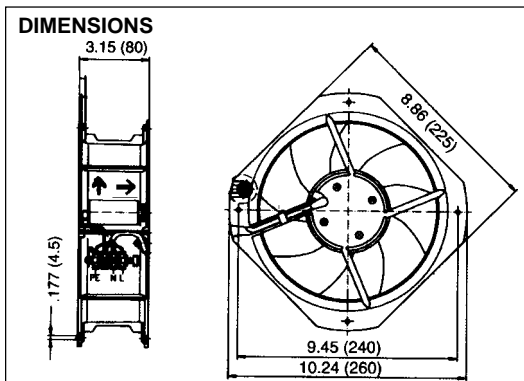
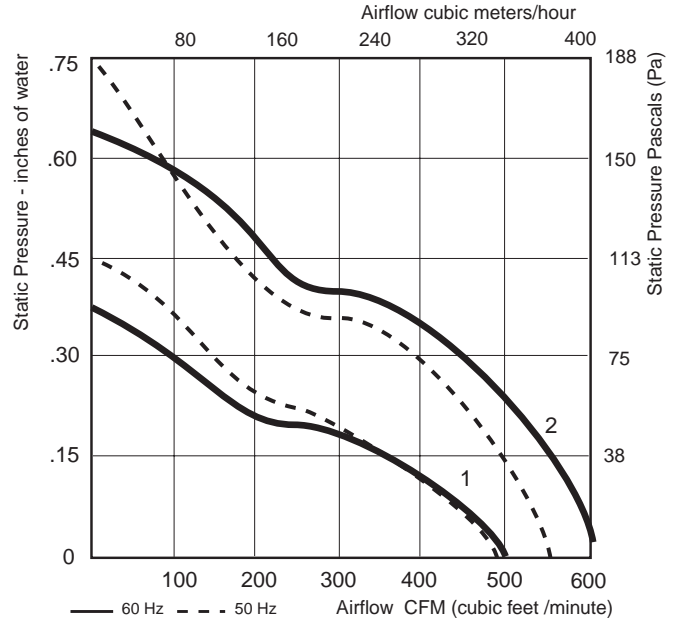


# 225 x 80mm (8.9" X 3.2") AC FAN

**W2E200**



## 8.86" X 8.86" X 3.15" AC Fan, All Metal, Air Exhaust – Over struts

Curve	PART NUMBER	Type of Bearing	AC Volts	Hertz	Watts	CFM @ 0"	Temp. Max °C	Wgt. (oz)	Features	Approvals*		
										UL	CSA	VDE
1	<b>W2E200-HH82-01</b>	Ball	115	50/60	60	500	56	75	Terminal Block	√	√	√
1	<b>W2E200-HH64-01</b>	Ball	230	50/60	60	500	56	75	Terminal Block	√	√	√
2	<b>W2E200-HH86-01</b>	Ball	115	50/60	80	607	61	75	Terminal Block	√	√	√
2	<b>W2E200-HH38-01</b>	Ball	230	50/60	80	607	61	75	Terminal Block	√	√	√

UL yellow card E54522, CSA file LR43145, VDE file 1718

**CONSTRUCTION MOUNTING & CONNECTION**

**Mounting:** From either face using four .177" (4.5mm) holes.  
**Weight:** 70 oz. (2000g)  
**Housing:** Metal with metal impeller

**Capacitor:** Included, mounted on unit within envelope  
**Accessory:** Grill guard # 78128-2-4039

From: Peter Kimmett [mailto:pkimmett@us.ebmpapst.com]  
Sent: Thursday, November 05, 2009 10:26 AM  
To: Kevin Jackson  
Cc: Liz Bouvier; Susan Glendenning  
Subject: RE: Need Product Information - EBM PAPST

Hello Kevin,

Please see my comments below as well as all included attachments.

600-0457      55416.2725                      Blower;AC Crossflow; 115VAC; 60 hz; 180CFM  
I believe you are referring to the 55416.27250? If so, I can provide you with  
a drawing (see attached).

600-0507      4214/12H  
See attached spec on "4200" series product and "Sensor Signal 12"

600-0526      A2D200-AA02-01              Fan, axial, 5 straight blades, 230V, 50Hz  
See attached spec on "W2D200-CA02"

600-0497      LZ30-6  
See attached spec on "Finger Guards plastic"

600-0430      R2E225-BE51-13 Impeller; Backward Curved;756 CFM; 115 VAC; 75 dBA;  
Ball; Leads; 225mm  
See attached spec "R2E225" which refers to the -09 version.  
The difference between the -09 and the -13 is the -13 has a connector

600-0509      W2E200-HH64-05      See attached spec "W2E200-HH64" which refers  
to the -01 version. The -05 version is the newer model.