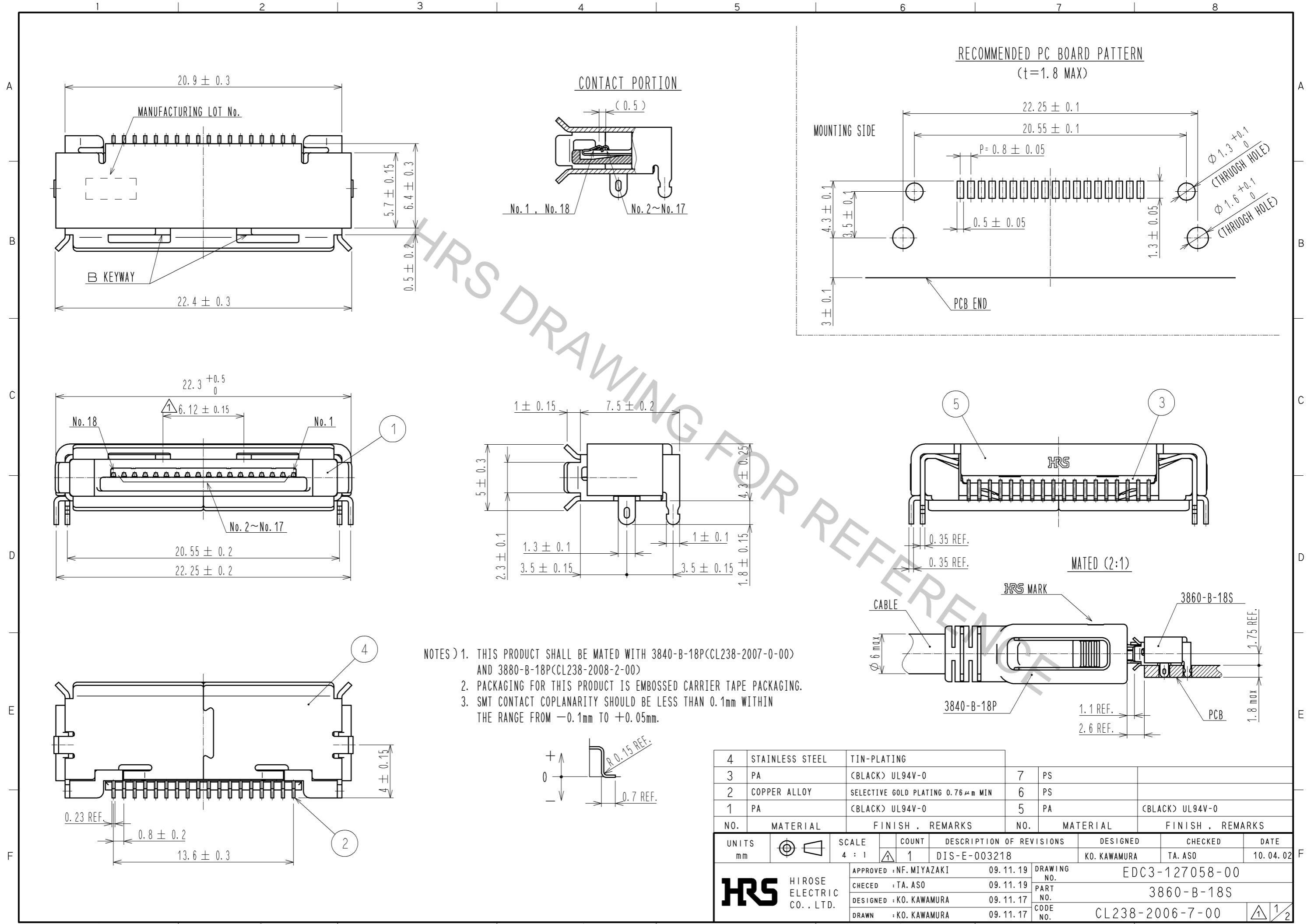


Nov.1.2016 Copyright 2016 HIROSE ELECTRIC CO., LTD. All Rights Reserved.



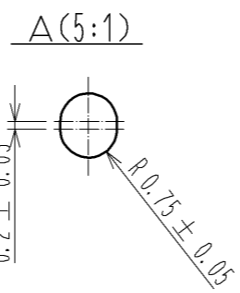
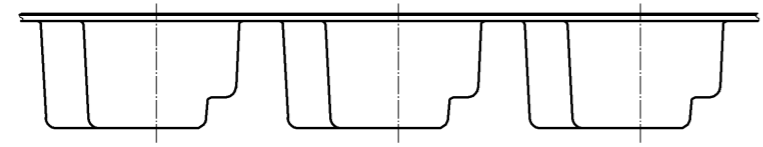
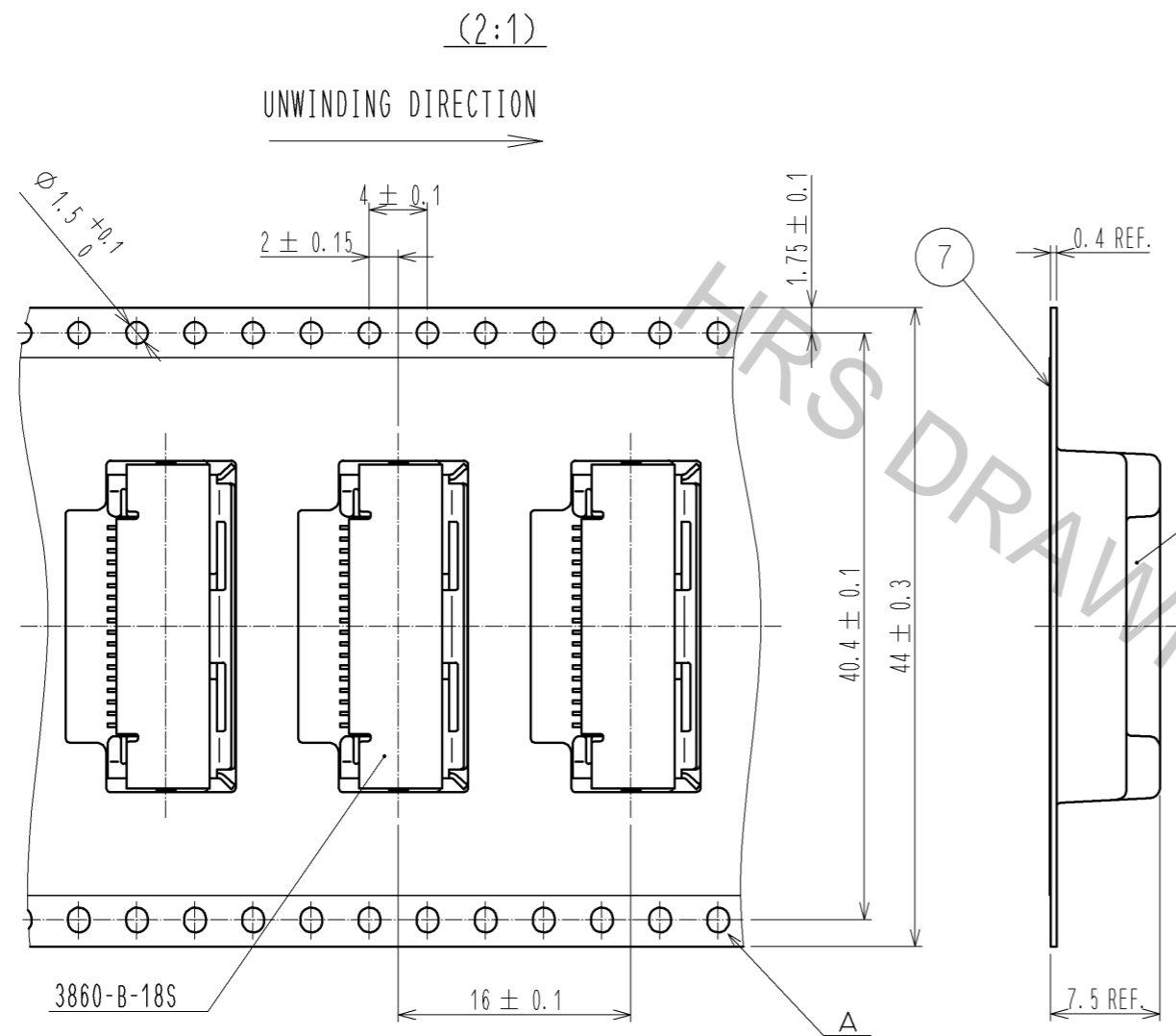
- NOTES) 1. THIS PRODUCT SHALL BE MATED WITH 3840-B-18P(CL238-2007-0-00) AND 3880-B-18P(CL238-2008-2-00)
 2. PACKAGING FOR THIS PRODUCT IS EMBOSSED CARRIER TAPE PACKAGING.
 3. SMT CONTACT COPLANARITY SHOULD BE LESS THAN 0.1mm WITHIN THE RANGE FROM -0.1mm TO +0.05mm.

NO.	MATERIAL	FINISH	REMARKS	NO.	MATERIAL	FINISH	REMARKS
4	STAINLESS STEEL	TIN-PLATING		7	PS		
3	PA	(BLACK) UL94V-0		6	PS		
2	COPPER ALLOY	SELECTIVE GOLD PLATING 0.76μm MIN		5	PA	(BLACK) UL94V-0	
1	PA	(BLACK) UL94V-0					

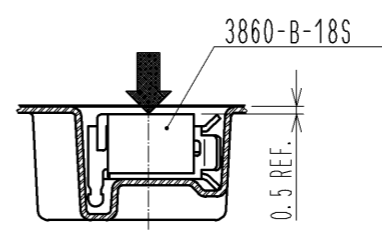
UNITS	SCALE	COUNT	DESCRIPTION OF REVISIONS	DESIGNED	CHECKED	DATE
mm	4 : 1	1	DIS-E-003218	KO. KAWAMURA	TA. ASO	10.04.02

APPROVED	DATE	DRAWING NO.
NF. MIYAZAKI	09.11.19	EDC3-127058-00
CHECED	DATE	PART NO.
TA. ASO	09.11.19	3860-B-18S
DESIGNED	DATE	CODE NO.
KO. KAWAMURA	09.11.17	CL238-2006-7-00
DRAWN	DATE	
KO. KAWAMURA	09.11.17	

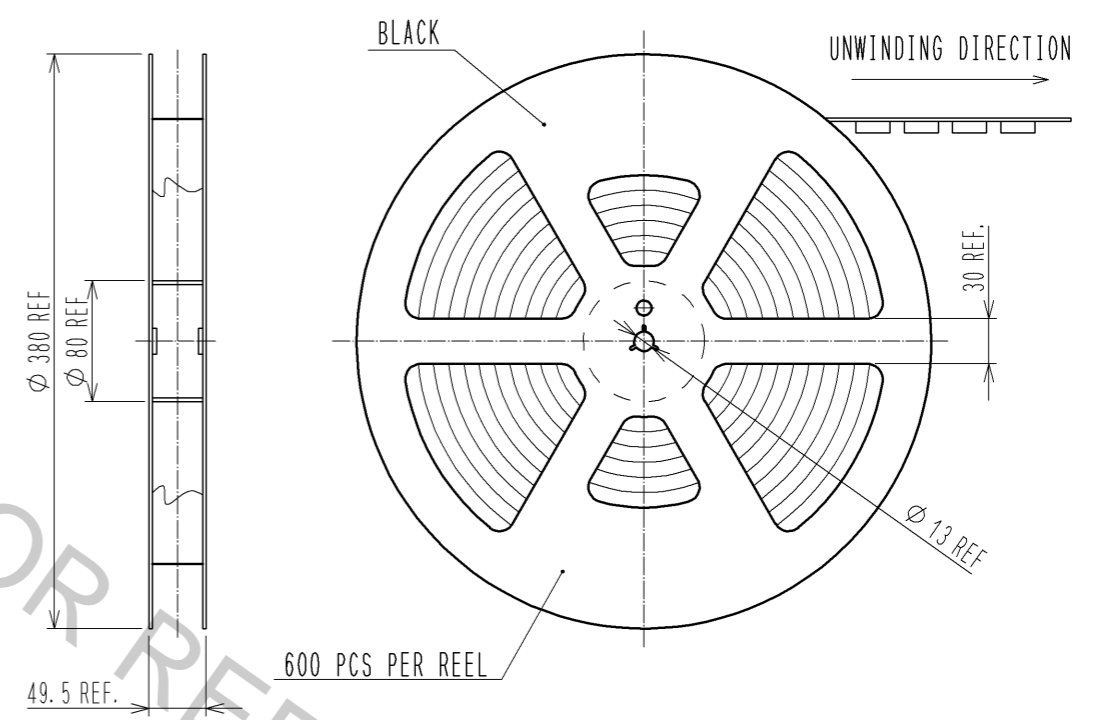
Nov.1.2016 Copyright 2016 HIROSE ELECTRIC CO., LTD. All Rights Reserved.



DIMENSIONS FOR VACUUM PICK UP POSITION (2:1)



PLASTIC REEL PACKAGING DIMENSIONS (FREE)



HRS	DRAWING NO.	EDC3-127058-00	2/2
	PART NO.	3860-B-18S	
	CODE NO.	CL238-2006-7-00	