

## Connector - SACC-MS-5SC M SCO - 1432567

Please be informed that the data shown in this PDF Document is generated from our Online Catalog. Please find the complete data in the user's documentation. Our General Terms of Use for Downloads are valid (<http://phoenixcontact.com/download>)



Connector, 5-position, Plug straight M12 SPEEDCON, A-coded, Spring-cage connection, Knurl material: Zinc die-cast, nickel-plated, External cable diameter 4 mm ... 8 mm

### Why buy this product

- Safe use in the field, thanks to a high degree of protection
- Flexible: connectors for on-site assembly
- Save time, thanks to installation with SPEEDCON fast locking system
- Spring-cage connection: connect more securely, even in the case of shock and vibration, thanks to high contact forces
- 



### Key commercial data

|                                      |   |
|--------------------------------------|---|
| Packing unit                         | 1 pc  |
| GTIN                                 | <br>4 046356 348157 |
| Weight per Piece (excluding packing) | 22.0 g  |
| Custom tariff number                 | 85366990  |
| Country of origin                    | Germany   |

### Technical data

#### Dimensions

|   |               |
|---|---------------|
| External diameter                       | 4 mm ... 8 mm |
| Stripping length of the sheath          | 28 mm         |
| Stripping length of the individual wire | 11 mm         |

#### Ambient conditions

|                                 |                                  |
|---------------------------------|----------------------------------|
| Ambient temperature (operation) | -40 °C ... 85 °C (Plug / socket) |
| Degree of protection            | IP65                             |
|                                 | IP67                             |

#### General

|                       |     |
|-----------------------|-----|
| Rated current at 40°C | 4 A |
|-----------------------|-----|

# Connector - SACC-MS-5SC M SCO - 1432567

## Technical data

### General

|                             |  |
|-----------------------------|--|
| Rated voltage               | 60 V   |
| Number of positions         | 5  |
| Contact resistance          | ≤ 8 mΩ   |
| Insulation resistance       | ≥ 100 MΩ   |
| Coding                      | A - standard   |
| Standards/regulations       | M12 connector IEC 61076-2-101                                      |
| Status display              | No   |
| Surge voltage category      | II   |
| Pollution degree            | 3  |
| Connection method           | Spring-cage connection   |
| Conductor cross section     | 0.14 mm² ... 0.5 mm²   |
| AWG conductor cross section | 26 ... 20  |
| Insertion/withdrawal cycles | ≥ 100  |
| Torque                      | 0.4 Nm (M12 knurl)   |
|                             | 0.4 Nm (Connector with coupling sleeve)                            |
|                             | 1.5 Nm (Pressure nut with coupling sleeve)                         |
| Assembly instructions       | The wires can be connected both with ferrules and without ferrules |

### Material

|   |                              |
|---|------------------------------|
| Inflammability class according to UL 94 | V0                           |
| Contact material                        | CuSn                         |
| Contact surface material                | Ni/Au                        |
| Contact carrier material                | TPU                          |
| Material of grip body                   | PA 66                        |
| Material, knurls                        | Zinc die-cast, nickel-plated |
| Sealing material                        | NBR                          |

## Classifications

### eCl@ss

|            |          |
|------------|----------|
| eCl@ss 4.0 | 27060306 |
| eCl@ss 4.1 | 27060306 |
| eCl@ss 5.0 | 27061801 |
| eCl@ss 5.1 | 27061801 |
| eCl@ss 6.0 | 27279218 |
| eCl@ss 7.0 | 27279218 |
| eCl@ss 8.0 | 27440104 |

### ETIM

|          |          |
|----------|----------|
| ETIM 3.0 | EC001855 |
| ETIM 4.0 | EC002062 |

# Connector - SACC-MS-5SC M SCO - 1432567

## Classifications

### ETIM

|          |          |
|----------|----------|
| ETIM 5.0 | EC002062 |
|----------|----------|

### UNSPSC

|               |          |
|---------------|----------|
| UNSPSC 6.01   | 31261501 |
| UNSPSC 7.0901 | 31261501 |
| UNSPSC 11     | 31261501 |
| UNSPSC 12.01  | 31261501 |
| UNSPSC 13.2   | 31261501 |

## Approvals

### Approvals

---

#### Approvals

UL Recognized / cUL Recognized / EAC / EAC / cULus Recognized

---

#### Ex Approvals

---

#### Approvals submitted

---

### Approval details

|                    |       |
|--------------------|-------|
| UL Recognized      |       |
| Nominal current IN | 4 A   |
| Nominal voltage UN | 125 V |


|                    |       |
|--------------------|-------|
| cUL Recognized     |       |
| Nominal current IN | 4 A   |
| Nominal voltage UN | 125 V |

|     |
|-----|
| EAC |
|-----|

|     |
|-----|
| EAC |
|-----|

# Connector - SACC-MS-5SC M SCO - 1432567

## Approvals

cULus Recognized 

## Accessories

### Accessories

#### Cable by the meter

Sensor/Actuator cable - SAC-5P-100,0-PUR/0,34 - 1501676



Cable ring, PUR halogen-free black, 5-pos., conductor colors: Brown/white/blue/black/green-yellow, cable length: 100 m

#### Protective cap

Sealing cap - PROT-M12 FS-PA-CHAIN - 1430873

M12 sealing cap made of plastic with fixing band, for sensor cables, for free M12 sockets



#### Screwdriver tools

Tool - SACC BIT M12-D20 - 1208445



Nut for assembling SACC M12 connectors for free assembly, excluding M12 connectors with QUICKON fast connection technology, for 4 mm hexagonal drive

Adapter insert - TSD-M SAC-BIT ADAPTER - 1212600



Adapter bit for TSD-M...torque tools, E6.3-1/4" drive with 4 mm hexagon to accommodate SAC bits

#### Torque tool

# Connector - SACC-MS-5SC M SCO - 1432567

## Accessories

Torque screwdriver - TSD 04 SAC - 1208429



Torque screwdriver, with preset torque of 0.4 Nm and 4 mm hexagonal drive for M12 connectors

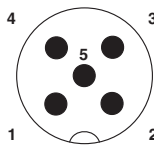
Torque screwdriver - TSD-M 1,2NM - 1212224



Torque screw driver, accuracy as per EN ISO 6789 standard, adjustable from 0.3 - 1.2 Nm

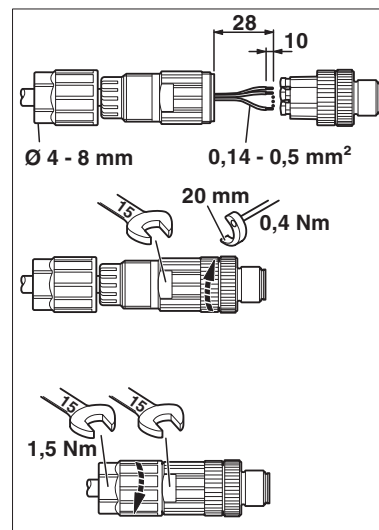
## Drawings

Schematic diagram



Pin assignment M12 male connector, 5-pos., A-coded, male side

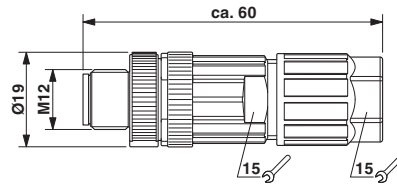
Functional drawing



Strip 28 mm off the cable, 35 mm in the case of the angled version, strip single wires, push the pressure nut onto the cable. Slide the wires through the sleeve housing and connect, screw sleeve housing to the plug insert, screw the pressure nut tight.

## Connector - SACC-MS-5SC M SCO - 1432567

Dimensional drawing



M12 SPEEDCON plug, straight

---

Phoenix Contact 2015 © - all rights reserved  
<http://www.phoenixcontact.com>