

Single phase, primary switched mode power supply **PSR 230/24-10**



Picture shows PSR 230/24-10

Advantages

Stabilised and adjustable output voltage
DC OK signalling via LEDs
Parallel connection option
Service-friendly spring-loaded connector system
Panel installation on mounting rails

Applications

Primary switch mode power supply is concentrated on the core task of voltage and current supply.

Standards

Primary switched mode power supply
to UL 60950, UL 508, Germanischer Lloyd

Safety:
EN 61558-2-17, EN 60950 (SELV)

EMC:
EN 61204-3

Approvals



UL/CSA 60950 recognised, UL508 listed, Germanischer Lloyd

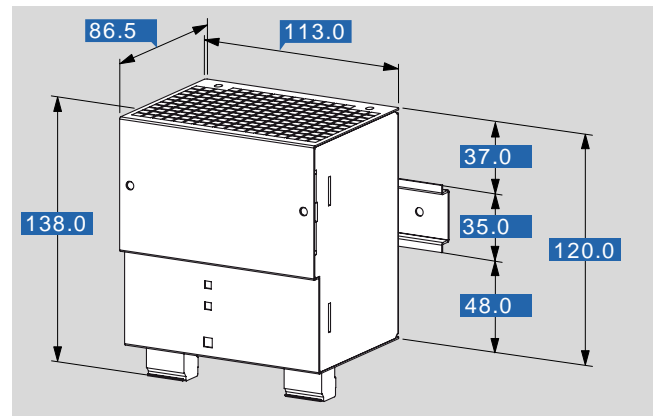


Single phase, primary switched mode power supply

PSR 230/24-10

Type	PSR 230/24-10
Electrical data	
Input	
Input rated voltage	100 - 240 Vac
Input voltage range	90 - 264 Vac
Input rated current (rated load)	2.5 A (230 Vac)
Low-inrush current	typ. <60 Ap
Rated frequency range	50 - 60 Hz
Input fuse internal	6.3 A (slow-blow)
Recommended back-up fuse (circuit breaker)	C10 or B16
Mains buffering (rated load)	>20 ms
Output	
Output rated voltage	24 Vdc
Output voltage range	22.8 - 28.8 Vdc, adjustable
Output rated current	10.00 A
Resistance to reverse feed max.	33 Vdc
Parallel connection	Yes
Serial operation	Yes
Overload behaviour	Constant current
Efficiency	88 %
Signaling	
Power Good (DC OK)	LED green, LED red
Approvals	
Approvals	cURus, cULus, GL
Environment	
Ambient temperature	-10 °C to +70 °C
Storage temperature	-25 °C to +85 °C
Derating	-3 %/K from +50° C, -2 %/V from Uin < 97 Vac
Safety and protection	
Protection index	IP 20
Safety class	I
Accessory	
Wall mounting	WH (optional)
Order numbers	
Order Number	PSR 230/24-10

Type	PSR 230/24-10
Mechanical data	
Terminal and mounting	
Connections input, (spring clamp terminal, pluggable)	max. 2.5 mm ²
Connections output, (spring clamp terminal, pluggable)	max. 2.5 mm ²
Mounting position	vertical
Fixing method	DIN Rail system TH 35, optional wall mounting with bracket holder WH 220
Measures and weights	
Weight	0.94 kg



Subjects to change.