

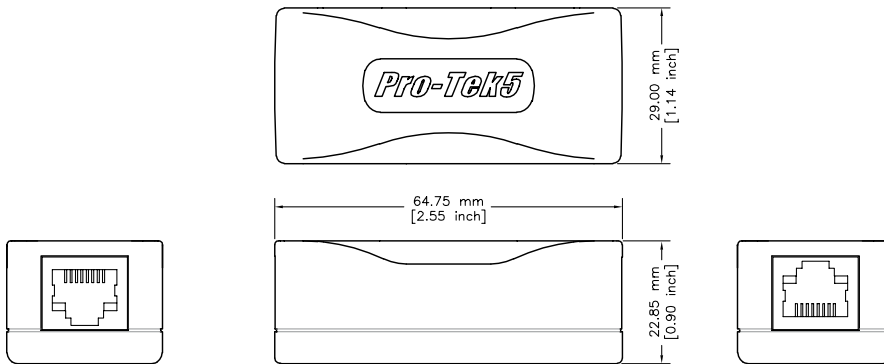
# PRO-TEK5

## 5KV Isolator

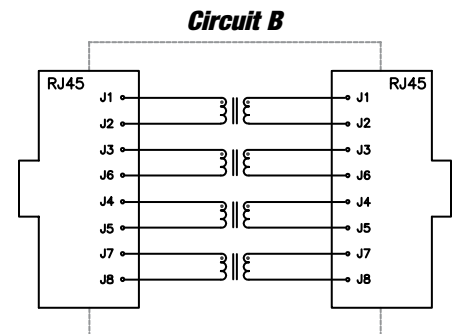
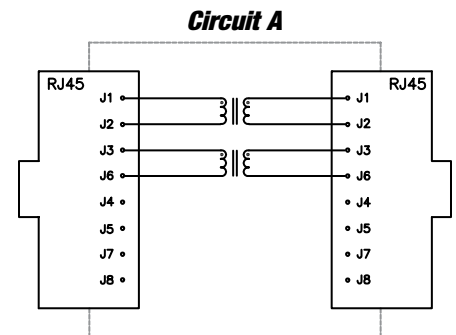
The Pro-Tek5 Systems Isolator affords a convenient method of creating 5KV isolation to equipment located in an Ethernet cabling system. The Pro-Tek5 Systems Isolator provides IEEE802.3 compliant return loss and insertion loss performance while meeting the most stringent isolation requirements. Reinforced insulation is used to achieve a high level of isolation for applications with working voltages up to 300V.



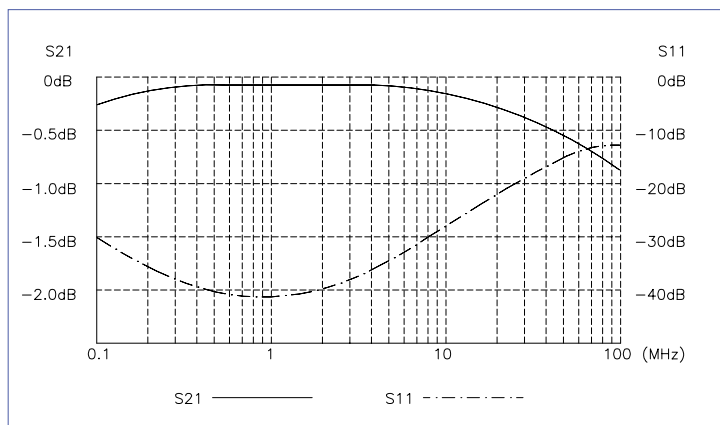
### Mechanical Drawing



### Circuit Drawings



### Frequency Response



UL94-V0 materials

Meets UL60950 for 5KV isolation at working voltages up to 300Volts.

<b>Pro-Tek5 Systems P/N</b>	<b>Application</b>	<b>Isolation</b>	<b>Operating Temp.</b>	<b>Circuit</b>
PTI-45101001	10BASE-T, 10/100BASE-TX	5KV	-10 / +85C	A
PTI-451G0002	Gigabit	5KV	-10 / +85C	B

Pro-Tek5 Systems, Ltd. products are available exclusively through Halo Electronics, Inc. For more information, please contact Halo Electronics, Inc. at [www.haloelectronics.com](http://www.haloelectronics.com) or contact your local HALO representative or distributor.