

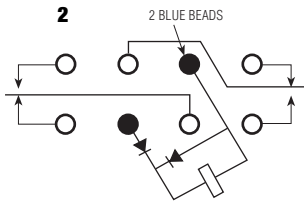
07

**TWO POLE 10 AMP
HIGH-PERFORMANCE RELAY**

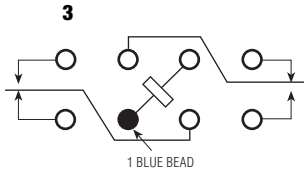
**QUALIFIED TO MIL-R-5757/23
MS 27245 & MS 27247**

FEATURES

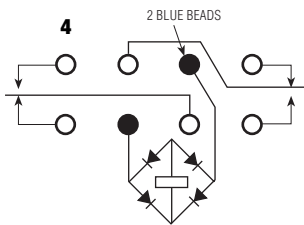
- Hermetically sealed
- Up to 10 amps switching
- High shock & vibration ratings
- Optional terminals & mounting styles
- DC, AC & diode-suppressed coils



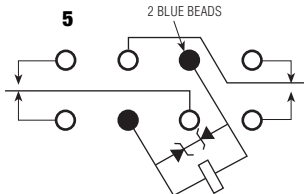
TERMINAL VIEW



TERMINAL VIEW



TERMINAL VIEW



TERMINAL VIEW

ELECTRICAL CHARACTERISTICS

CONTACT ARRANGEMENT

2 Form C (DPDT)

CONTACT MATERIAL

Stationary: Silver cadmium oxide
Moveable: Silver cadmium oxide

CONTACT RESISTANCE

Before Life: 10 milliohms max.
After life: 20 milliohms max.
(Measured at 10 A @ 28 Vdc)

MECHANICAL LIFE EXPECTANCY

1 million operations

COIL VOLTAGE

6 to 120 Vdc,
115 Vac

COIL POWER

4.3 watts max. @ 25°C

DUTY CYCLE

Continuous

PICK-UP VOLTAGE

Approximately 50% of
nominal coil voltage

PICK-UP SENSITIVITY

565 mW

CONTACT RATINGS*

CONTACT LOAD	TYPE	OPERATIONS MIN.
10 A @ 28 Vdc	Resistive	100,000
3 A @ 115 V, 60 Hz	Resistive	50,000
5 A @ 115 V, 400 Hz	Resistive	50,000
6 A @ 28 Vdc	Inductive	50,000
2 A @ 115 V, 60 Hz	Inductive	50,000
2.5 A @ 115 V, 400 Hz	Inductive	50,000
1 A @ 28 Vdc	Lamp	50,000
0.5 A @ 115 V, 60 Hz	Lamp	50,000
0.8 A @ 115 V, 400 Hz	Lamp	50,000
3 A @ 28 Vdc	Motor	50,000
1.5 A @ 115 V, 60 Hz	Motor	50,000
3 A @ 115 V, 400 Hz	Motor	50,000

*All ratings grounded case

OPERATING CHARACTERISTICS

TIMING

Operate time:
Std: 10 ms max.
QPL: 15 ms max.
AC Coil: 15 ms max.

Release Time:

Std: 10 ms max.
QPL: 15 ms max.
AC Coil: 20 ms max.

CONTACT BOUNCE

Std: 5 ms max. (N.O. and N.C.)
QPL: 2 ms max. (N.O.)
QPL: 5 ms max. (N.C.)

DIELECTRIC WITHSTANDING VOLTAGE

Between Open Contacts:
500 Vrms 60 Hz

Between Adjacent Contacts:
1000 Vrms 60 Hz

Between Contacts and Coil:
1000 Vrms 60 Hz

INSULATION RESISTANCE

1,000 megohms min. @ 500 Vdc

ENVIRONMENTAL CHARACTERISTICS

TEMPERATURE RANGE

-65°C TO +125°C

WEIGHT

1.3 oz (37 gms) max.

VIBRATION RESISTANCE

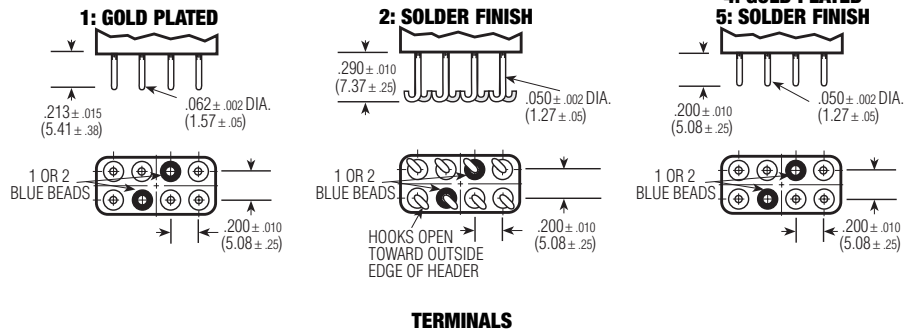
Standard: 30 G's, 10 to 2,000 Hz
QPL: 20 G's, 10 to 2,000 Hz

SHOCK RESISTANCE

100 G's, 6 ± 1 ms

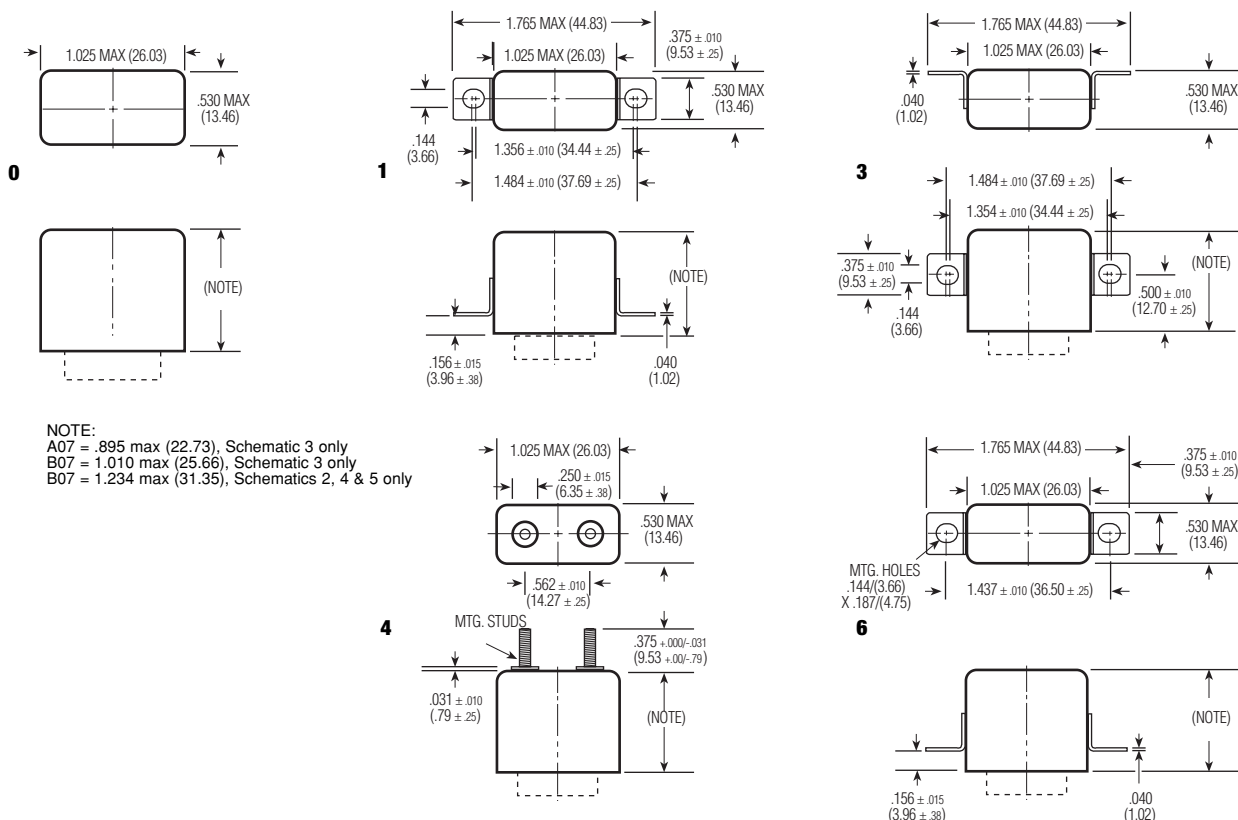
QPL APPROVAL

MIL-R-5757/23
MS 27245
MS 27247



COIL DATA

NOM. COIL VOLTAGE (Vdc)	COIL RESISTANCE IN OHMS ±10% @ 25°C	PICKUP VOLTAGE Vdc (MAX.) @ 25°C	PICKUP VOLTAGE Vdc (MAX.) @ 125°C	DROPOUT VOLTAGE Vdc (MIN.) @ 25°C	DROPOUT VOLTAGE Vdc (MIN.) @ -65°C	NOM. COIL POWER (mW) @ 25°C	MAX. COIL VOLTAGE	COIL DESIG.	ENVIRONMENTAL
6.0	19	3.6	4.5	0.4	0.25	1.89	9.0	AA	TEMPERATURE
12.0	75	7.2	9.0	0.9	0.5	1.92	16.0	AB	-55°C to +85°C
26.5	300	14.4	18.0	1.8	1.0	2.34	32.0	AC	VIBRATION
48.0	1,200	29.0	36.0	3.6	2.0	1.92	52.0	AD	20G's, 10 to 2,000Hz
120.0	7,600	72.0	90.0	9.0	5.0	1.89	122.0	AE	SHOCK
115 Vac 400 Hz	1,200	72.0	90.0	10.0	5.0	n/a	n/a	AR	50G's, 11ms
115 Vac 60-400 Hz	7,600	72.0	90.0	10.0	5.0	n/a	n/a	AS	
6.0	19	3.3	4.5	0.4	0.25	1.89	9.0	BA	TEMPERATURE
12.0	75	6.5	9.0	0.9	0.5	1.92	16.0	BB	-65°C to +125°C
26.5	300	13.0	18.0	1.8	1.0	2.34	32.0	BC	VIBRATION
48.0	1,200	26.0	36.0	3.6	2.0	1.92	52.0	BD	20G's, 10 to 2,000Hz
120.0	7,600	66.0	90.0	9.0	5.0	1.89	122.0	BE	SHOCK
115 Vac 400 Hz	1,200	75.0	90.0	10.0	5.0	n/a	n/a	BR	50G's, 11ms
115 Vac 60-400 Hz	7,600	75.0	90.0	10.0	5.0	n/a	n/a	BS	
6.0	19	3.7	5.0	0.4	0.25	1.89	9.0	CA	TEMPERATURE
12.0	75	7.4	10.0	0.9	0.5	1.92	16.0	CB	-65°C to +125°C
26.5	300	14.7	20.0	1.8	1.0	2.34	32.0	CC	VIBRATION
48.0	1,200	29.4	40.0	3.6	2.0	1.92	52.0	CD	30G's, 10 to 2,000Hz
120.0	7,600	74.0	100.0	9.0	5.0	1.89	122.0	CE	SHOCK
115 Vac 400 Hz	1,200	80.0	100.0	10.0	5.0	n/a	n/a	CR	100G's, 6ms
115 Vac 60-400 Hz	7,600	80.0	100.0	10.0	5.0	n/a	n/a </tr		



07 MOUNTING STYLES

SPECIFYING A PART NUMBER EXAMPLE:

TYPE	RATINGS	MOUNTINGS	SCHEMATIC	TERMINALS	COIL	TESTING
B07	B	3	3	2	BC	1